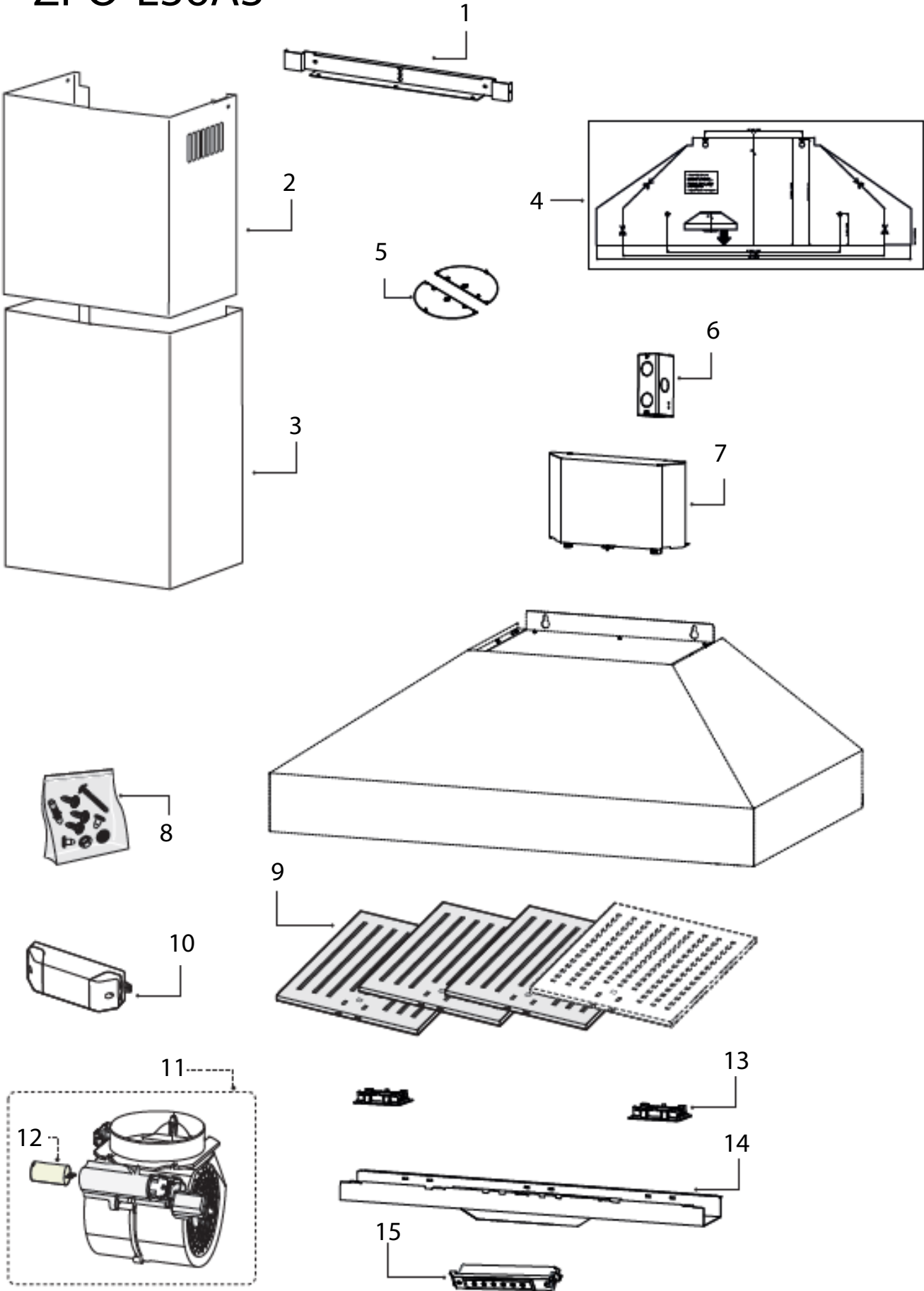


ZPO-E30AS

ZPO-E36AS



ZPO-E30AS, ZPO-E36AS

Ref #	Part #	Description	Qty.
1	54140373	Duct Cover Bracket	1
2	50050223	Upper Duct Cover	1
3	50050222	Lower Duct Cover	1
4	81010014	Paper Template (30")	1
4	81010015	Paper Template (36")	1
5	54060015	6 Inch Round Damper	1
6	56200063	Electrical Junction Box	1
7	11010186	Main Control Board w/Wiring	1
8	05000197	Hardware Packet	1
9	50210051	Hybrid Baffle Filter (30")	2
9	50210045	Hybrid Baffle Filter (36")	2
10	12110023	Transformer	1
11	12120100	Motor	1
12	12050042	Capacitor	1
13	Z0B0051	LED Light	2
14	50110435	Light Panel (30")	1
14	50110436	Light Panel (36")	1
15	11000178	Switch Assembly	1