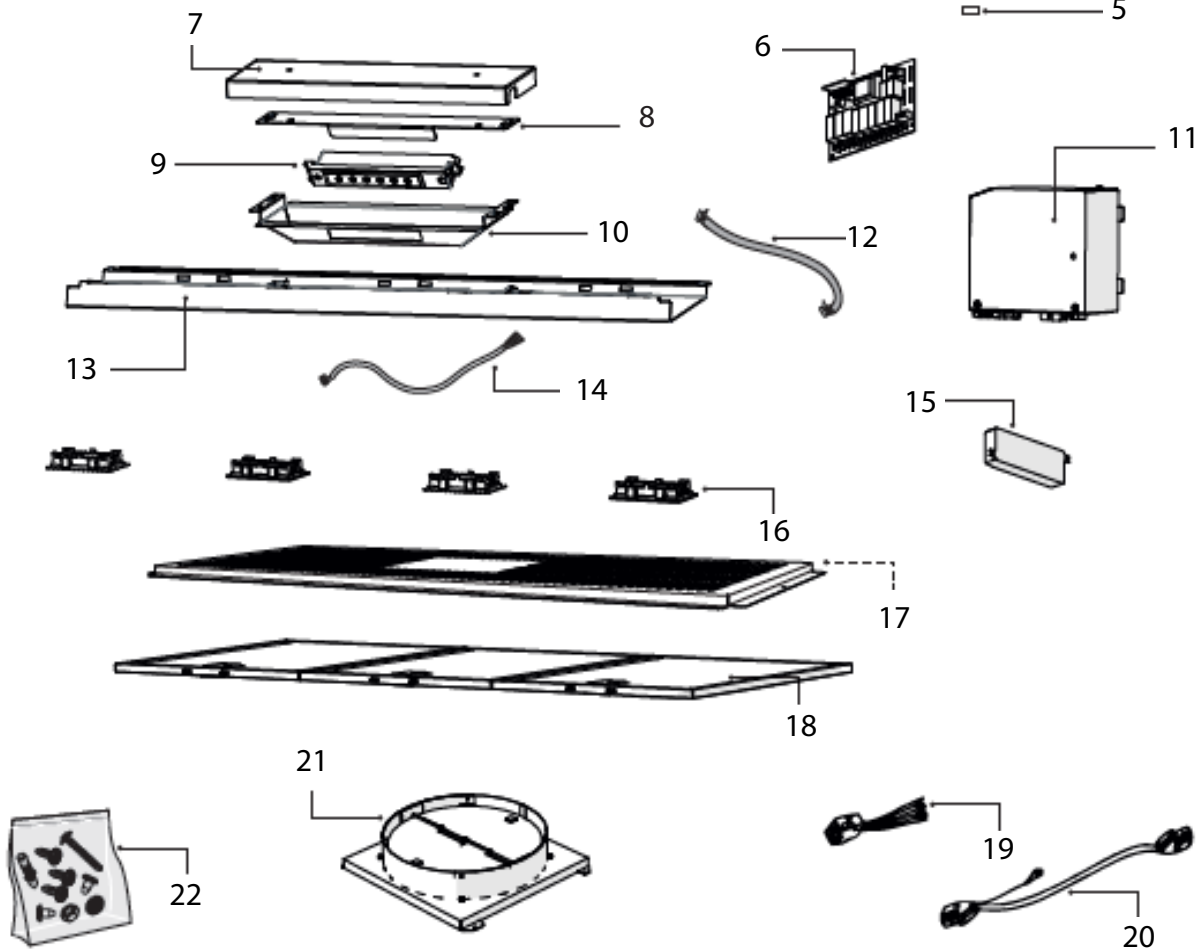
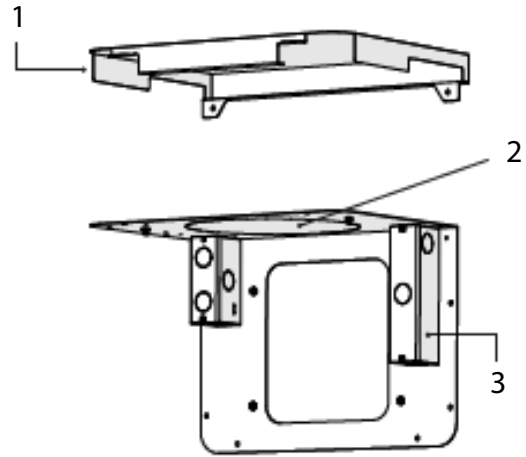
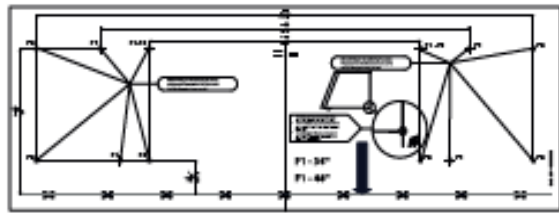


DME-M90ASSX DME-E48ASSX
DME-M90AMBX DME-E48AMBX
DME-M90ASGX DME-E48ASGX



Mesa Wall

**DME-M90AMBX, DME-M90ASGX, DME-M90ASSX
DME-E48AMBX, DME-E48ASGX, DME-E48ASSX**

| Ref # | Part # | Description | Qty. |
|--------------|---------------|----------------------------------|-------------|
| 1 | 56210101 | Top Cover, Matte Black | 1 |
| 1 | 56210102 | Top Cover, Stainless Steel | 1 |
| 1 | 56210103 | Top Cover, Satin Gold | 1 |
| 2 | 54190069 | Blower Plate | 1 |
| 3 | 54200022 | Electrical Junction Box | 1 |
| 3 | 54200023 | Remote Blower Junction Box | 1 |
| 4 | 81010016 | Wall Paper Template | 1 |
| 5 | 01020021 | Accent Rail Cover Screw | 2 |
| 6 | 11010134 | Main Control Board | 1 |
| 7 | 56200114 | Switch Control Inner Housing | 1 |
| 8 | 54140311 | Switch Control Bracket | 1 |
| 9 | 11000161 | Switch Assembly | 1 |
| 10 | 52170086 | Switch Cover, Matte Black | 1 |
| 10 | 52170087 | Switch Cover, Stainless Steel | 1 |
| 10 | 52170088 | Switch Cover, Satin Gold | 1 |
| 11 | 56210096 | PCB Box | 1 |
| 12 | 11030159 | Switch Cable | 1 |
| 13 | 50110341 | Light Panel, DME-M90AMBX | 1 |
| 13 | 50110342 | Light Panel, DME-M90ASSX | 1 |
| 13 | 50110343 | Light Panel, DME-M90ASGX | 1 |
| 13 | 50110437 | Light Panel, DME-E48AMBX | 1 |
| 13 | 50110438 | Light Panel, DME-E48ASSX | 1 |
| 13 | 50110439 | Light Panel, DME-E48ASGX | 1 |
| 14 | 11030164 | LED Light Wiring | 1 |
| 15 | 12110023 | Transformer | 1 |
| 16 | Z0B0051 | LED Light, 5W (48" x 4) | 2 |
| 17 | 50220029 | Safety Grille (48" only) | 1 |
| 18 | 50210045 | Hybrid Baffle Filter (48" x 4) | 3 |
| 19 | 11030157 | Remote Blower Wiring Harness | 1 |
| 20 | 11030158 | Remote Blower Wiring Extension | 1 |
| 21 | 54050086 | 8 Inch Remote Blower Duct Collar | 1 |
| 22 | 05000160 | Hardware Packet | 1 |