

PRESRV™

BEVERAGE  
COOLER

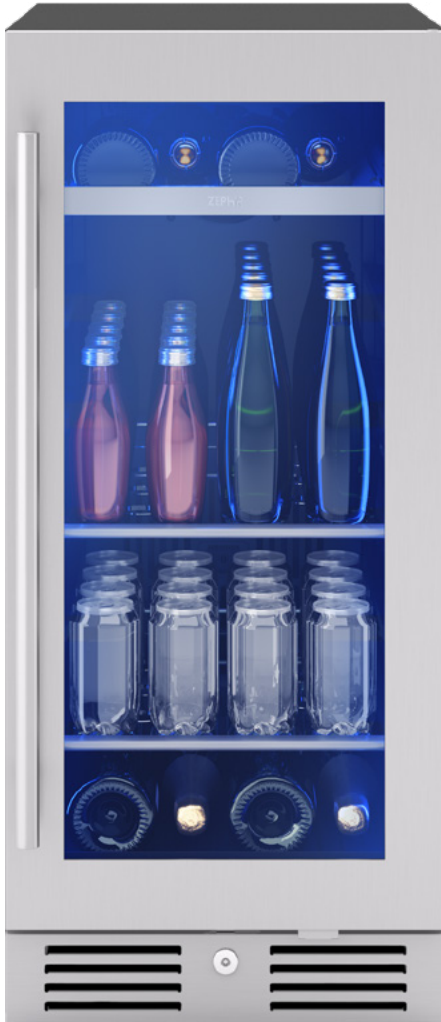
SINGLE ZONE



Always have drinks on hand for guests — or just the family — with our Presrv™ 15" Beverage Cooler. Features such as a Full-Extension Wood Rack to hold your favorite wine and craft brew, PreciseTemp™ temperature control for maintaining accurate

temperatures and Active Cooling Technology to ensure even cooling all add up to the beverage cooler of your dreams. New enhancements include mood-setting LED light strips in three colors and four light levels and an updated kickplate with lock.

**ZEPHYR**  
ZEPHYRONLINE.COM



Full-Extension Wood Rack



Optional Pro Handle

**How Presrv™ Stands Out:**

34°

**PreciseTemp™**  
Multiple internal sensors help maintain accurate temperatures and increase overall performance



**Vibration Dampening System**  
Enhanced technology ensures noise and vibration is reduced to minimize wine disturbance



**Active Cooling Technology**  
An on-board computer controls an active cooling fan to provide temperature stability and even cooling



**3-Color LED Lighting**  
Available in Cloud White, Deep Blue and Amber

**MODEL**

Single Zone Beverage Cooler PRB15C01CG

**Size** 15"  
**Dimensions** 15"W x 33-7/8"H x 23-3/8"D  
**Weight** 88lbs.  
**Installation Type** Compact / Built-in / Freestanding  
**Refrigerant Type** R600a

**FEATURES**

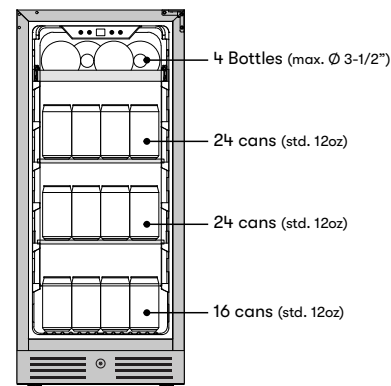
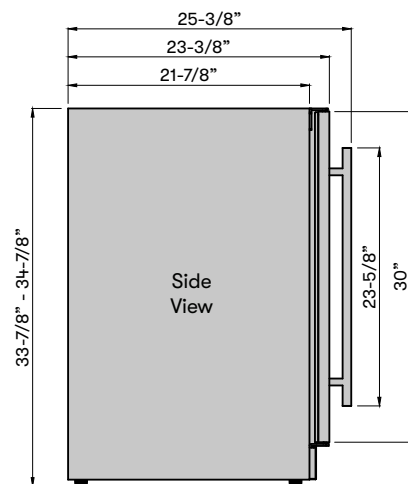
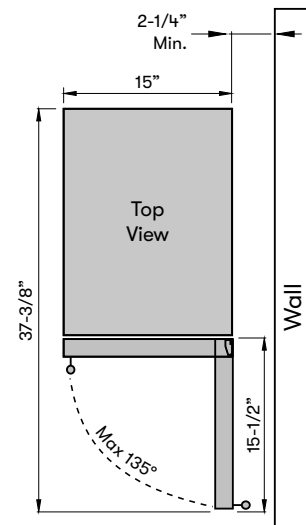
**Capacity** 4 bottles (750 ml), 64 12oz cans  
**Volume** 3.4 cu/ft  
**Temperature Range** 34° - 50° F  
**Sound Level** 39 dBA  
**Door Finish** 304-grade Stainless + Glass  
**Cabinet Finish** Black  
**Interior Finish** Black  
**Field-Reversible Door** Yes  
**Zero-Clearance Door Hinges** Yes, concealed  
**Door Glass** Dual-pane, Low-E Argon-filled\*  
**Shelving - Wood** 1 full-extension, black wood rack w/ stainless trim  
**Shelving - Beverage** 2 adjustable, transparent-gray glass shelves w/ airflow openings  
**Controls** 3-Color Electronic Touch  
**Lighting** 3-Color LED Light Strips  
 Cloud White, Deep Blue, Amber  
**Four Light Levels** Yes  
**Door Open Alarm** Yes, after 3 minutes  
**Door Lock** Yes  
**Sabbath Mode** Yes  
**ENERGY STAR® Certified** Yes  
**Air Filtration** Yes, w/ carbon filter  
**PreciseTemp™** Yes  
**Active Cooling Technology** Yes  
**Vibration Dampening System** Yes

**AC POWER** 115V, 60Hz at Max. 1.5A

**OPTIONAL ACCESSORIES**

**Contemporary Handle** PRHAN-C102 (Brushed Gold)  
**Contemporary Handle** PRHAN-C104 (Matte Black)  
**Pro Handle** PRHAN-C001 (Stainless Steel)  
**Pro Handle** PRHAN-C003 (Brushed Gold)  
**Pro Handle** PRHAN-C004 (Matte Black)

**WARRANTY** 2 years parts, 2 years labor  
 5 years compressor



\*Dual-pane, argon-filled glass improves insulation to minimize heat exchange and increases soundproofing characteristics. The Low-E coating helps minimize the amount of UV and infrared light that passes through the glass door.

**Transforming the Kitchen through Design, Discovery, and Care**

Specifications subject to change, check zephyronline.com for up-to-date information.  
 Zephyr | 2277 Harbor Bay Parkway, Alameda, CA 94502 | 888.880.8368

JUN24.0101

