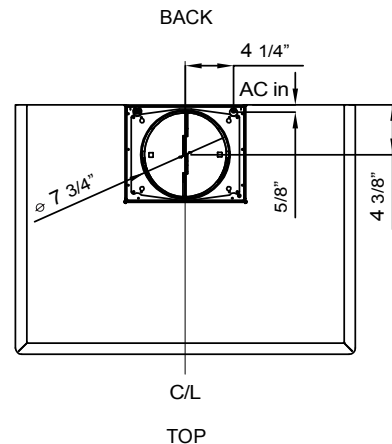
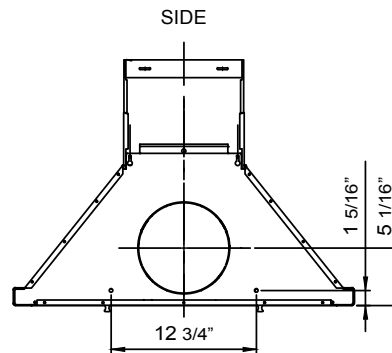
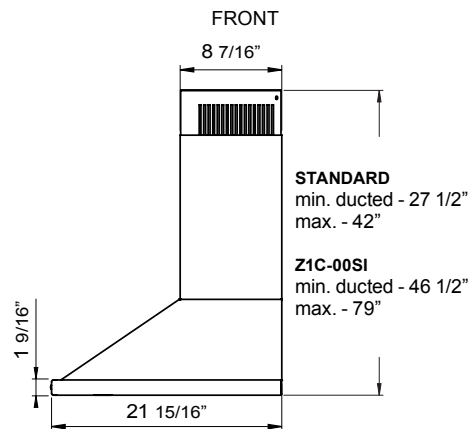
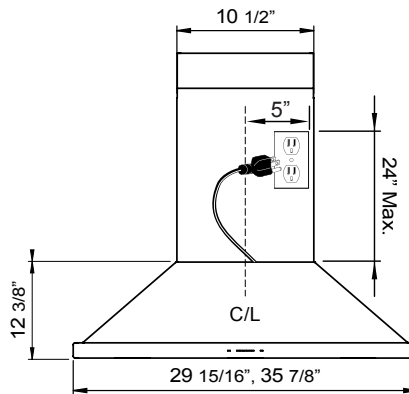




	INTERNAL BLOWER STANDARD	INTERNAL BLOWER with ACT™ AIRFLOW CONTROL TECHNOLOGY™*
Min. - Max. CFM	200 - 400	200 - 290
Min. - Max. Sones	2 - 6.5	2 - 3

\*AIRFLOW CONTROL TECHNOLOGY™ (ACT™) is an exclusive feature built into specific Zephyr hoods which can limit the maximum blower CFM to meet local code requirements.



## MODEL

Stainless Steel	ZSI-E30BS-ES	ZSI-E36BS-ES
Size	30"	36"

## BLOWER PERFORMANCE

Blower CFM (Min. - Max.)	200 - 400	200 - 400
Sones (Min. - Max.)	2 - 6.5	2 - 6.5
ACT 290 CFM (Min. - Max.)	200 - 290	200 - 290

## FEATURES

ENERGY STAR® Certified	Yes	Yes
ACT™ Technology	290	290
Controls	ICON Touch®	ICON Touch®
Speed Levels	5*	5*
Auto Delay-Off	Yes	Yes
Lighting	LumiLight LED, 7W x2	LumiLight LED, 7W x2
Dual-Level Lighting	No	No
Filters	Hybrid Baffle x2	Hybrid Baffle x2
Recirculating Option	No	No
Extension Duct Cover Option	Yes, Up to 12' Ceiling	Yes, Up to 12' Ceiling

## DUCT SPECIFICATIONS

Vertical Internal Blower	8" Round	8" Round
Horizontal Internal Blower	8" Round	8" Round
AC POWER	120V, 60Hz at Max. 1.3A	120V, 60Hz at Max. 1.3A

## OPTIONAL ACCESSORIES

Extension Duct Cover	Z1C-00SI	Z1C-00SI
Stainless Steel Telescopic Backsplash	AK1710	AK1716

MOUNTING HEIGHT RANGE**	24" - 34"	24" - 34"
-------------------------	-----------	-----------

WARRANTY	3 years parts, 1 year labor	3 years parts, 1 year labor
----------	-----------------------------	-----------------------------

CEILING HEIGHT		8'	8.5'	9'	9.5'	10'	10.5'	11'	12'
STANDARD DUCT COVER	Ducted Mounting Height**	24" - 32.5"	24" - 34"	30" - 34"	NA	NA	NA	NA	NA
EXTENSION DUCT COVER	Ducted Mounting Height**	NA	NA	NA	24" - 32"	24" - 34"	24" - 34"	24" - 34"	29" - 34"

\*When ACT™ is enabled the maximum speed levels will change 5 to 3 speeds.

\*\*Mounting height refers to distance between top of a 36" tall cooking surface and bottom of hood.

**ACT™** Airflow Control Technology™ (ACT™) is an exclusive feature built into specific Zephyr hoods which can limit the maximum blower CFM to meet local code requirements.

Specifications subject to change, check zephyronline.com for up-to-date information.  
Zephyr Ventilation | 2277 Harbor Bay Parkway, Alameda, CA 94502 | 888.880.VENT

FEB23.0101

