

PRESRV™

BEVERAGE  
COOLER

SINGLE ZONE

Complete your entertaining lineup with the Presrv™ Panel Ready Beverage Cooler, designed to harmonize seamlessly with your kitchen cabinetry. Featuring a Full-Extension Wood Rack that stores a crowd's worth of refreshments and a convenient

retractable glass quarter-shelf to give you the flexibility to display taller bottles such as water, 2-liter bottles of soda, or champagne. Set the party mood with an illuminated control panel and new vertical LED light strips in three colors and four light levels.

**ZEPHYR**

ZEPHYRONLINE.COM



Shown with overlay panel (not included) and matte black handle (optional accessory)



Full-Extension Wood Rack



Shown with optional solid panel ready door accessory, PRPNLC24A

### How Presrv™ Stands Out:

34°

#### PreciseTemp™

Multiple internal sensors help maintain accurate temperatures and increase overall performance



#### Vibration Dampening System

Enhanced technology ensures noise and vibration is reduced to minimize wine disturbance



#### Active Cooling Technology

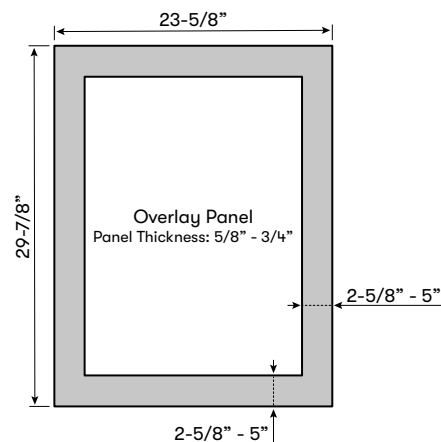
An on-board computer controls an active cooling fan to provide temperature stability and even cooling



#### 3-Color LED Lighting

Available in Cloud White, Deep Blue and Amber

### Overlay Panel Dimensions - panel not included



**MODEL**

Single Zone Beverage Cooler PRB24C01CPG

**Size** 24"  
**Dimensions** 23-7/8"W x 33-7/8"H x 23-3/4"D\*  
**Weight** 110lbs.  
**Installation Type** Compact / Built-in / Freestanding  
**Refrigerant Type** R600a

**FEATURES**

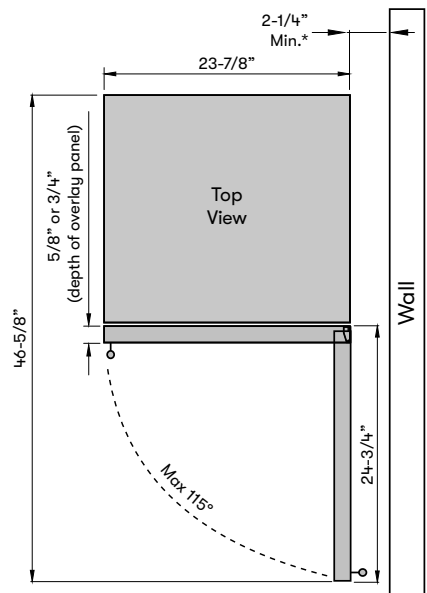
**Capacity** 7 bottles (750 ml), 108 12oz cans or 13 bottles (750 ml), 80 12oz cans  
**Volume** 5.6 cu/ft  
**Temperature Range** 34° - 50° F  
**Sound Level** 39 dBA  
**Door Finish** Panel Ready + Glass  
**Cabinet Finish** Black  
**Interior Finish** Black  
**Field-Reversible Door** Yes  
**Zero-Clearance Door Hinges** Yes  
**Door Glass** Dual-pane, Low-E Argon-filled  
**Shelving - Wood** 1 full-extension, black wood rack  
**Shelving - Beverage** 1 adjustable, transparent-gray glass retractable quarter-shelf  
**Controls** 3-Color Electronic Touch  
**Lighting** 3-Color LED Light Strips  
 Cloud White, Deep Blue, Amber  
**Four Light Levels** Yes  
**Panel Ready** Yes, 5/8" or 3/4" thickness (panel not included)  
**Door Open Alarm** Yes, after 3 minutes  
**Door Lock** Yes  
**Sabbath Mode** Yes  
**Air Filtration** Yes, w/ carbon filter  
**PreciseTemp™** Yes  
**Active Cooling Technology** Yes  
**Vibration Dampening System** Yes

**AC POWER** 115V, 60Hz at Max. 1.5A

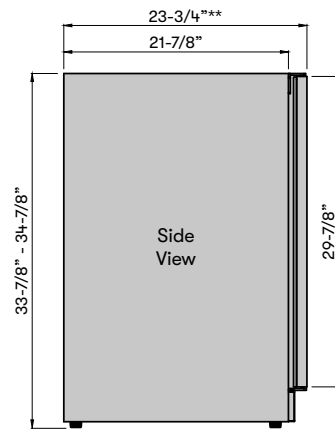
**OPTIONAL ACCESSORIES**

**Contemporary Handle** PRHAN-C101 (Stainless Steel)  
**Contemporary Handle** PRHAN-C102 (Brushed Gold)  
**Contemporary Handle** PRHAN-C104 (Matte Black)  
**Pro Handle** PRHAN-C001 (Stainless Steel)  
**Pro Handle** PRHAN-C003 (Brushed Gold)  
**Pro Handle** PRHAN-C004 (Matte Black)  
**Solid Panel Ready Door\*\*** PRPNLC24A  
**Glass Shelf** 50150027  
**Adjustable Drink Caddy** PRDC-C03

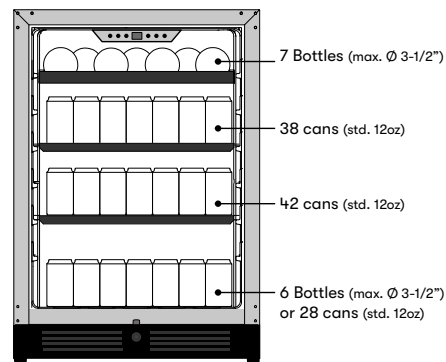
**WARRANTY** 2 years parts, 2 years labor  
 5 years compressor



\*When using an optional Zephyr handle



\*\*Depth with 3/4" thick overlay panel



\*Depth dimension based on 3/4" thick panel

\*\*Prefer a solid door panel? We've got you covered. Purchase the solid panel ready door, pictured on page 1, for a more integrated installation. See solid panel ready door spec for more information.

**Transforming the Kitchen through Design, Discovery, and Care**

Specifications subject to change, check zephyronline.com for up-to-date information.  
 Zephyr | 2277 Harbor Bay Parkway, Alameda, CA 94502 | 888.880.8368

