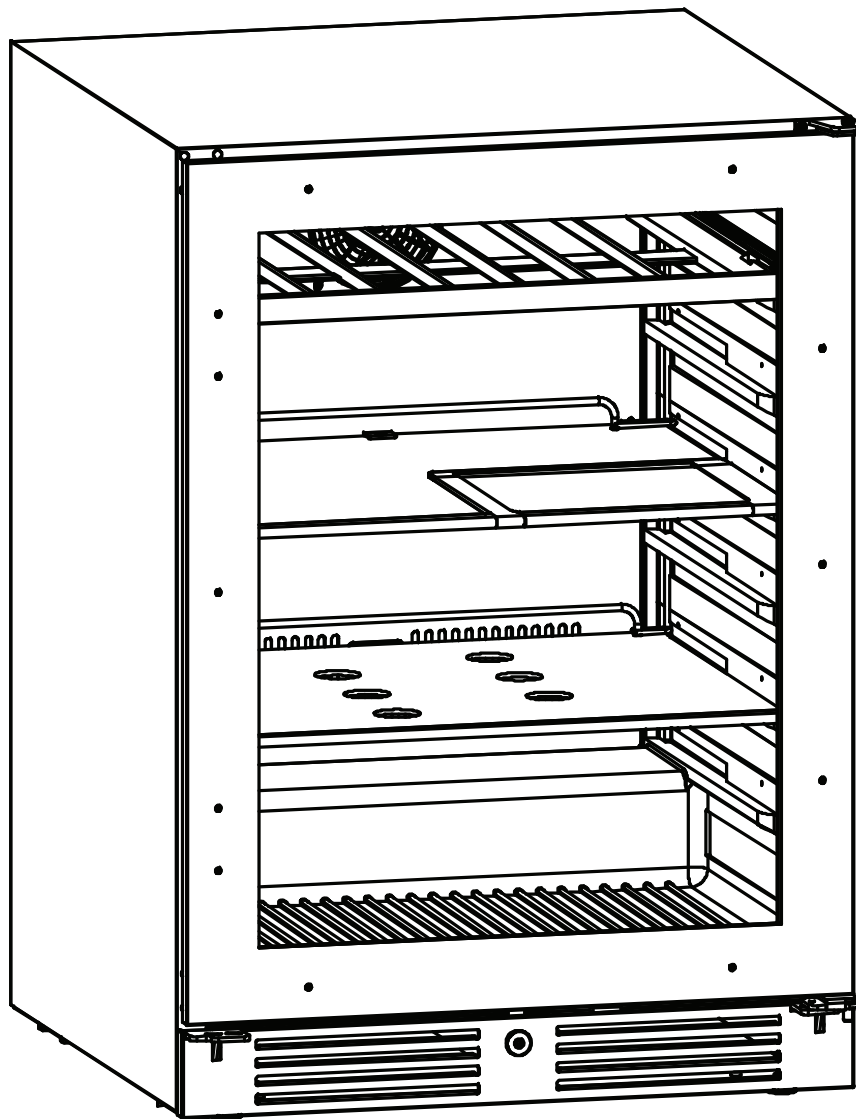


## PRB24C01CPG

Presrv™ Single Zone Panel Ready Beverage Cooler

EN Use, Care, and Installation Guide

FR Guide d'utilisation, d'entretien et d'installation





---

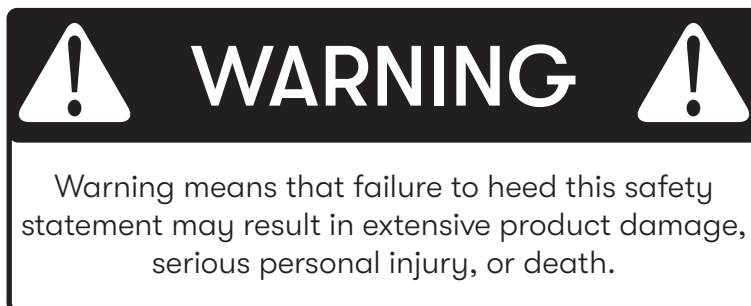
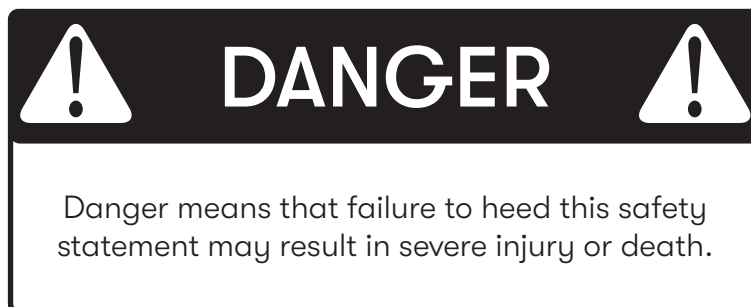
	Page
<b>Safety Information</b> .....	<b>4-11</b>
Types of Safety Warnings.....	4
General Safety .....	5-7
Save These Instructions .....	8
Disposal of Old Appliance.....	8
Before Using Your Appliance .....	9
Installation of Your Appliance .....	9-10
Attention.....	10
Electrical Connection .....	11
<b>Introduction</b> .....	<b>12</b>
<b>List of Materials</b> .....	<b>13</b>
<b>Product Specifications</b> .....	<b>14-17</b>
Product Summary .....	14
Internal Storage.....	14
Parts Identification .....	15
Dimensions .....	16-17
<b>Installation Instructions</b> .....	<b>18-28</b>
Installation Clearance Requirements .....	18
Carbon Filter .....	19
Installing the Anti-Tip Bracket .....	19
Installing the Overlay Panel.....	20
Installing the Handle.....	21
Reversing the Door Swing of Your Appliance .....	22-23
Installing the Wooden Roll-Out Shelves .....	24
Removing the Wooden Roll-Out Shelves .....	24
Removing the Glass Shelves .....	25
Retractable Glass Quarter Shelf Installation.....	26-27
Using the Retractable Glass Quarter Shelf .....	28
<b>Operating Your Appliance</b> .....	<b>29-32</b>
Using the Control Panel.....	29
Internal Light .....	30
Display Brightness.....	30
Door Open Alarm.....	30
Sabbath Mode.....	31
Demonstration Mode .....	31
Temperature Alarm .....	31
Defrosting.....	32
Child Safety Lock .....	32
<b>Care and Maintenance</b> .....	<b>33-34</b>
Normal Sounds .....	33
Cleaning the Unit .....	33
Power Failure .....	34
Moving Your Beverage Cooler .....	34
Energy Saving Tips .....	34
<b>Troubleshooting</b> .....	<b>35-36</b>
<b>Limited Warranty</b> .....	<b>37</b>
<b>Product Registration</b> .....	<b>38</b>

**Your safety and the safety of others are very important.**

We have provided many important safety messages in this manual for your appliance. Always read and obey all safety messages.





This is the Safety Alert Symbol. This symbol alerts you to potential hazards that can cause severe bodily injury or death. All safety messages will follow the Safety Alert Symbol and either the words “DANGER” “WARNING” or “CAUTION”





For your safety, read all instructions carefully before operating the appliance.

## General Safety

 **DANGER** 

When using an electrical appliance, basic precautions should always be followed to reduce the risk of fire, electric shock, and injury to persons.

 **WARNING** 

To reduce the risk of fire, electric shock or personal injury, unplug or disconnect the appliance from the power supply before servicing.

 **CAUTION** 

Flammable refrigerant used! When handling, moving and use of the refrigerator, make sure to avoid either damaging the refrigerant tubing, or increasing the risk of a leak.

- ▶ Use this appliance only as described in this manual. Other uses not recommended may cause fire, electric shock or personal injury.
- ▶ This appliance is not intended for use by young children or infirm persons unless they have been adequately supervised by a responsible person to ensure that they can use the appliance safely.
- ▶ Young children should be supervised to ensure that they never play with the appliance.
- ▶ To protect against the risk of electric shock, NEVER IMMERSE the unit, cord, or plug in water or spray any other liquid.
- ▶ Unplug the appliance from the plug socket when not in use, when moving from one location to another and before cleaning.

# Safety Information

**For your safety, read all instructions carefully before operating the appliance.**

- ▶ To disconnect the appliance, grip the plug and pull it from the wall outlet. Never pull by the cord.
- ▶ Never operate the appliance in the presence of explosive and/or flammable fumes.
- ▶ Never place the appliance or any of its parts near an open flame, cooking or other heating appliance.
- ▶ Never operate the appliance with a damaged cord or plug, if the product malfunctions, or if it is dropped or damaged in any manner.
- ▶ The use of attachments not recommended by the manufacturer may be hazardous.
- ▶ Never operate if the housing is removed or damaged.
- ▶ A loose fit between the AC outlet (receptacle) and plug may cause overheating and a distortion of the plug. Contact a qualified electrician to replace loose or worn outlet.



- ▶ Locate the unit away from direct sunlight and sources of heat (stove, heater, radiator, etc.).
- ▶ This appliance is CFC and HFC free and contains small quantities of Isobutane (R600a), an environmentally friendly coolant.
- ▶ You must ensure that the cooling circuit is undamaged when installing the appliance. However, if it becomes damaged, avoid proximity to open fires and heat sources of all kinds. The room in which the appliance is located should be ventilated properly and according to state and local codes.
- ▶ Never use an appliance with a damaged circuit.
- ▶ Ensure that the ventilation openings to and from a built-in appliance are never blocked or covered.
- ▶ No liability will be accepted for any damage caused by misuse of the appliance, or as a result of repairs carried out by unqualified person. In this case neither the warranty nor any other liability claims will apply.

For your safety, read all instructions carefully before operating the appliance.



- ▶ Never attempt to repair or replace any part of your appliance unless it is specifically recommended in this manual. All other servicing should be referred to a qualified technician.
- ▶ Replace all access panels before operating.
- ▶ Use two or more people to move and install the appliance. Failure to do so can result in back or other injury.
- ▶ Never clean appliance parts with flammable liquids. These fumes can create a fire hazard or explosion. Never store or use gasoline or other flammable vapors and liquids in the vicinity of this or any other appliance. The fumes can create a fire hazard or explosion.
- ▶ Never connect or disconnect the electric plug with wet hands.
- ▶ It is recommended that a separate circuit, serving only your appliance be provided. Use receptacles that cannot be turned off by a switch or pull chain.



For your safety, read all instructions carefully before operating the appliance.

## Save These Instructions

If you are experiencing problems, check the Troubleshooting Guide at the back of this manual. It lists causes of minor operating problems that you can correct yourself.

## Disposal of Old Appliance

Dispose of your appliance packaging properly. Refrigeration equipment must be properly disposed of in a way which protects the environment. This applies to your old appliance and to your new unit once it has reached the end of its service life.



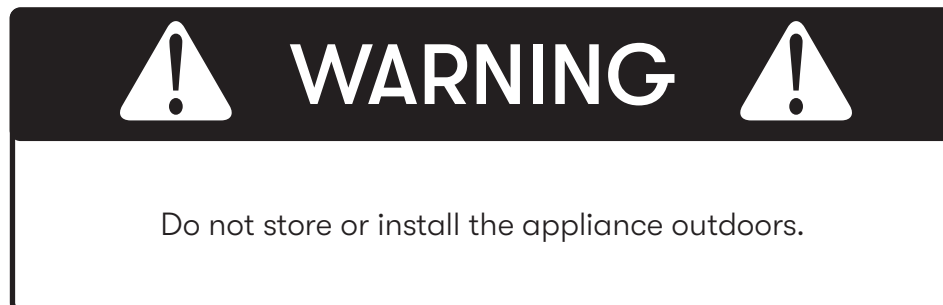
- ▶ The appliance must not be disposed with normal household waste collection.
- ▶ The coolant circuit, particularly the heat exchange at the back/bottom of the unit, must not be damaged.
- ▶ The symbol on the product or its packaging indicates that this product is not to be handled as normal household waste but is to be taken to a recycling collection point for electrical and electronic goods. By correctly disposing of this product you are contributing to the protection of the environment. Improper disposal endangers health and the environment. Further information about the recycling of the product may be obtained from your town hall or local waste collection department.

For your safety, read all instructions carefully before operating the appliance.

## Before Using Your Appliance

- ▶ Remove all exterior and interior packing.
- ▶ Before connecting the appliance to the power source, let it stand upright for approximately 2 hours. This will reduce the possibility of a malfunction in the cooling system caused by handling during transportation.
- ▶ Clean the interior surface with warm water using a soft cloth.
- ▶ The door on this appliance can be opened from either the left or the right side. The unit is delivered with the door opening on the left side. Should you wish to open the door from the right, follow the instructions, “Reversing the Door Swing of your Appliance,” listed below.

## Installation of Your Appliance



- ▶ The appliances are designed for either built-in, or free-standing installation.
- ▶ Place your appliance on a floor that is strong enough to support it when it is fully loaded. To level your appliance, adjust the 4 legs until level.
- ▶ Locate the appliance away from direct sunlight and sources of heat (stove, heater, radiator, etc.). Direct sunlight may affect the acrylic coating and heat sources may increase electrical consumption. Extreme cold ambient temperatures may also cause the unit not to perform properly.
- ▶ Never place the unit in damp areas.
- ▶ Plug the appliance into an exclusive, easily accessible electrical socket.
- ▶ Any questions concerning power and/or electrical connection should be directed towards a qualified electrician or an authorized products service center.
- ▶ The air vent at the front of the appliance must never be covered or blocked in any way.

# Safety Information

---

**For your safety, read all instructions carefully before operating the appliance.**

- ▶ The appliance must be installed to all electrical connections in accordance with state and local codes.
- ▶ Use two or more people to move and install the beverage cooler. Failure to do so can result in back or other injury.
- ▶ The cooler may experience decreased cooling efficiency if air flow is restricted due to a fully loaded cabinet.
- ▶ Install the beverage cooler in a well-ventilated area where the ambient temperature is above 50°F and below 90°F.

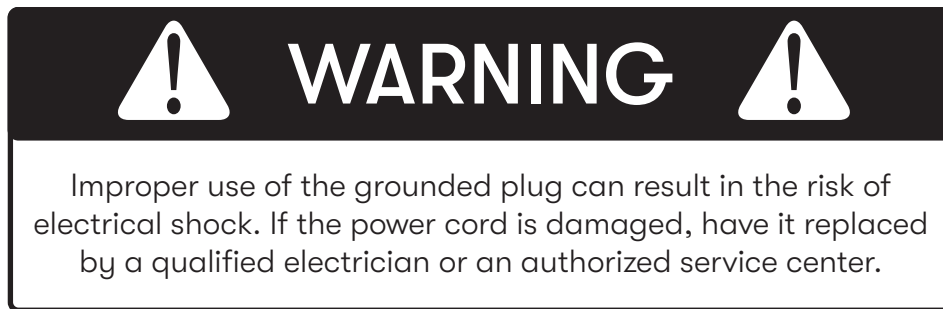
## Attention

- ▶ Never overload the cabinet.
- ▶ Never open the door unless necessary.
- ▶ Never cover shelves with aluminum foil or any other shelf material which may prevent air circulation.
- ▶ Should the appliance be left empty for long periods, it is suggested that the appliance be unplugged, and, after careful cleaning, leave the door ajar to allow air to circulate inside the cabinet in order to avoid possible condensation, mold or odors from forming.

For your safety, read all instructions carefully before operating the appliance.

## Electrical Connection

Check that the voltage marked on the product corresponds with your supply voltage.



This appliance should be properly grounded for your safety. The power cord of this appliance is equipped with a three-pin plug which mates with standard three-pin wall outlets to minimize the possibility of electrical shock.

Never under any circumstances cut or remove the third ground prong from the power cord supplied. For personal safety, this appliance must be properly grounded.

Have the wall outlet and circuit checked by a qualified electrician to make sure the outlet is properly grounded. When a standard two-pin wall outlet is encountered, it is your responsibility and obligation to have it replaced with a properly grounded three-pin wall outlet.

To prevent accidental injury, the cord should be secured behind the appliance and not left exposed or dangling.

The appliance should always be plugged into its own individual electrical outlet which has a voltage rating that matches the rating label on the appliance. This provides the best performance and also prevent overloading wiring circuits that could cause a fire hazard from overheating. Never unplug the appliance by pulling the power cord. Always grip the plug firmly and pull straight out from the receptacle. Repair or replace immediately all power cords that have become frayed or otherwise damaged. Never use a cord that shows cracks or abrasion damage along its length or at either end. When moving the appliance, be careful not to damage the power cord.

Never use your appliance with an extension cord unless this cord has been checked and tested by a qualified technician or service person. The extension cord must be a UL/CUL Listed, 3-wire grounding extension cord that has a grounding plug and outlet and that the electrical rating of the cord is 115 volts and at least 10 amperes.

# Introduction

---

Thank you for purchasing your Zephyr beverage cooler. Zephyr is dedicated to developing products that will enhance your lifestyle with superior quality and distinctive features. Please visit [www.zephyronline.com](http://www.zephyronline.com) for more information on your product and other Zephyr products.

This manual contains important information regarding the proper installation, use, and maintenance of your beverage cooler. Following this manual will ensure that your product will work at its peak performance and efficiency.

## **For Your Records**

Please write down the model number and serial number below for future reference. Both numbers are located on the rating label on the back of your unit and inside the the unit towards the bottom of the cabinet and are needed to obtain warranty service. You may also want to staple your receipt to this manual as it is the proof of your purchase and may also be needed for service under warranty.

**Model Number:**

**Serial Number:**

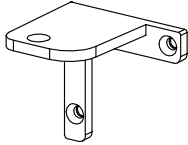
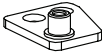
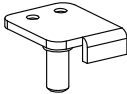
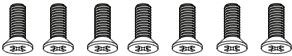
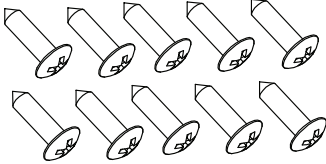
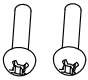


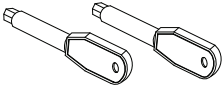
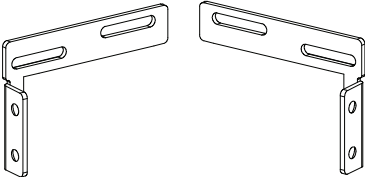


**Date of Purchase:**

To better serve you, please do the following before contacting customer service:

If you received a damaged product, immediately contact the retailer or dealer that sold you the product.

- ▶ Read and follow this instruction manual carefully to help you install, use and maintain your beverage cooler.
- ▶ Read the troubleshooting section of this manual as it will help you diagnose and solve common issues.
- ▶ Visit us on the web at <http://www.zephyronline.com> to download product guides, additional troubleshooting resources and up-to-date information.
- ▶ If you need warranty service, our friendly customer service representatives are available on our website at <http://zephyronline.com/contact>.



Quantity	Part
	Reversible door hinge bracket
	Upper door axis
	Lower door axis
	Countersunk screws (M4*12)
	Self-tapping screws (ST4*30)
	Door handle screws (M4*40)
	Flat washers (Φ4.3*Φ8*0.5, M4)
	Black decorative nails
	Keys
	Anti-tip brackets
Left side	
Right side	
	Self-tapping screws (ST4*12)
	Flathead screws (M4*12)

# Product Specifications

## Product Summary

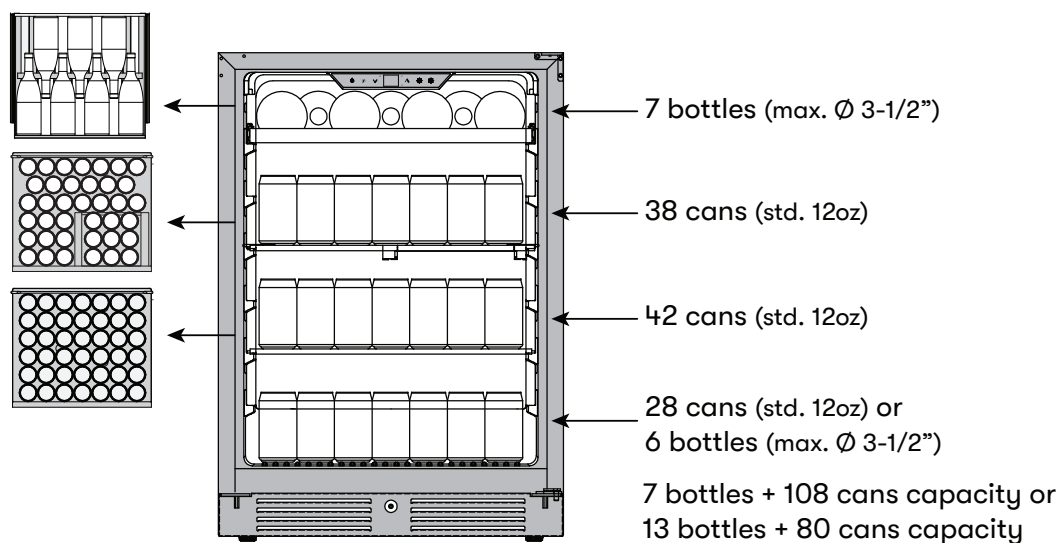
This appliance requires a standard 115/120 Volt AC~60Hz electrical ground outlet.

DESCRIPTION OF PRODUCT	Presrv Single Zone Panel Ready Beverage Cooler
MODEL	PRB24C01CPG
VOLTAGE/FREQUENCY	AC 115/60Hz
AMPERAGE	1.5A
COLOR	Black Cabinet with Black Panel Ready Door
STORAGE CAPACITY*	(7) 750ml bottles + (108) 12oz cans or (13) 750ml bottles + (80) 12oz cans
REFRIGERANT	R600a
TEMPERATURE RANGE	34°F - 50°F
DIMENSIONS (HxWxD)	33-7/8" X 23-7/8" X 23-3/4"
GROSS WEIGHT (lb)	121lb
WEIGHT CAPACITY - STANDARD GLASS SHELF (lb)	66lb
OPTIONAL ADDITIONAL RETRACTABLE GLASS SHELF	50150016
OPTIONAL PRO HANDLE ACCESSORY	PRHAN-C001
OPTIONAL CONTEMPORARY HANDLE ACCESSORY, STAINLESS STEEL	PRHAN-C101
OPTIONAL CONTEMPORARY HANDLE ACCESSORY, BRUSHED GOLD	PRHAN-C102
OPTIONAL CONTEMPORARY HANDLE ACCESSORY, MATTE BLACK	PRHAN-C104
REPLACEMENT CARBON FILTER	Z0F-C004

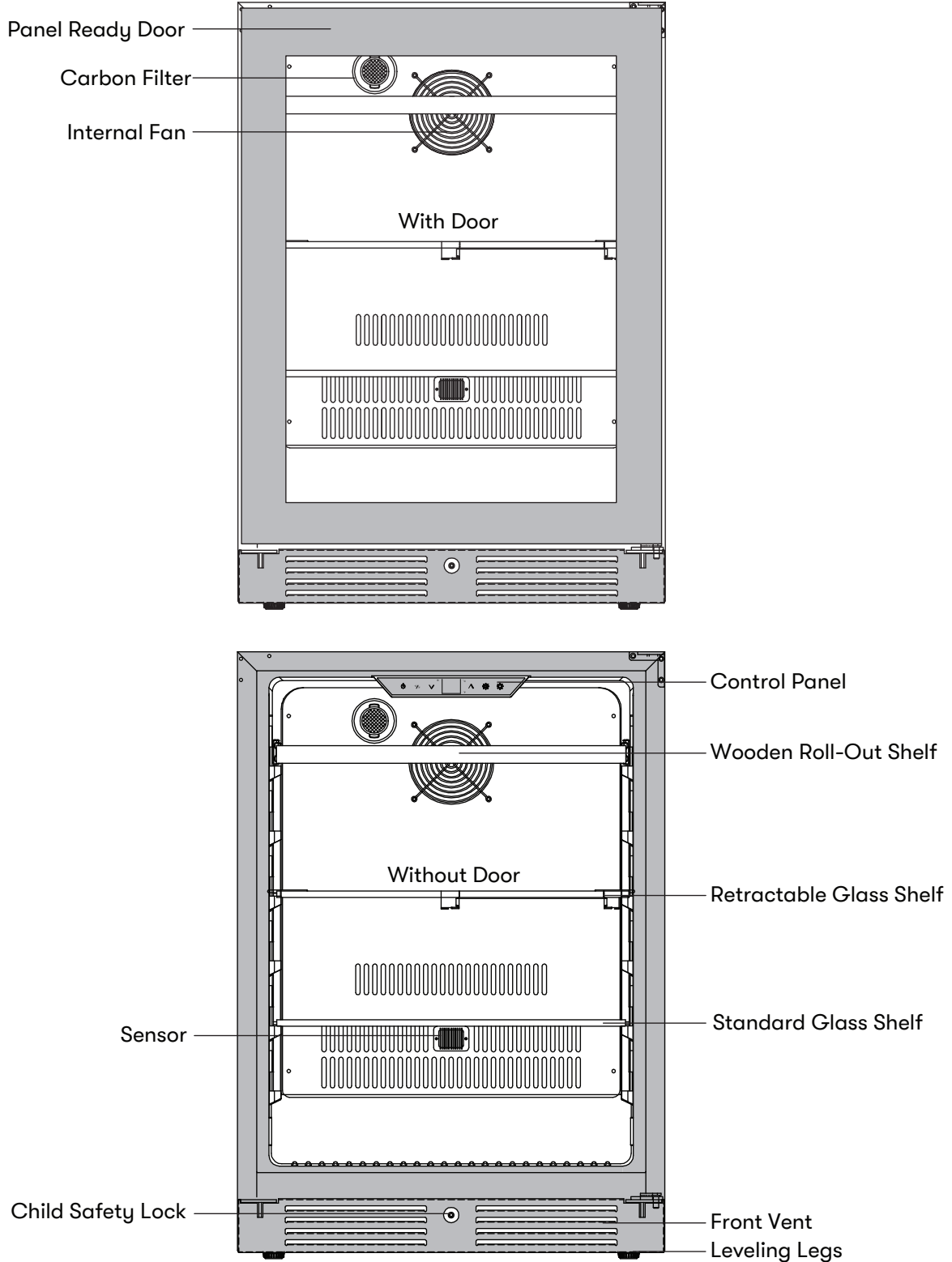
\*Storage capacity is based on standard 12 oz. cans and 750 ml. Bordeaux-style wine bottles.

**NOTE:** Depth provided includes a 3/4" overlay panel.

## Internal Storage

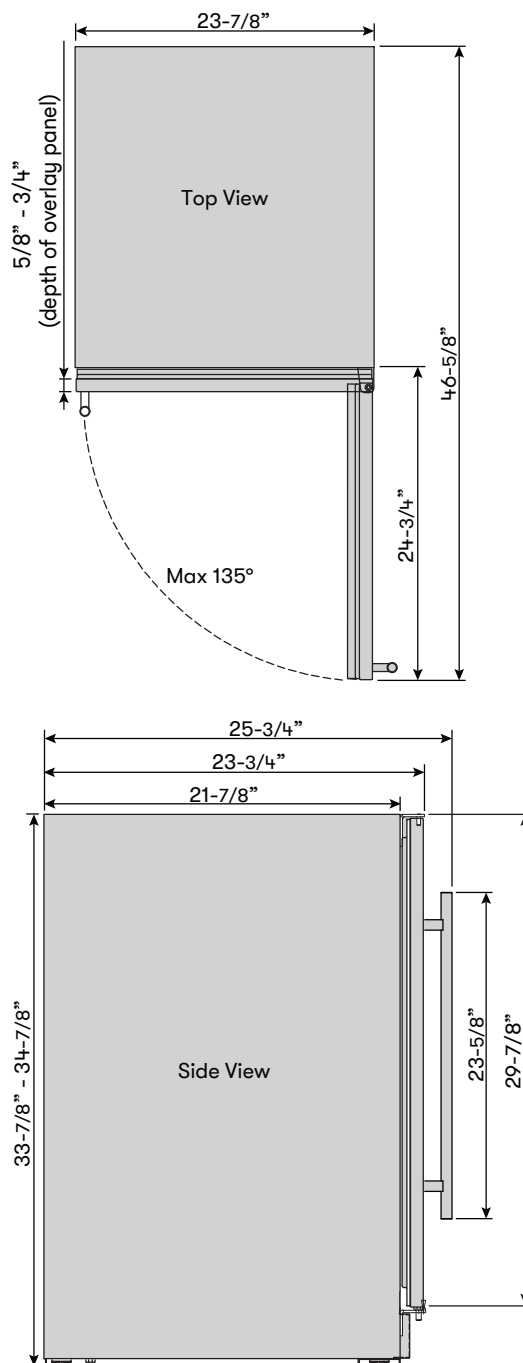


## Parts Identification



# Product Specifications

## Dimensions

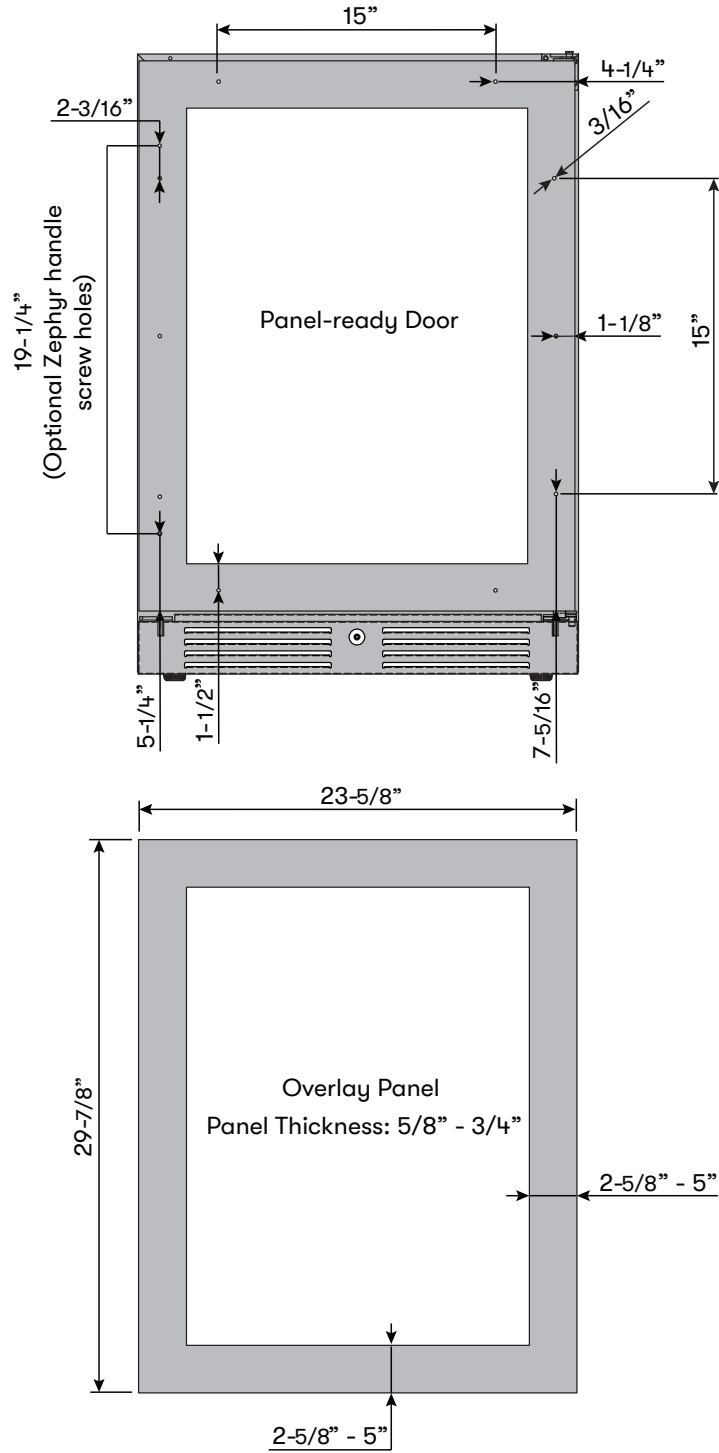


**NOTE:** Cabinet depth provided includes a  $3/4\text{'}$  overlay panel.

**NOTE:** A screw is present on the top hinge of the unit, adding an additional  $1/8\text{'}$  to the height of the cooler. If installing cooler flush with cabinet fronts, additional clearance may be needed.

**NOTE:** Handle dimensions listed are for the optional Zephyr handles, sold separately.

## Dimensions



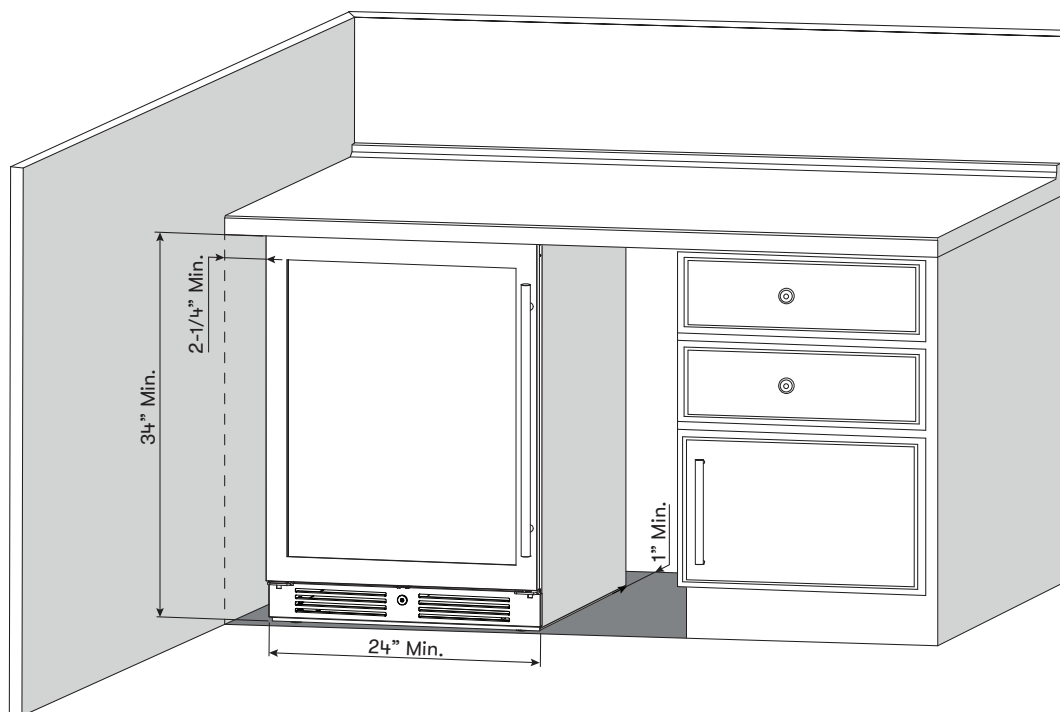
**NOTE:** Compatible with framed overlay panels only.

# Installation Instructions

## Installation Clearance Requirements

When installing the beverage cooler under a counter, follow the recommended spacing dimensions shown.

- ▶ If the cooler is flush-mounted with the front of the cabinets, an additional 1/8" cabinet height clearance will be required.
- ▶ For proper clearance of the electrical plug, allow at least 1" of clearance at the back as shown in the diagram.
- ▶ An installation next to a wall will require a minimum 2-1/4" door clearance to accommodate the Zephyr handle. If a custom handle is used, the dimensions will need to be measured accordingly based on the handle dimensions.
- ▶ The cabinet should allow at least 24" for the width and 34" for the height to accommodate the wine cooler.
- ▶ The power cable is located on the back right of the unit and has a length of 72" to accommodate multiple outlet locations.
- ▶ Once you are ready to install the unit, you must adjust the feet to level the wine cooler.
- ▶ This refrigerator can be fully built-in to cabinetry and does not require any additional clearances besides what is referenced below.
- ▶ The installation should allow the unit to be pulled forward for servicing, if necessary.

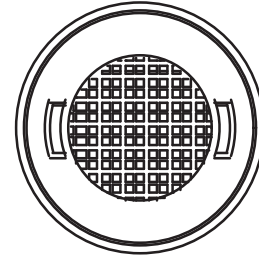


## Carbon Filter

A built-in carbon filter protects your beverages by acting as a natural barrier against harmful odors. The carbon filter should be replaced every 3-6 months depending on the unit's exposure level to odor. If the unit is placed in a kitchen, regular replacement every three months is ideal.

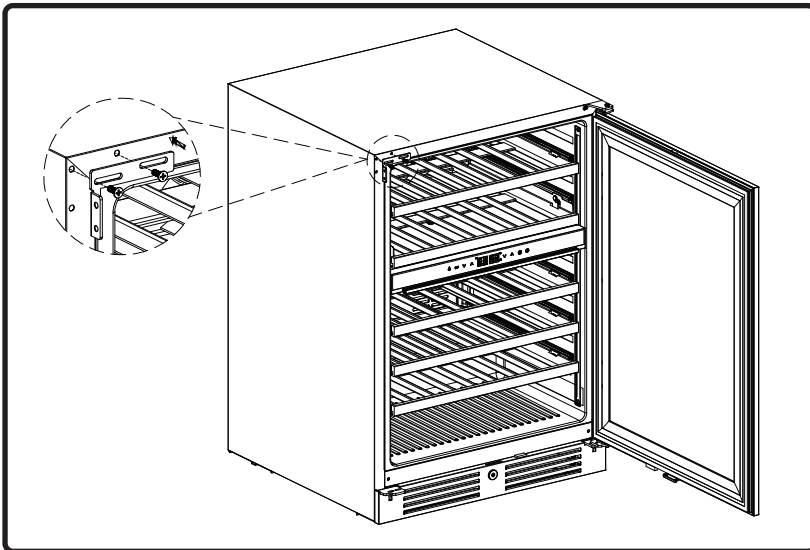
Remove the carbon filter by turning counterclockwise to unlock from rear panel.

**Carbon Filter Replacement Part #: Z0F-C004**

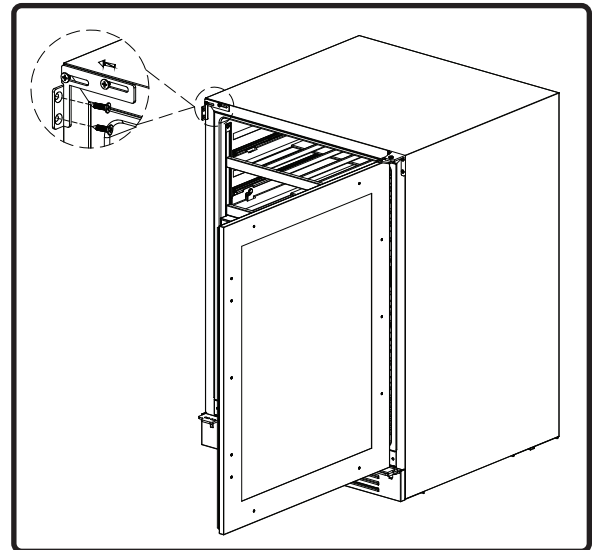


## Installing the Anti-Tip Bracket

To install the anti-tip bracket, please follow the instructions below. The anti-tip bracket prevents the cooler from tipping, moving side-to-side, and forwards and backwards. This allows the cooler to maintain its position so the overlay panel remains properly aligned with the cabinet doors. Two anti-tip brackets are available to accommodate either the left or right side, depending on the door hinge location.



1. Open the door and pry off the black decorative nails. Place the anti-tip bracket on the cooler and secure with (2) M4\*12 flathead screws.

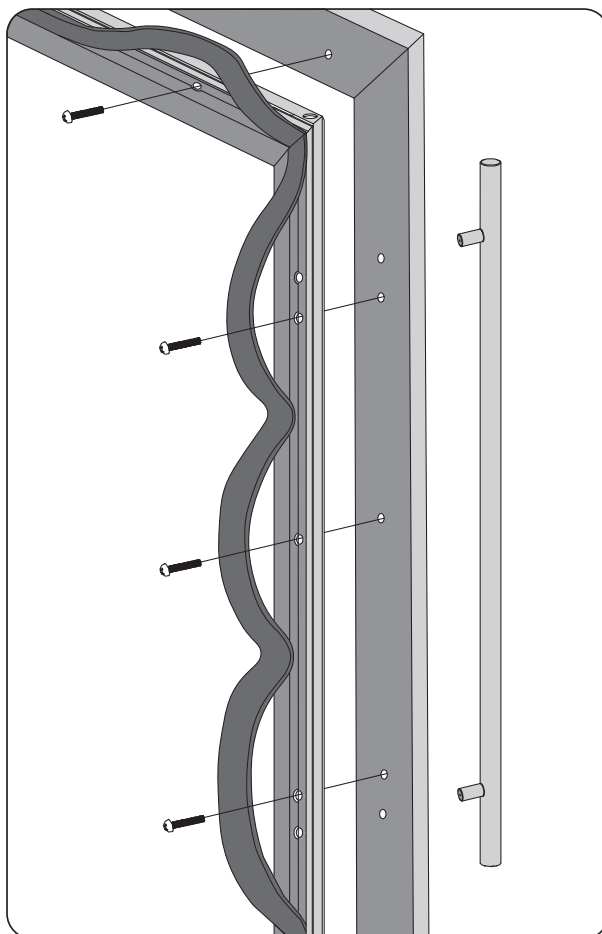


2. Push the cooler into the desired location for installation. Open the door and install the anti-tip bracket onto the cabinet with (2) ST4\*12 self-tapping screws.

# Installation Instructions

## Installing the Overlay Panel

To install the overlay panel onto the door, please follow the instructions below. Refer to the dimensions page to ensure proper measurements prior to installation.



1. Open the door.
2. Temporarily remove the door gasket to see the 10 holes for the overlay panel. There are 2 holes on the top and bottom sides of the door with either 3 or 5 holes on the left and right side depending on where the handle is located. The handle side will have 5 holes.
3. Open the hardware package containing 10 self-tapping screws (ST4\*30 size) for the overlay panel.
4. Clamp the overlay panel with the door firmly with bar clamps and screw the self-tapping screws into the overlay panel. Perform this step per screw until the overlay panel is completely secured.
5. Reattach the door gasket and close the door.

**NOTE:** If handles will be installed, thread 2 pre-installed screws onto the overlay panel and refer to Installing the Handle instructions. If they will not be installed, remove the screws from the door.

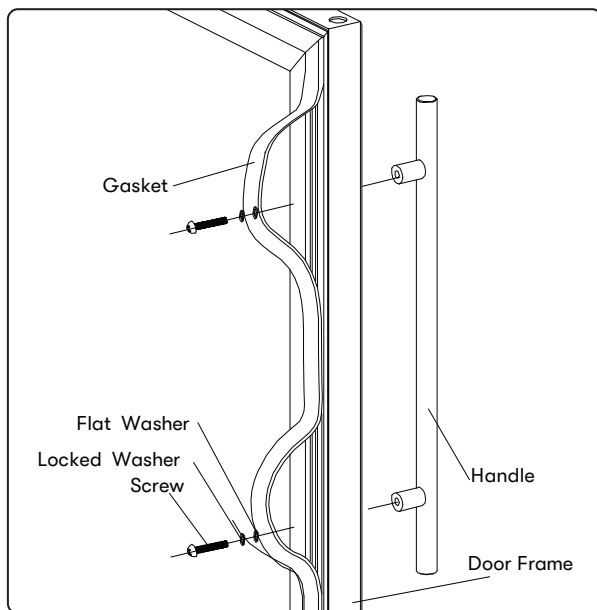


## Installing the Handle

If optional contemporary or pro handles are desired, refer below for the part numbers.

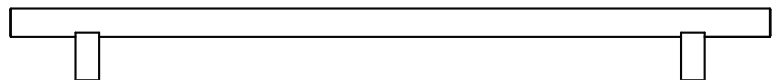
1. Confirm if the overlay panel has already been installed onto the unit. If not, refer to Overlay Panel Installation to mount the overlay panel onto the unit.
2. Push aside the door gasket. Under the gasket you will see two designated holes for handle installation. Mark handle hole locations on the overlay panel.
3. Remove overlay panel from door. Using 3/16" drill bit, create holes for handle screws.
4. Re-install overlay panel on the door.
5. Install the handle tightly as shown with two 1-1/2" machine screws.

**NOTE:** If using a custom handle, install the handle in the position of your choosing with counter sunk screw holes prior to installing the overlay panel to door.



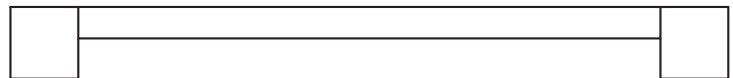
### Zephyr Presrv Contemporary Handles

- |                    |                        |
|--------------------|------------------------|
| Part #: PRHAN-C101 | Color: Stainless Steel |
| Part #: PRHAN-C102 | Color: Brushed Gold    |
| Part #: PRHAN-C104 | Color: Matte Black     |



### Zephyr Presrv Pro Handle

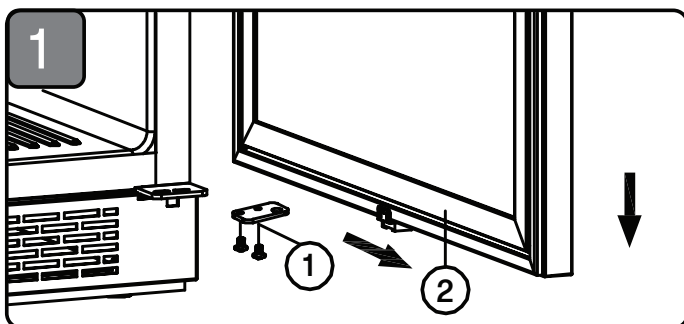
- |                    |                        |
|--------------------|------------------------|
| Part #: PRHAN-C001 | Color: Stainless Steel |
|--------------------|------------------------|



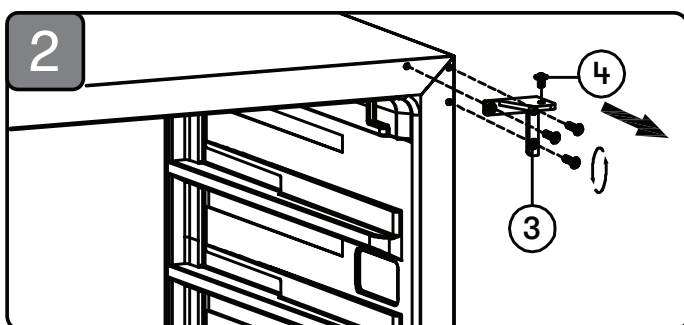
# Installation Instructions

## Reversing the Door Swing of Your Appliance

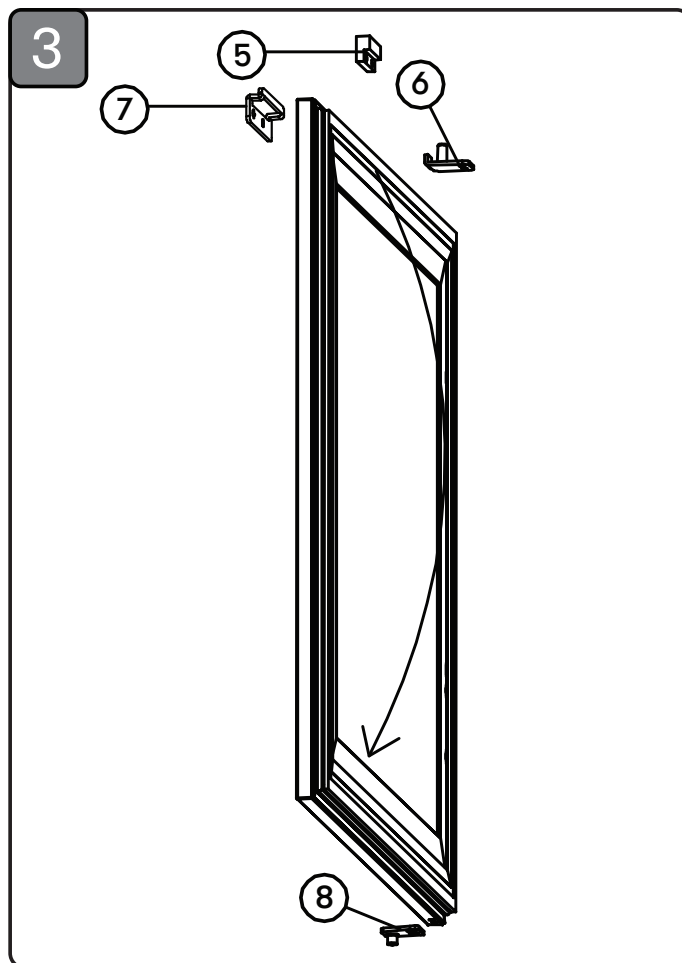
Should you desire to reverse the opening direction of the door, please follow the instructions below. Safely reversing the door swing of your appliance should require at least two people.



1. Remove the 2 screws from the lower door axis (1) and remove a top screw on top of the hinge (4). Then remove the door (2) and remove the axis plate (1) from the door.

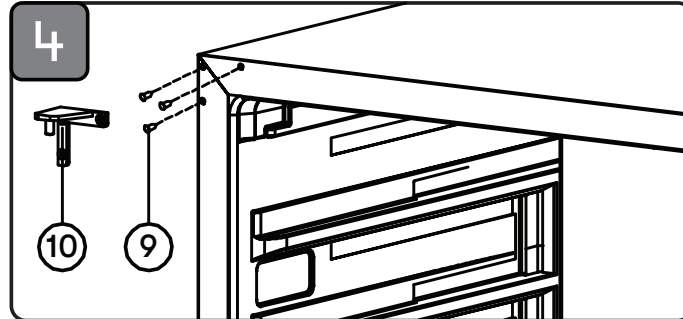


2. Remove the 3 hinge screws from the top right hinge (3) and remove the top right hinge.

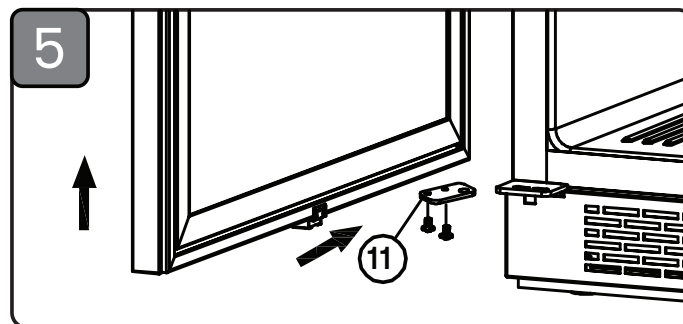


3. Remove the door magnet (5), door stopper (6), and child safety lock catch (7) by 2 screws each. Remove 2 screws from upper door axis (8) mounted on top of the door and remove it. Then, install the door magnet and child safety lock catch on the opposite side of the door frame. Take out the new upper door axis and door stopper from the hardware package and install them with 2 screws. Rotate the door 180 degrees.

## Reversing the Door Swing of Your Appliance



4. Remove the 3 black decorative nails (9) from the top left of the cabinet. Install the black decorative covers to the top right of the cabinet and install the new top hinge (10) from the hardware package that includes the installation manual at the top left of the cabinet with 3 screws.



5. Install the lower door axis (11) and install the door once correctly aligned. Secure the door with the top screw on top of the hinge (4).

# Installation Instructions

- ▶ To prevent damaging the door or door gasket, make sure the door is open at least 90-degrees when pulling shelves out of the rail compartment.
- ▶ The door opens to a maximum of 135 degrees with a door stop on the bottom hinge preventing the door from opening further. If the unit is flush-mounted with adjacent cabinetry, the door opens to 120 degrees.
- ▶ Use caution when opening the door so adjacent cabinetry will not be damaged.

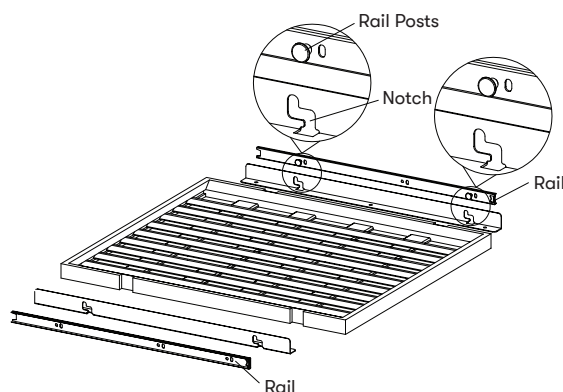
## Installing the Wooden Roll-Out Shelves

1. Open the door completely.
2. Line up the shelf notches with the rail posts on both the right and left sides.
3. Push the shelf down and then push it all the way inwards until the shelf fully rests inside of the unit and you are able to close the door.
4. The shelf should glide smoothly back and forth. If it does not, you may need to remove it and start over.

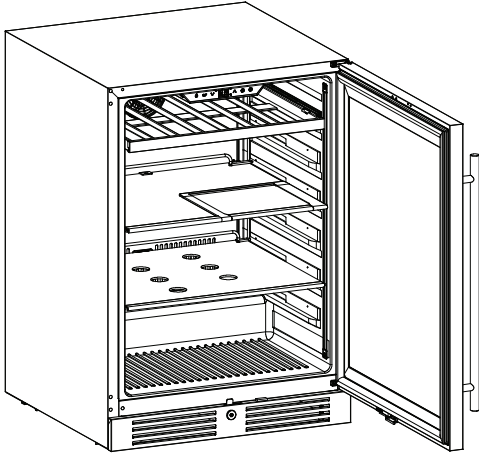
**TIP:** To prevent damaging the door gasket, make sure to open the door fully before pulling the shelves out of their track.

## Removing the Wooden Roll-Out Shelves

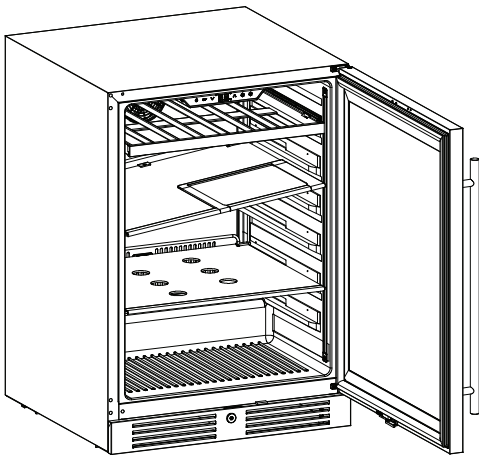
1. Open the door completely.
2. Remove all of the contents loaded on the shelf, if applicable.
3. Line up the shelf notches with the rail posts as indicated below. This will require you to hold on to both rails as you move the shelf to line up the posts with the notches on both sides of the shelf.
4. Evenly lift the shelf up and then pull the shelf out.



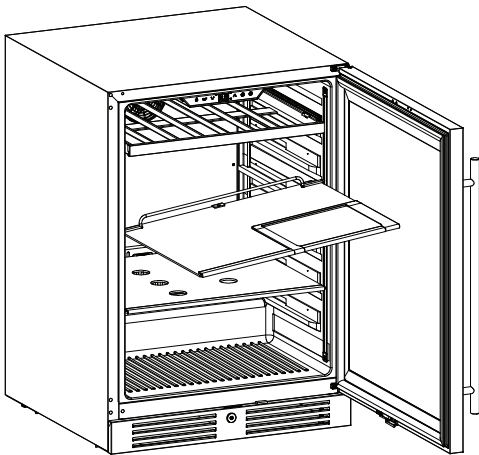
## Removing the Glass Shelves



1. Open the door completely unload any content within the beverage cooler. Make sure the shelf is pushed back completely.



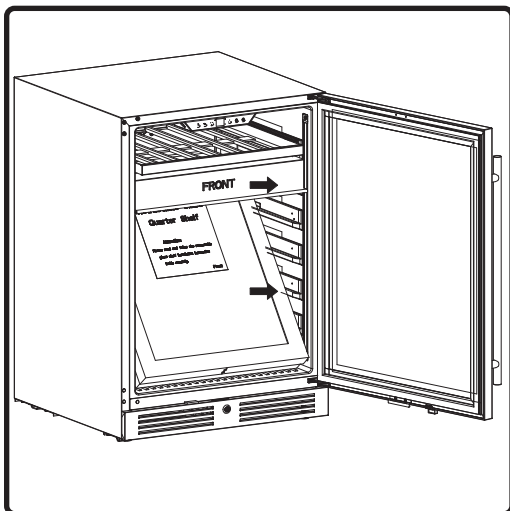
2. Lift either the left or right side of the shelf to create a 45° angle from its original position. Make sure not to lift either side of the shelf too hard as it may come in contact with the inner wall mount.



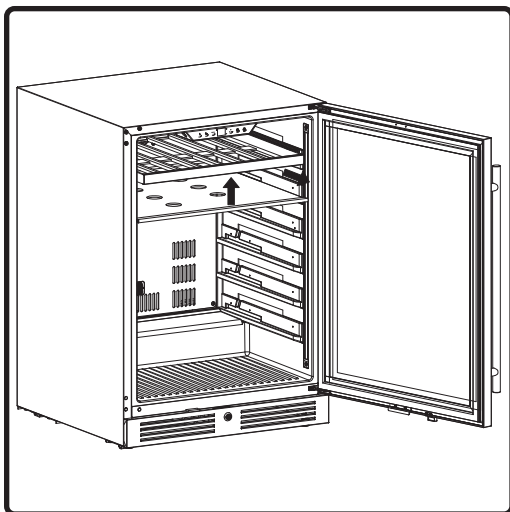
3. Pull the shelf outward until it is removed from the inner compartment. You may encounter some resistance from the shelf guard rail.

# Installation Instructions

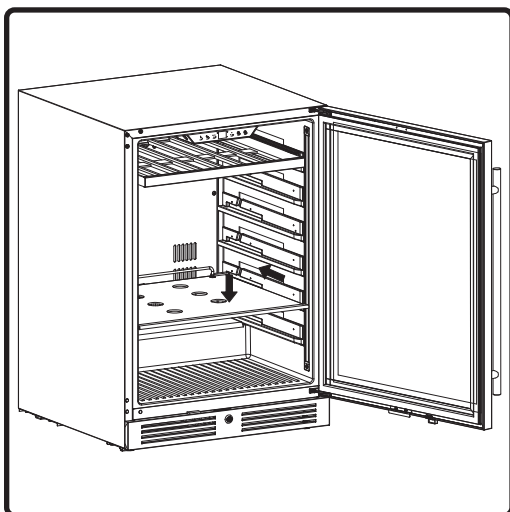
## Retractable Glass Quarter Shelf Installation



1. Remove foam from the regular glass shelf. Remove the box containing the retractable glass quarter shelf.

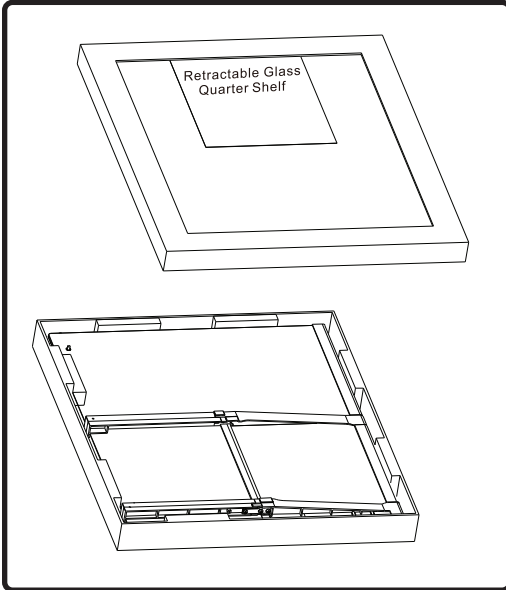


2. Lift either the left or right side of the shelf to create a 45° angle from its original position and pull the shelf outward.

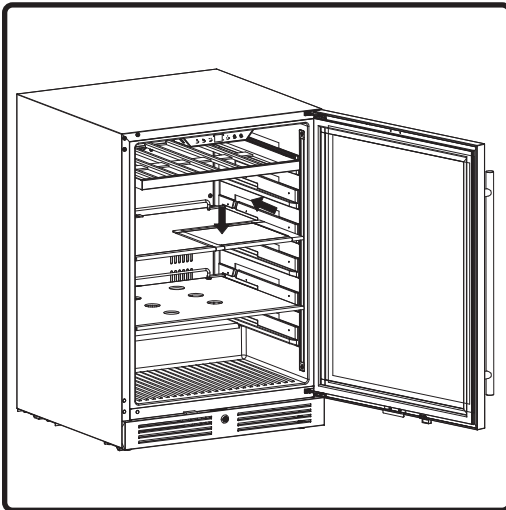


3. Relocate the regular glass shelf to one of the bottom two ledges. Make sure the shelf is completely pushed back.

## Retractable Glass Quarter Shelf Installation



4. Remove retractable glass quarter shelf from the packaging.



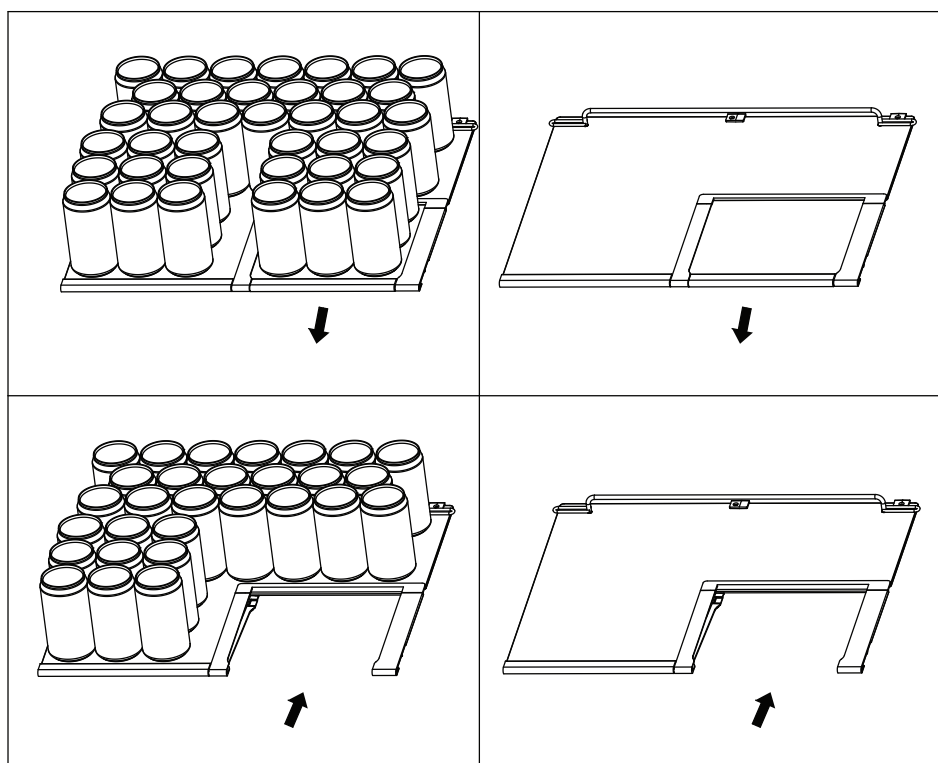
5. Carefully install the retractable glass quarter shelf in the desired position.



# Installation Instructions

## Using the Retractable Glass Quarter Shelf

One of the glass shelves consists of a retractable quarter shelf which will allow you to place bottles upright allowing storage of tall bottles and open containers. The storage capacity may be reduced when using the retractable quarter shelf.

1. Open the door completely.
2. Remove any drinks from the front right quarter of the shelf. Lift up on the front right edge of the shelf and gently pull out then push down and in to retract the glass shelf. Bottles can now be placed upright in the new space.
3. To close the right quarter of the shelf, follow step 2 in reverse and make sure the glass is stable before placing any drinks on the glass.



 **CAUTION** 

Max weight capacity of the retractable glass quarter shelf section is 7.7lb. Exceeding this weight may damage the quarter shelf.









If the unit is unplugged, power lost, or turned off, you must wait 3 to 5 minutes before restarting the unit. If you attempt to restart before this time delay, the appliance may not start and will not keep the last set temperature.

## Using the Control Panel



This beverage cooler has a temperature range from 34°F-50°F.

-  **Power Button**  
Press and hold this button for three seconds to power your unit on or off. While the unit is on, the R “Compressor Running” light may illuminate to indicate the internal compressor is active. After powering off, all button lights will stay off. Once any button is touched, the power button will illuminate for five seconds.
-  **°C/°F Selector**  
Press this button to switch the display temperature between Fahrenheit and Celsius.
-  **Decrease Temperature**  
Press this button to decrease the temperature by one (1) degree increments. Holding this button will continuously decrease the temperature. 34°F is the lowest available temperature on this unit.
-  **Increase Temperature**  
Press this button to increase the temperature by one (1) degree increments. Holding this button will continuously increase the temperature. 50°F is the highest available temperature on this unit.
-  **Light Brightness**  
Press this button to cycle through different internal light brightness. The brightness increases from L0 to L1, L2, L3, and L4, and it will decrease from L4 to L0. When at L0, the lights will not turn on whether the door is opened or closed.
-  **Interior Light**  
Press this button to cycle through the different internal light settings. There are three light settings: Cloud White, Deep Blue and Amber.

**NOTE:** The beverage cooler is equipped with a memory function. If power is suddenly lost, the previous set temperature, color, and brightness will be saved, and the cooler will return to this setting once power is restored.

# Operating Your Appliance

## Internal Light

This refrigerator is equipped with side internal lights that can be set to Cloud White, Deep Blue or Amber. Because the unit comes with a glass door, the inside will be seen whether the door is open or closed.

You can choose to display each color of light in two different modes: Display Mode and Automatic Mode by pressing and holding the Light Brightness button for 3 seconds. Display Mode will be signaled by showing “LN” on the display, and Automatic Mode will show “LF” on the display.

### Automatic Mode: LF

The internal lights will illuminate each time the door is opened and fade off after the door is closed. This is the default lighting mode. This feature is triggered by a sensor located on the front vent that recognizes when the door is open or closed.

### Display Mode: LN

The internal lights will remain illuminated whether the door is open or closed. The brightness will be based on your brightness setting when the door is closed, but will change to the highest brightness setting upon opening the door. This is a user-enabled lighting mode and will use more energy.

## Display Brightness

The brightness of the controls can be adjusted by holding the °C/°F button and tapping the Light Brightness button. The brightness will increase when cycling from b1 to b2, b3, and b4, and it will decrease from b4 directly to b1.

Press and hold the Interior Light button for 3 seconds to switch between “CF” mode and “CN” mode. The display will show “CF” meaning the controls will remain on when the door is open, but it will fade off in 15 seconds when the door closes. The display will show “CN” meaning the controls will remain on regardless of the door being open or closed.

## Door Open Alarm

After 3 minutes of the door being open an alarm will sound and the display will flash with 00.

## Sabbath Mode

Sabbath mode disables system responses to user-initiated activities and all external functions, including lighting, display and audible alarms. The unit will still maintain internal temperatures and set points.

To enable or disable Sabbath mode, press and hold the °C/°F button for 5 seconds. The interior light and control display will go dark, excluding the °C/°F button, until the user disables Sabbath mode. Upon entering and exiting Sabbath mode, the internal light setting will automatically switch back to Automatic Mode.

**NOTE:** Although the display will not be visible, the temperature settings will remain active and preserve the internal temperature. Sabbath mode will remain active until it is disabled by the user.

## Demonstration Mode

In this mode, the compressor and fans never turn on but all other functions remain enabled. When in Demonstration Mode, the “R” indicator light will slowly blink indicating it is in Demonstration Mode.

To enable or disable Demonstration mode, hold Power Button and tap Decrease Temperature Button twice.

## Temperature Alarm

If the interior temperature is higher than 73°F (23°C), “HI” is shown on the temperature control panel and the temperature alarm will sound continuously after one hour. This indicates that the inner temperature is too high. If the inner temperature is lower than 25°F (-4°C), “LO” is shown on the temperature display panel and the temperature alarm will sound continuously after 15 minutes. If one of these situations occur, please reference the troubleshooting section for support.

# Operating Your Appliance

## Defrosting

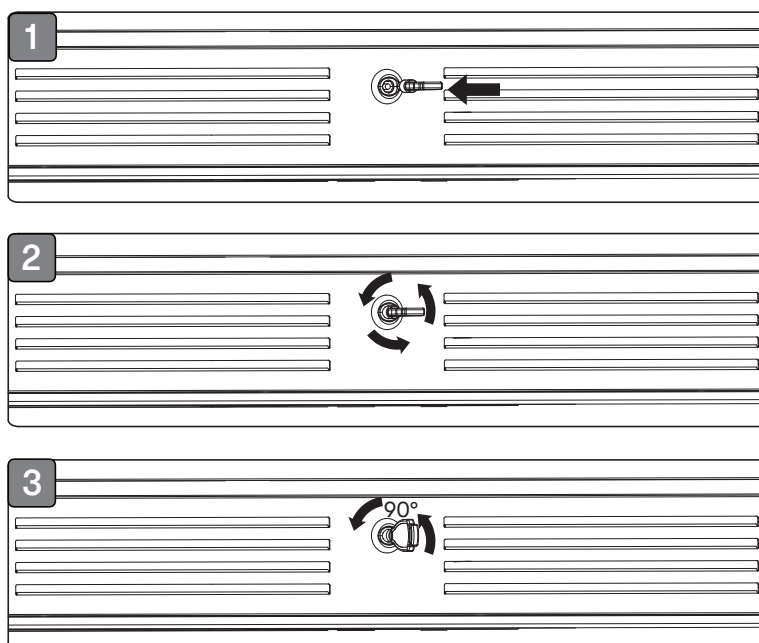
The beverage cooler is designed with an automatic defrost system. However, on colder settings, some frost may build up. Additionally, the more humid the ambient conditions, the more frost may build up. Keep the door closed as much as possible and avoid opening the door unnecessarily to minimize frost build-up.

If frost is preventing the door from closing properly, you may need to power the unit off until the frost melts (possibly up to 24 hours). Use a soft absorbent towel to dry the unit.



## Child Safety Lock

The beverage cooler has a child safety lock designed to keep beverages within the cooler out of reach for children. Within the center of the front vent, a keyhole will be visible. To lock the beverage cooler, insert the provided key into the keyhole and turn the key counterclockwise. To unlock the beverage cooler, turn the key clockwise.



## Normal Sounds

Your new beverage cooler may make sounds that are not familiar to you. Most of the new sounds are normal. Hard surfaces like the floor or walls can make the sounds seem louder than they actually are. The following describes the kinds of sounds that might be new to you and what may be making them.

- ▶ Rattling noises may come from the flow of the refrigerant or the water line.
- ▶ Items stored on top of the beverage cooler can also make noises.
- ▶ The high efficiency compressor may make a pulsating or high-pitched sound.
- ▶ Water running from the evaporator to the water bin may make a splashing sound.
- ▶ As each cycle ends, you may hear a gurgling sound due to the refrigerant flowing in your beverage cooler.
- ▶ You may hear air being forced over the condenser by the condenser fan.

## Cleaning the Unit

Periodic cleaning and proper maintenance will ensure efficiency, top performance, and long life.

### Interior Cleaning

1. Disconnect power to the unit.
2. Open the door and remove the contents and shelves.
3. With a clean cloth, wipe down the interior of the unit.
4. Reinsert the shelves and beverages.
5. Reconnect power to the unit.

### Exterior Cleaning

The door and cabinet may be cleaned with a mild detergent and lukewarm water solution such as two (2) tablespoons of baking soda to one (1) quart of water. Do not use solvent based or abrasive cleaners. Use a soft sponge and rinse with clean water. Wipe with a soft clean towel to prevent water spotting. If the door panel is stainless steel, it can discolor when exposed to chlorine gas and moisture. Clean stainless steel with a cloth dampened with a mild detergent and warm water solution. Never use an abrasive or caustic cleaning agent.

# Care and Maintenance

---

## Power Failure

Most power failures are corrected within a few hours and should not affect the temperature of your appliance if you minimize the number of times the door is opened. If the power is going to be off for a longer period of time, you need to take the proper steps to protect your contents.

## Moving Your Beverage Cooler

- ▶ Remove all items.
- ▶ Securely tape down all loose items (shelves) inside your appliance.
- ▶ Turn the adjustable leg all the way up (clockwise) to the base to avoid damage.
- ▶ Tape the door shut.
- ▶ Be sure the appliance stays secure in the upright position during transportation. Also protect outside of appliance with a blanket, or similar item.

## Energy Saving Tips

- ▶ The appliance should be located in the coolest area of the room, away from heat producing appliances, and out of the direct sunlight.
- ▶ Ensure that the unit is adequately ventilated. Never cover air vents.
- ▶ Only open the door for as long as necessary.

Possible Problem	Possible Cause	Solutions
The appliance does not operate.	Not plugged in.	Ensure the appliance is plugged in and the power outlet has power.
	The appliance is turned off.	Turn on the appliance.
	The circuit breaker tripped or has a blown fuse.	Replace the broken fuse or reset the breaker.
	Sabbath mode may be enabled.	See the Operating Your Appliance section and verify if Sabbath mode is disabled.
The appliance is not cold enough.	Temperature control setting is too high.	Adjust the set temperature.
	External environment may require a higher setting.	Keep the appliance away from sunshine or other heat sources.
	The door is opened too frequently or for long periods of time.	Close the door tightly and do not open the door too frequently or for a long period of time.
	The door gasket is not sealed properly.	Ensure the door gasket is not loose.
	Demonstration mode may be enabled.	See the Operating Your Appliance section and verify if Demonstration mode is disabled.
	The cooler does not have sufficient ventilation.	Read and follow the “Installation Clearance Requirements” in the Installation Instructions section.
	The cooler has restricted air flow due to too much storage.	Open space in the cabinet to allow air flow.
The appliance turns on and off frequently.	The room temperature is hotter than normal.	Run the refrigerator at the appropriate ambient temperature.
	The door gasket is not sealed properly.	Ensure the door gasket is not loose.
	The door is opened too frequently or for long periods of time.	Close the door tightly and do not open the door too frequently or for a long period of time.
	The cooler does not have sufficient ventilation.	Read and follow the “Installation Clearance Requirements” in the Installation Instructions section.
	The door is not closed completely	Make sure the door is completely closed.
The body of the appliance is electrified.	The unit is not properly grounded.	Contact your local electrician to test your electrical grounding system.

# Troubleshooting

Possible Problem	Possible Cause	Solutions
Frost is forming in the appliance.	The environment is too humid.	The unit uses an 'auto-defrost' system, under certain conditions, manual defrosting may be required. If frost builds up, you can try running the refrigerator on a warmer temperature setting, minimizing the number of times you open the door or unplugging the unit to allow the frost to melt.
	The ambient temperature is too low.	
	The door is being opened too frequently.	
The appliance makes too much noise.	The rattling noise may come from the flow of the refrigerant, which is normal. As each cycle ends, you may hear gurgling sounds caused by the flow of refrigerant in the appliance.	It is normal that as each cooling cycle ends, you may hearing rattling or gurgling sounds caused by the flow of refrigerant in the appliance. The high efficiency compressor may make a pulsating or high pitched sound.
	Contraction and expansion of the inside walls may cause popping and cracking noises.	Some popping or cracking noises are normal. They are caused by expansion and contraction of the inside walls due to temperature changes.
	The unit is not level or is touching another appliance.	Check to make sure the cooler is level and that it is non in contact with another appliance or furniture.
The door will not close properly.	The appliance is not level.	Make sure the appliance is on a level surface.
	The door gasket is not installed correctly.	Make sure the door gasket is properly installed.
	The gasket is dirty.	Clean the door gasket.
	The shelves are out of position.	Install the shelves correctly.



**Zephyr Ventilation, LLC (referred to herein as “we” or “us”) warrants to the original consumer purchaser (referred to herein as “you” or “your”) of Zephyr products (the “Products”) that such Products will be free from defects in materials or workmanship as follows:**

**Five Year Limited Warranty for Compressor:** For five years from the date of your original purchase of the Products, we will provide, free of charge, compressor parts to replace those that failed due to manufacturing defects subject to the exclusions and limitations below.

**Two Year Limited Warranty for Parts:** For two years from the date of your original purchase of the Products, we will provide, free of charge, Products or parts (including LED light bulbs, if applicable) to replace those that failed due to manufacturing defects subject to the exclusions and limitations below. We may choose, in our sole discretion, to repair or replace parts before we elect to replace the Products.

**Two Year Limited Warranty for Labor:** For two years from the date of your original purchase of the Products, we will provide, free of charge, the labor cost associated with repairing the Products or parts to replace those that failed due to manufacturing defects subject to the exclusions and limitations below.

**To Obtain Service Under Limited Warranty:** To qualify for warranty service, you must: (a) notify us at [www.zephyronline.com/contact](http://www.zephyronline.com/contact) within 60 days of discovering the defect; (b) give the model number and serial number; and (c) describe the nature of any defect in the Product or part. At the time of the request for warranty service, you must present evidence of your proof of purchase and proof of the original purchase date. If we determine that the warranty exclusions listed above apply or if you fail to provide the necessary documentation to obtain service, you will be responsible for all shipping, travel, labor and other costs related to the services. This warranty is not extended or restarted upon warranty repair or replacements.

**Warranty Exclusions:** This warranty covers only repair or replacement, at our option, of defective Products or parts and does not cover any other costs related to the Products including but not limited to: (a) normal maintenance and service required for the Products and consumable parts such as filters, light bulbs, fuses; (b) any Products or parts which have been subject to freight damage, misuse, negligence, accident, faulty installation or installation contrary to recommended installation instructions, improper maintenance or repair (other than by us); (c) commercial or government use of the Products or use otherwise inconsistent with its intended purpose; (d) natural wear of the finish of the Products or wear caused by improper maintenance, use of corrosive and abrasive cleaning products, pads, and oven cleaner products; (e) chips, dents or cracks caused by abuse or misuse of the Products; (f) service trips to your home to teach you how to use the Products; (g) damage to the Products caused by accident, fire, floods, acts of God; or (h) Custom installations or alterations that impact serviceability of the Products. (i) Damage to personal property or food spoilage from use of this product. If you are outside our service area, additional charges may apply for shipping costs for warranty repair at our designated service locations and for the travel cost to have a service technician come to your home to repair, remove or reinstall the Products. After the first year from the date of your original purchase, you are also responsible for all labor costs associated with this warranty. All Products must be installed by a qualified professional installer to be eligible for warranty repairs or service.

**Limitations of Warranty: OUR OBLIGATION TO REPAIR OR REPLACE, AT OUR OPTION, SHALL BE YOUR SOLE AND EXCLUSIVE REMEDY UNDER THIS WARRANTY. WE SHALL NOT BE LIABLE FOR INCIDENTAL, CONSEQUENTIAL OR SPECIAL DAMAGES ARISING OUT OF OR IN CONNECTION WITH THE USE OR PERFORMANCE OF THE PRODUCTS. THE EXPRESS WARRANTIES IN THE PRECEDING SECTION ARE EXCLUSIVE AND IN LIEU OF ALL OTHER EXPRESS WARRANTIES. WE HEREBY DISCLAIM AND EXCLUDE ALL OTHER EXPRESS WARRANTIES FOR THE PRODUCTS, AND DISCLAIM AND EXCLUDE ALL WARRANTIES IMPLIED BY LAW, INCLUDING THOSE OF MERCHANTABILITY AND FITNESS FOR A PARTICULAR PURPOSE.** Some states or provinces do not allow limitations on the duration of an implied warranty or the exclusion or limitation of incidental or consequential damages, so the above limitations or exclusions may not apply to you. To the extent that applicable law prohibits the exclusion of implied warranties, the duration of any applicable implied warranty is limited to the same two-year and one-year periods described above if permitted by applicable law. Any oral or written description of the Products is for the sole purpose of identifying the Products and shall not be construed as an express warranty. Prior to using, implementing or permitting use of the Products, you shall determine the suitability of the Products for the intended use, and you shall assume all risk and liability whatsoever in connection with such determination. We reserve the right to use functionally equivalent refurbished or reconditioned parts or Products as warranty replacements or as part of warranty service. This warranty is not transferable from the original purchaser and only applies to the consumer residence where the Product was originally installed located in the United States and Canada. This warranty is not extended to resellers.

Please check our website for any additional product information, [www.zephyronline.com](http://www.zephyronline.com)  
For warranty support, contact us at [www.zephyronline.com/contact](http://www.zephyronline.com/contact)

JUN24.0501

## Don't Forget to Register your Zephyr Presrv™ Cooler

Congratulations on your Presrv purchase! Please take a moment to register your new cooler.

### Why is it important?

Prompt registration helps in more ways than one:

- Ensures warranty coverage should you need service
- Ownership verification for insurance purposes
- Notification of product changes or recalls

### How about a review?

While you're at it, leave a review to let us know how much you love your cooler.



**Register**

[zephyronline.com/registration](https://zephyronline.com/registration)



**Review**

[qrs.ly/c7ea9sj](https://qrs.ly/c7ea9sj)

Search your Presrv model number in the top navigation bar



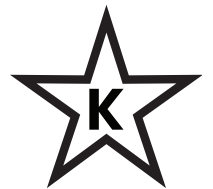
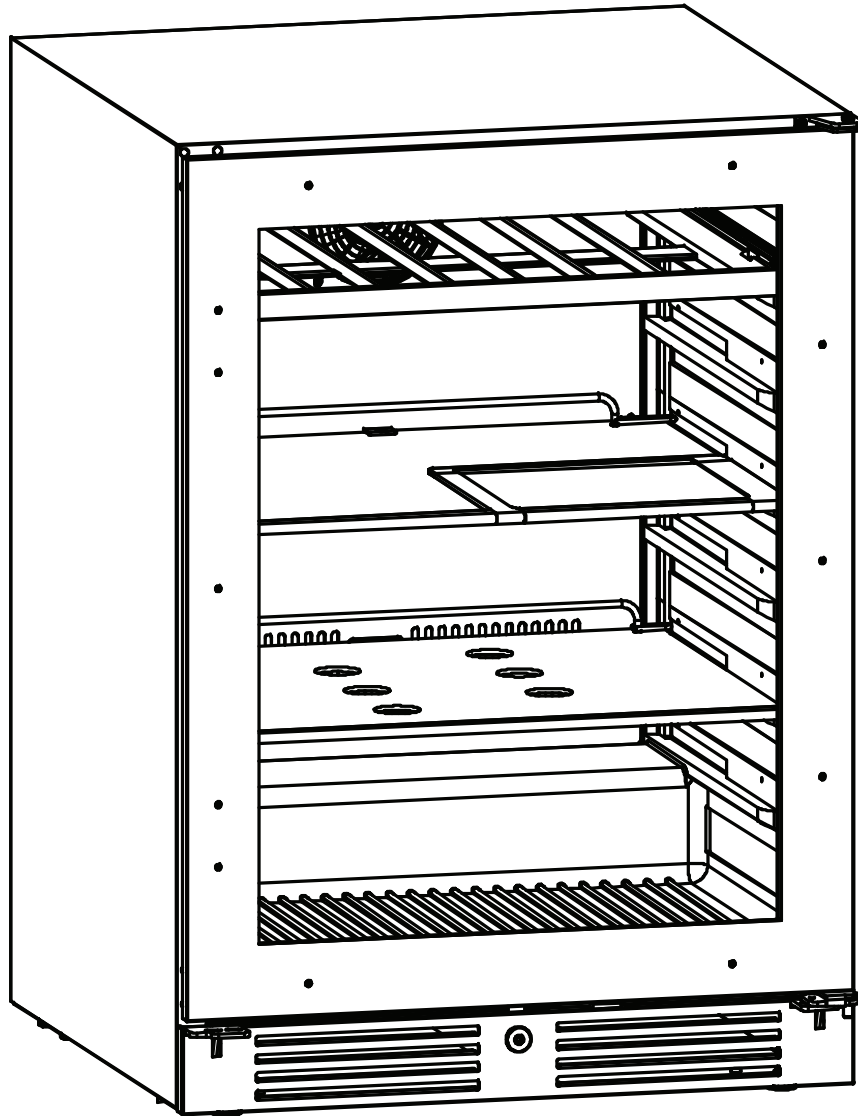
[zephyronline.com](https://zephyronline.com) | 2277 Harbor Bay Pkwy. | Alameda, CA 94520

## PRB24C01CPG

Presrv™ refroidisseur de boissons prêtes pour  
panneau à zone unique

EN Use, Care, and Installation Guide

FR Guide d'utilisation, d'entretien et d'installation





---

	<b>Page</b>
<b>Consignes de sécurité .....</b>	<b>4-11</b>
Types d'avertissements de sécurité.....	4
Sécurité générale .....	5-7
Conservez les présentes instructions .....	8
Comment mettre votre vieil appareil au rebut .....	8
Avant d'utiliser votre appareil .....	9
Installation de votre appareil .....	9-10
Attention.....	10
Raccordement électrique.....	11
<b>Introduction .....</b>	<b>12</b>
<b>Liste de matériel .....</b>	<b>13</b>
<b>Spécifications du produit .....</b>	<b>14-17</b>
Informations sur le produit.....	14
Entreposage interne .....	14
Identification des pièces .....	15
Dimensions.....	16-17
<b>Instructions d'installation .....</b>	<b>18-28</b>
Espace libre requis pour l'installation.....	18
Filtre à charbon .....	19
Installation du support anti-basculement .....	19
Installation du panneau de superposition .....	20
Installation de la poignée .....	21
Inverser l'ouverture de la porte de votre appareil .....	22-23
Installation des tablettes coulissantes en bois .....	24
Retrait des tablettes coulissantes en bois .....	24
Retrait des étagères en verre .....	25
Installation de la tablette de quart de verre rétractable.....	26-27
Utilisation de la tablette de quart de verre rétractable.....	28
<b>Fonctionnement de votre appareil .....</b>	<b>29-32</b>
Utilisation du tableau commande.....	29
Éclairage intérieur .....	30
Luminosité de l'affichage.....	30
Alarme de porte ouverte .....	30
Mode Shabbath .....	31
Mode vitrine .....	31
Alarme de température.....	31
Dégivrage.....	32
Verrou de sécurité pour enfants .....	32
<b>Entretien.....</b>	<b>33-34</b>
Bruits normaux .....	33
Nettoyage et entretien .....	33
Panne d'électricité.....	34
Déplacement du refroidisseur de boissons.....	34
Conseils d'économie d'énergie.....	34
<b>Dépannage .....</b>	<b>35-36</b>
<b>Garantie limitée .....</b>	<b>37</b>
<b>Enregistrement du produit .....</b>	<b>38</b>

**Votre sécurité et celle des gens qui vous entourent sont très importantes.**

Ce manuel contient de nombreux messages de sécurité relatifs à votre appareil. Lisez tous les messages et conformez-vous-y en tout temps.



Voici le symbole d'alerte à la sécurité. Ce symbole vous informe de possibles dangers qui pourraient entraîner de graves lésions corporelles ou la mort. Tous les messages de sécurité suivent le symbole d'alerte à la sécurité et comportent les mots « **DANGER** », « **AVERTISSEMENT** » ou « **ATTENTION** ».

 **DANGER** 

Le mot « danger » signifie que le fait de ne pas tenir compte de l'énoncé de sécurité peut entraîner une blessure grave ou la mort.

 **AVERTISSEMENT** 

Le mot « avertissement » signifie que le fait de ne pas tenir compte de l'énoncé de sécurité peut entraîner des dommages importants au produit, une lésion corporelle grave ou la mort.

 **ATTENTION** 

Le mot « attention » signifie que le fait de ne pas tenir compte de l'énoncé de sécurité peut entraîner une lésion corporelle mineure ou modérée, ou encore des dommages au produit ou à la propriété.

Pour votre sécurité, lisez toutes les instructions avec soin avant de faire fonctionner l'appareil.

## Sécurité générale

**DANGER**

Lors de l'utilisation d'un électroménager électrique, vous devriez toujours prendre des précautions de base pour réduire les risques d'incendie, de décharge électrique et de lésion corporelle.

**AVERTISSEMENT**

Pour réduire les risques d'incendie, de décharge électrique ou de lésion corporelle, débranchez l'appareil ou coupez l'alimentation électrique avant de procéder à son entretien.

**ATTENTION**

Cet appareil utilise un fluide réfrigérant inflammable! Pour réduire les risques de fuite lors de sa manutention, de son déplacement ou de son utilisation, assurez-vous d'éviter d'endommager les tubes réfrigérants.

- ▶ N'utilisez cet appareil que de la façon décrite dans le présent manuel. Toute autre utilisation non recommandée peut causer un incendie, une décharge électrique ou une lésion corporelle.
- ▶ Cet appareil n'est pas conçu pour être utilisé par de jeunes enfants ou des personnes handicapées, à moins qu'un adulte responsable les surveille de près pour veiller à ce qu'ils l'utilisent en toute sécurité.
- ▶ Il est important que les jeunes enfants fassent l'objet d'une surveillance étroite pour veiller à ce qu'ils ne jouent jamais avec l'appareil.
- ▶ Pour vous protéger contre les risques de décharge électrique, n'IMMERGEZ JAMAIS l'appareil, le câble ou la prise électrique dans l'eau et ne les vaporisez pas avec des liquides.

# Consignes de sécurité

**Pour votre sécurité, lisez toutes les instructions avec soin avant de faire fonctionner l'appareil.**

- ▶ Débranchez l'appareil de la prise de courant lorsque vous ne l'utilisez pas, lorsque vous le déplacez et avant de le nettoyer.
- ▶ Pour débrancher l'appareil, serrez fermement la fiche et retirez-la de la prise murale. Ne débranchez jamais l'appareil en tirant sur le câble.
- ▶ Ne faites jamais fonctionner l'appareil en présence de matières explosives ou d'émanations inflammables.
- ▶ Ne placez jamais l'appareil ou l'une de ses pièces près d'une flamme nue ou d'un appareil de cuisson ou de chauffage.
- ▶ Ne faites jamais fonctionner l'appareil si le câble ou la fiche sont endommagés, si le produit est défectueux, s'il est tombé sur le sol ou s'il est endommagé d'une quelconque manière.
- ▶ Il peut être dangereux d'utiliser des accessoires que le fabricant ne recommande pas.
- ▶ Ne faites jamais fonctionner l'appareil si son boîtier est enlevé ou endommagé.
- ▶ Toute fiche branchée dans une prise secteur (prise murale) instable peut présenter un risque de surchauffe et causer la déformation de la fiche. Communiquez avec un électricien qualifié pour procéder au remplacement de toute prise instable ou endommagée.
- ▶ Placez l'appareil à un endroit où il est à l'abri de la lumière directe du soleil et de sources de chaleur (cuisinière, chauffeferette, radiateur, etc.).



## AVERTISSEMENT



**Avertissement Prop. 65 pour les résidents de la Californie:** ce produit peut contenir des produits chimiques reconnus par l'état de la Californie comme pouvant causer le cancer, des anomalies congénitales ou d'autres troubles de la reproduction.

- ▶ Cet appareil est exempt de CFC et de HFC, et contient de faibles quantités d'isobutane (R600a), un agent de refroidissement respectueux de l'environnement.
- ▶ Vous devez vous assurer que le circuit de réfrigération n'est pas endommagé lors de l'installation de l'appareil. Toutefois, s'il est endommagé ultérieurement, évitez toute source de feu nu ou de chaleur. La pièce dans laquelle se trouve l'appareil doit être adéquatement aérée, en conformité avec les codes en vigueur de votre localité, province ou État.
- ▶ N'utilisez jamais un appareil dont le circuit est endommagé.



**Pour votre sécurité, lisez toutes les instructions avec soin avant de faire fonctionner l'appareil.**

- ▶ Assurez-vous que les orifices d'aération de l'appareil et les événements se trouvant à proximité de celui-ci ne sont jamais couverts ou bloqués.
- ▶ Nous n'assumons aucune responsabilité pour tout dommage causé par une mauvaise utilisation de l'appareil ou par des réparations effectuées par une personne non qualifiée. Si l'un ou l'autre de ces cas se présente, la garantie ne s'appliquera pas et nous n'assumerons aucune responsabilité.



- ▶ Ne tentez jamais de réparer ou de remplacer une pièce de l'appareil à moins qu'il soit expressément recommandé de le faire dans le présent manuel. Tous les travaux d'entretien doivent être effectués par un technicien qualifié.
- ▶ Remettez tous les panneaux d'accès en place avant de faire fonctionner l'appareil.
- ▶ Deux personnes ou plus sont requises pour déplacer et pour installer l'appareil. Le non-respect de cette recommandation peut entraîner une blessure au dos ou d'autres lésions.
- ▶ Ne nettoyez jamais des pièces de l'appareil avec un liquide inflammable. Les vapeurs de ce type de produit peuvent présenter un risque d'incendie ou d'explosion. N'utilisez et n'entrez jamais d'essence ou d'autres liquides ou vapeurs inflammables près de cet appareil ou de tout autre appareil. Ces vapeurs peuvent présenter un risque d'incendie ou d'explosion.
- ▶ Ne branchez ou ne débranchez jamais la fiche électrique si vos mains sont mouillées.
- ▶ Il est recommandé d'utiliser un circuit dédié servant exclusivement à cet appareil. Utilisez des prises qui ne peuvent pas être mises hors tension par un interrupteur à bascule ou à tirage.



# Consignes de sécurité

Pour votre sécurité, lisez toutes les instructions avec soin avant de faire fonctionner l'appareil.

## Conservez les présentes instructions

Si vous éprouvez des difficultés, consultez le guide de dépannage se trouvant à l'arrière du présent manuel. Il dresse une liste de problèmes de fonctionnement mineurs auxquels vous pouvez remédier vous-même.

## Comment mettre votre vieil appareil au rebut

Mettez l'emballage de votre appareil au rebut de façon adéquate. Le matériel de réfrigération doit être mis au rebut convenablement et d'une manière respectueuse de l'environnement. Cela s'applique à vos vieux électroménagers et à votre nouvel appareil à la fin de sa vie utile.

 **AVERTISSEMENT** 

Pour vous assurer de rendre inutilisables vos appareils vieux et usés avant de les mettre au rebut, enlevez la fiche, coupez le câble d'alimentation et retirez ou détruisez toute languette à pression ou tout capuchon à enclenchement. Il sera ainsi difficile que des enfants s'enferment dans l'appareil en jouant (risque d'asphyxie) ou mettent leur vie en danger de toute autre manière.

- ▶ Cet appareil ne doit pas être mis au rebut avec les ordures ménagères normales.
- ▶ Le circuit de refroidissement, particulièrement l'échangeur thermique se trouvant à l'arrière et sous l'appareil, ne doit pas être endommagé.
- ▶ Le symbole sur le produit ou sur son emballage indique que cet appareil ne doit pas être traité comme une ordure ménagère normale, mais que vous devez l'apporter à un centre de recyclage pour appareils électroniques et électriques. En mettant convenablement au rebut ce produit, vous contribuez à la protection de l'environnement. La mise au rebut incorrecte de l'appareil met en péril l'environnement et présente des risques sanitaires. De plus amples renseignements sur le recyclage du produit sont disponibles à votre mairie locale ou au service de récupération de déchets de votre région.

Pour votre sécurité, lisez toutes les instructions avec soin avant de faire fonctionner l'appareil.

## Avant d'utiliser votre appareil

- ▶ Enlevez tout l'emballage intérieur et extérieur.
- ▶ Avant de brancher l'appareil à l'alimentation électrique, laissez-le en position verticale pendant environ deux heures. Cela réduira la possibilité que le système de refroidissement fonctionne mal en raison de sa manutention pendant le transport.
- ▶ Nettoyez la surface intérieure de l'appareil avec de l'eau chaude et un chiffon doux.
- ▶ La porte de l'appareil peut s'ouvrir du côté gauche ou droit. L'appareil est livré pour que la porte s'ouvre du côté gauche. Si vous souhaitez que la porte s'ouvre du côté droit, suivez les instructions « Inversion de l'ouverture de la porte de votre appareil » ci-dessous.

## Installation de votre appareil



- ▶ L'appareil est conçu pour être encastré ou autoportant.
- ▶ Installez votre appareil sur un plancher qui est assez solide pour supporter son poids lorsqu'il est rempli au maximum de sa capacité. Mettez votre appareil de niveau en ajustant les quatre pattes.
- ▶ Placez l'appareil à un endroit où il est à l'abri de la lumière directe du soleil et de sources de chaleur (cuisinière, chauffeferette, radiateur, etc.). La lumière directe du soleil peut altérer le revêtement acrylique et les sources de chaleur peuvent augmenter la consommation d'électricité. Les températures ambiantes extrêmement froides peuvent aussi nuire au bon fonctionnement de l'appareil.
- ▶ N'installez jamais l'appareil dans un endroit humide.
- ▶ Branchez l'appareil dans une prise électrique dédiée et facile d'accès.
- ▶ Pour toute question concernant l'alimentation ou le raccordement électrique, adressez-vous à un électricien qualifié ou à un centre de service autorisé.

# Consignes de sécurité

**Pour votre sécurité, lisez toutes les instructions avec soin avant de faire fonctionner l'appareil.**

- ▶ L'évent se trouvant à l'avant de l'appareil ne doit jamais être couvert ou bloqué.
- ▶ Le raccordement électrique de l'appareil doit être fait en conformité avec les codes de l'électricité de votre région ainsi que de votre état ou province.
- ▶ Deux personnes ou plus sont requises pour déplacer et installer le refroidisseur de boissons. Le non-respect de cette recommandation peut entraîner une blessure au dos ou d'autres blessures.
- ▶ Le rendement du refroidisseur peut diminuer quelque peu si la circulation d'air est restreinte parce que l'appareil est rempli au maximum de sa capacité.
- ▶ Installez le refroidisseur de boissons dans une zone bien ventilée où la température ambiante est supérieure à 10°C et inférieure à 32°C.

## Attention

- ▶ Ne surchargez jamais votre appareil.
- ▶ N'ouvrez pas la porte à moins que cela soit nécessaire.
- ▶ Ne recouvrez jamais les étagères avec du papier d'aluminium ou tout autre matériel susceptible de gêner la circulation de l'air.
- ▶ Si l'appareil est vide pendant une longue période, nous vous suggérons de le débrancher et, après l'avoir bien nettoyé, de laisser la porte entrouverte pour permettre la libre circulation de l'air à l'intérieur afin de prévenir la formation de condensation, de moisissure ou d'odeurs.

Pour votre sécurité, lisez toutes les instructions avec soin avant de faire fonctionner l'appareil.

## Raccordement électrique

Assurez-vous que la tension indiquée sur le produit correspond à la tension d'alimentation.



Pour assurer votre sécurité, cet appareil doit être dûment mis à la terre. Pour minimiser les risques de décharge électrique, le câble d'alimentation de cet appareil est muni d'une fiche à trois broches qui s'adapte aux prises murales standards à trois bornes.

Ne coupez pas et n'enlevez pas la troisième broche (mise à la terre) du cordon d'alimentation fourni, indépendamment des circonstances. Pour votre sécurité personnelle, cet appareil doit être dûment mis à la terre.

Faites vérifier la prise murale et le circuit par un électricien qualifié pour vous assurer de la mise à la terre adéquate de l'appareil. Lorsque la prise murale ne compte que deux bornes, il est de votre responsabilité et de votre obligation de la faire remplacer par une prise murale à trois bornes dûment mise à la terre.

Pour prévenir toute blessure accidentelle, le câble doit être fixé à l'arrière de l'appareil, ne pas être exposé et ne pas pendre librement.

L'appareil doit toujours être branché dans une prise électrique individuelle et dédiée dont la tension nominale correspond à la tension indiquée sur la plaque signalétique de l'appareil. Cela permet d'obtenir un rendement optimal et prévient la surcharge des circuits de câblage, ce qui peut causer un risque d'incendie en cas de surchauffe. Ne débranchez jamais l'appareil en tirant sur le câble. Saisissez toujours fermement la fiche et retirez-le de la prise. Réparez ou remplacez immédiatement tout câble d'alimentation effiloché ou endommagé. N'utilisez jamais un câble fissuré ou endommagé par de l'abrasion. Lorsque vous déplacez l'appareil, prenez soin de ne pas endommager le câble d'alimentation.

N'utilisez jamais votre appareil avec une rallonge électrique, à moins qu'elle ait été examinée et mise à l'essai par un technicien qualifié ou par un agent de service. La rallonge électrique doit respecter la norme UL/CUL, doit être munie de trois broches, dont une de mise à la terre, et doit avoir une capacité nominale de 115 volts et d'au moins 10 ampères.

# Introduction

Merci de vous être procuré un refroidisseur de boissons Zephyr.

Zephyr se spécialise dans l'élaboration de produits de qualité supérieure dotés de fonctionnalités distinctives qui améliorent votre style de vie. Veuillez visiter le [www.zephyronline.com](http://www.zephyronline.com) pour obtenir de plus amples renseignements sur votre appareil et sur d'autres produits Zephyr.

Ce manuel contient des renseignements importants relatifs à l'installation, à l'utilisation et à l'entretien adéquats de votre refroidisseur de boissons. Suivez les instructions de ce manuel pour maximiser le rendement et l'efficacité de votre appareil.

## **Pour vos dossiers**

Veuillez noter le numéro de modèle et le numéro de série ci-dessous pour référence future. Les deux numéros se trouvent sur l'étiquette signalétique à l'arrière de votre appareil et à l'intérieur de l'appareil vers le bas de l'armoire et sont nécessaires pour obtenir le service de garantie. Vous pouvez également agraffer votre reçu à ce manuel car il s'agit de la preuve de votre achat et peut également être nécessaire pour le service sous garantie.

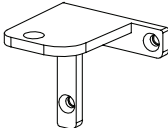

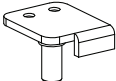

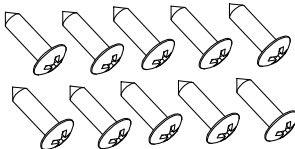
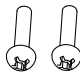


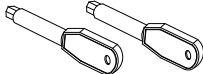
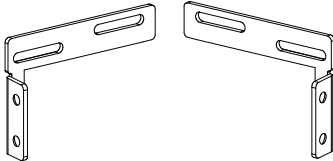


**Numéro de modèle :**

**Numéro de série :**

**Date d'achat :**

Pour que nous puissions vous offrir un service optimal, veuillez suivre les instructions suivantes lorsque vous communiquez avec le service à la clientèle de Zephyr :

- ▶ Si vous avez reçu un produit endommagé, communiquez immédiatement avec le marchand ou détaillant qui vous a vendu le produit.
- ▶ Lisez et suivez les instructions contenues dans le présent manuel pour bien installer et utiliser votre refroidisseur de boissons, et en effectuer l'entretien.
- ▶ Lisez la section sur le dépannage pour diagnostiquer et pour solutionner les problèmes les plus fréquents.
- ▶ Visitez-nous en ligne à <http://www.zephyronline.com> pour télécharger des guides sur nos produits, des ressources de dépannage supplémentaires et des informations actualisées.
- ▶ Si vous avez besoin d'un service de garantie, nos sympathiques représentants du service clientèle sont disponibles sur notre site Web à l'adresse <http://zephyronline.com/contact>.

Quantité	Partie
	Support de charnière de porte réversible
	Axe de porte supérieur
	Axe de porte inférieur
	Vis à tête fraisée (M4*12)
	Vis autotaraudeuses (ST4*30)
	Vis de poignée de porte (M4*40)
	Rondelles plates (Ø4.3*Ø8*0.5, M4)
	Clous décoratifs noirs
	Clés
	Support anti-basculéments
Côté gauche    Côté droit	
	Vis autotaraudeuses (ST4*12)
	Vis à tête plate (M4*12)

# Spécifications du produit

## Informations sur le produit

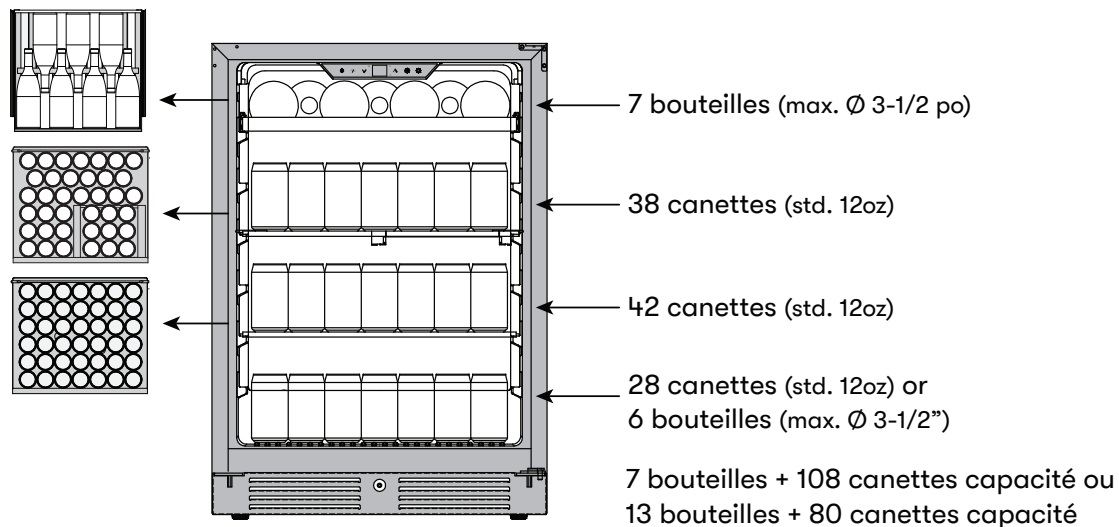
Cet appareil doit être branché à une prise électrique standard mise à la terre de 115/120 volts, c.a. de ~60 Hz.

DESCRIPTION DU PRODUIT	Presrv refroidisseur de boissons prêtes pour panneau à zone unique
MODÈLE	PRB24C01CPG
TENSION/FRÉQUENCE	AC 115/60Hz
INTENSITÉ DE COURANT	1.5A
COULEUR	Armoire noire avec porte prête pour panneau noir
CAPACITÉ D'ENTREPOSAGE	(7) 750ml bouteilles + (108) 12oz canettes ou (13) 750ml bouteilles + (80) 12oz canettes
RÉFRIGÉRIANT	R600a
PLAGE DE TEMPÉRATURES	34°F - 50°F
DIMENSIONS (HxLxP)	33-7/8 po X 23-7/8 po X 23-3/4 po
POIDS BRUT (lb)	121lb
CAPACITÉ DE POIDS - ÉTAGÈRE EN VERRE STANDARD (lb)	66lb
ÉTAGÈRE EN VERRE RÉTRACTABLE EN OPTION	50150016
POIGNÉE PRO OPTIONNELLE	PRHAN-C001
ACCESSOIRE DE POIGNÉE CONTEMPORAINE EN OPTION, ACIER INOXYDABLE	PRHAN-C101
ACCESSOIRE DE POIGNÉE CONTEMPORAINE OPTIONNEL, OR BROSSÉ	PRHAN-C102
ACCESSOIRE DE POIGNÉE CONTEMPORAINE EN OPTION, NOIR MAT	PRHAN-C104
FILTRE À CHARBON DE REMPLACEMENT	ZOF-C004

\* La capacité de stockage est basée sur 12 oz standard. boîtes et 750 ml. Bouteilles de vin de style bordelais.

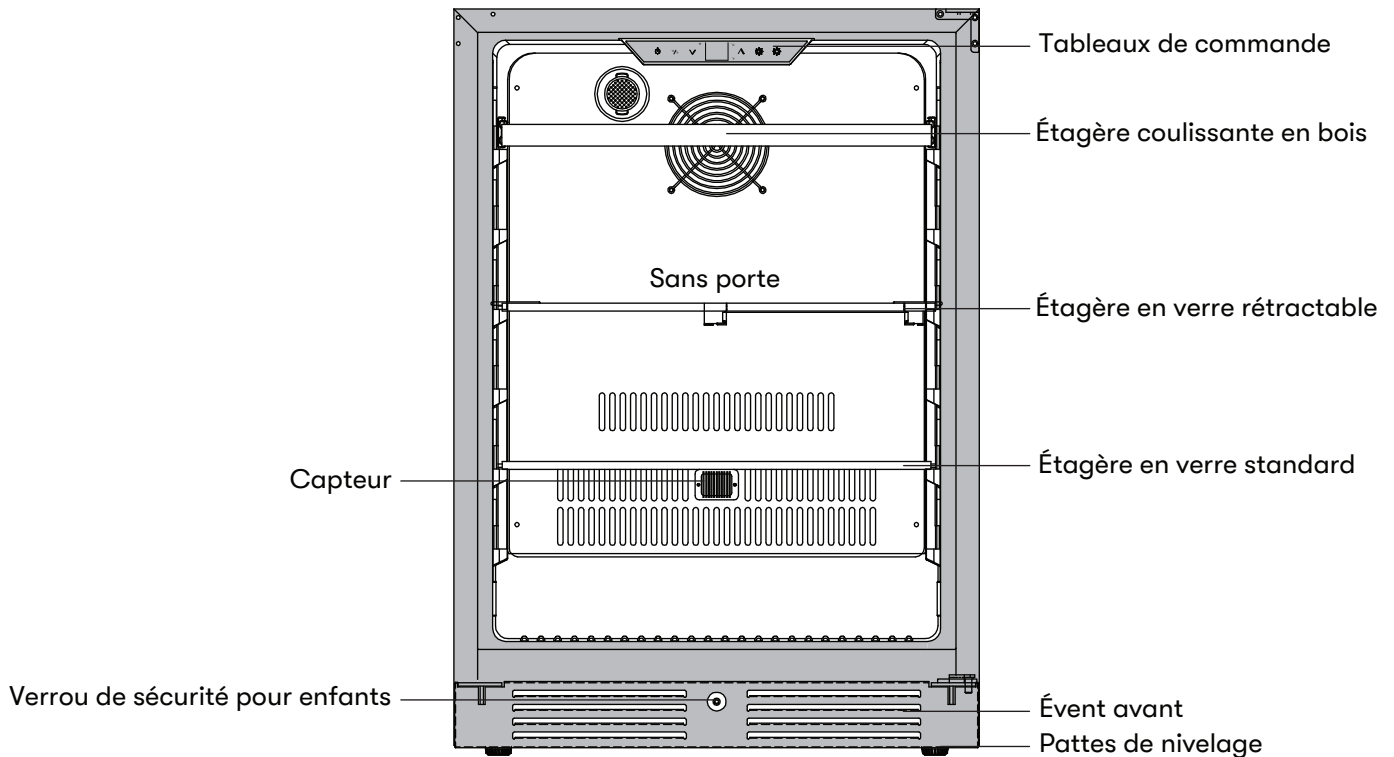
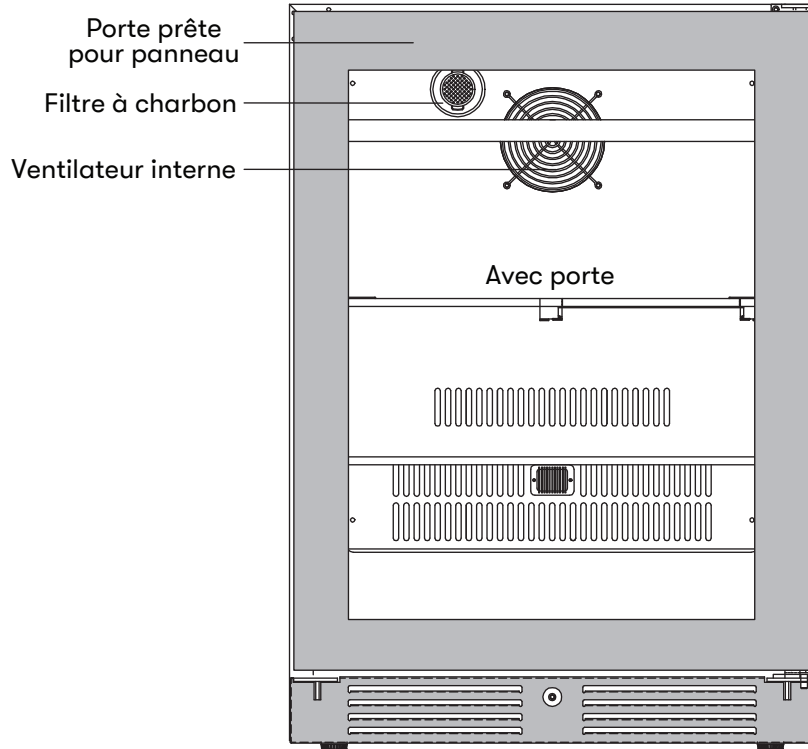
**REMARQUE:** La profondeur fournie comprend un panneau de recouvrement de 3/4 ”.

## Entreposage interne



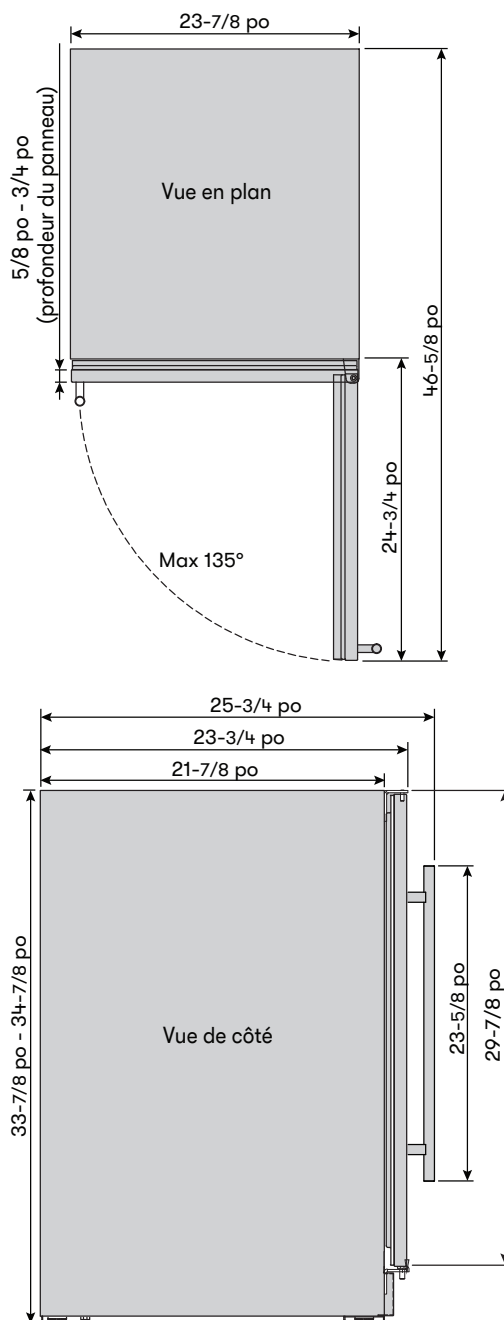


## Identification des pièces



# Spécifications du produit

## Dimensions

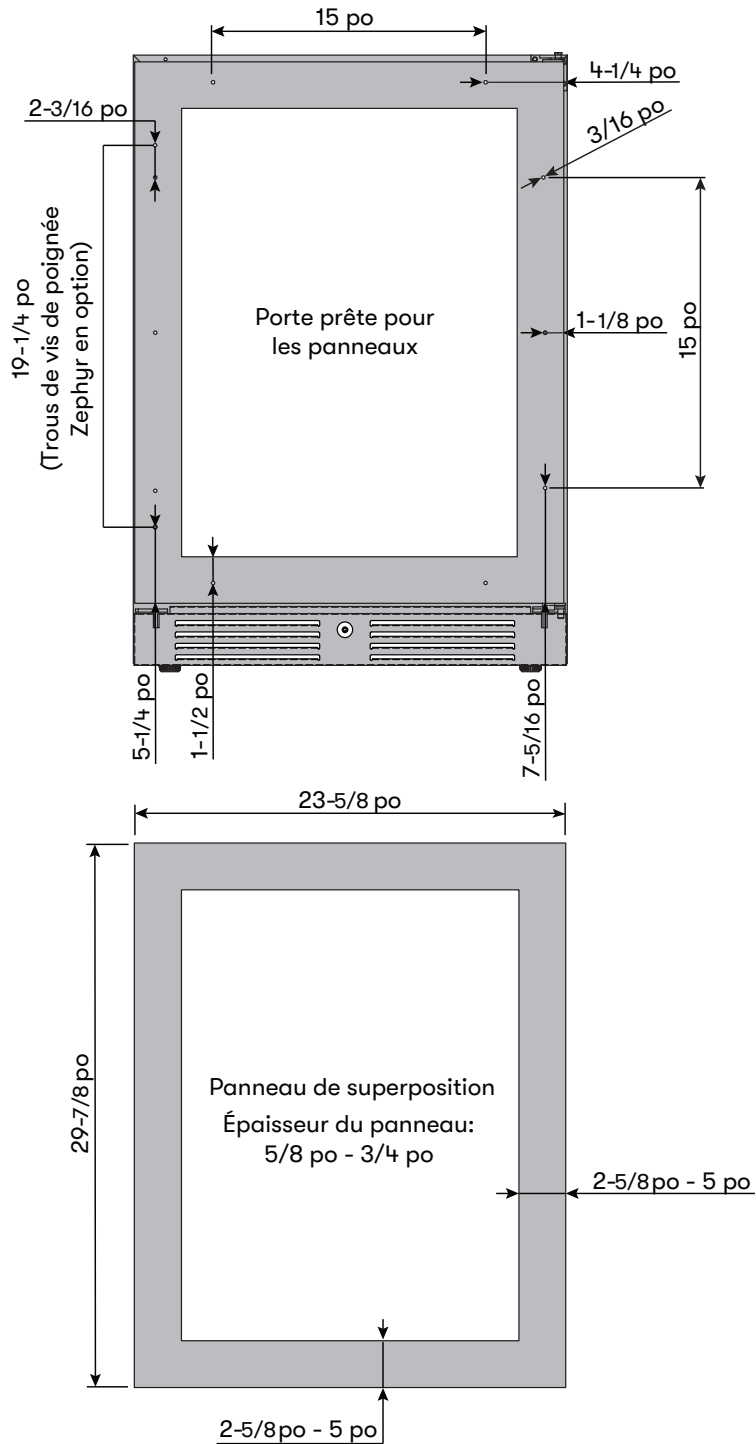


**REMARQUE:** La profondeur de l'armoire fournie comprend un panneau de recouvrement de 3/4 po.

**REMARQUE:** Une vis est présente sur la charnière supérieure de l'unité, ajoutant 1/8 po supplémentaire à la hauteur du refroidisseur. Si vous installez le refroidisseur à égalité avec les façades de l'armoire, un dégagement supplémentaire peut être nécessaire.

**REMARQUE:** Les dimensions des poignées indiquées concernent les poignées Zephyr en option, vendues séparément.

## Dimensions



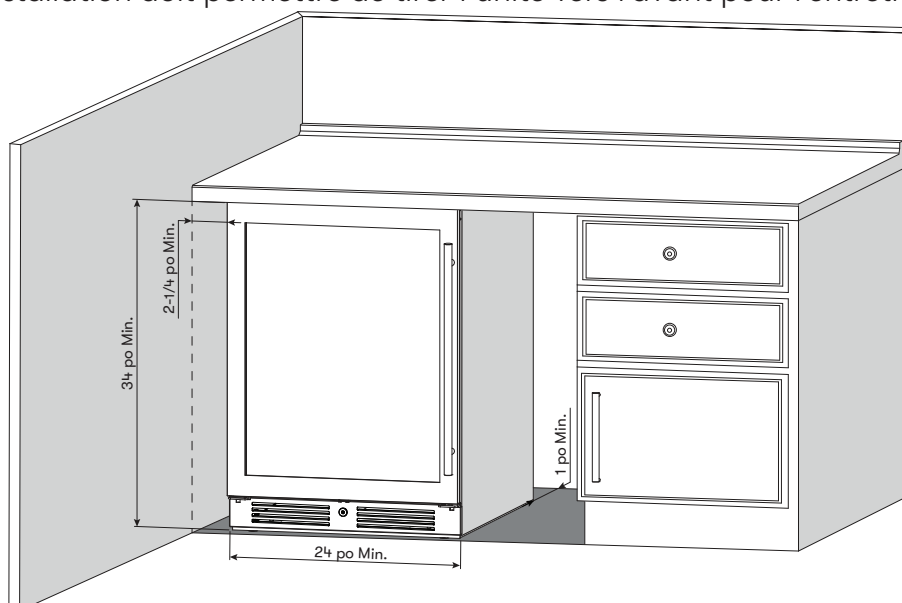
**REMARQUE:** Compatible uniquement avec les panneaux de superposition encadrés.

# Instructions d'installation

## Espace libre requis pour l'installation

Lors de l'installation du refroidisseur de boissons sous un comptoir, veuillez respecter les espaces libres recommandés ci-dessous.

- ▶ Lorsque vous installez le refroidisseur de boissons sous un comptoir, respectez les dimensions d'espacement recommandées indiquées.
- ▶ Si le refroidisseur est encastré à l'avant des armoires, un dégagement supplémentaire de hauteur de 1/8 po sera nécessaire.
- ▶ Pour un bon dégagement de la prise électrique, laissez au moins 1 po de dégagement à l'arrière comme indiqué sur le schéma.
- ▶ Une installation à côté d'un mur nécessitera un dégagement de porte minimum de 2-1/4 po pour accueillir la poignée Zephyr. Si une poignée personnalisée est utilisée, les dimensions devront être mesurées en conséquence en fonction des dimensions de la poignée.
- ▶ L'armoire doit permettre au moins 24 po pour la largeur et 34 po pour la hauteur pour accueillir le refroidisseur de boisson.
- ▶ Le câble d'alimentation est situé à l'arrière droit de l'unité et a une longueur de 72 pouces pour s'adapter à plusieurs emplacements de prise.
- ▶ Une fois que vous êtes prêt à installer l'unité, vous devez régler les pieds pour mettre à niveau le refroidisseur de boissons.
- ▶ Ce réfrigérateur peut être entièrement intégré aux armoires et ne nécessite aucun dégagement supplémentaire en plus de ce qui est référencé ci-dessous.
- ▶ Installation L'installation doit permettre de tirer l'unité vers l'avant pour l'entretien, si nécessaire.

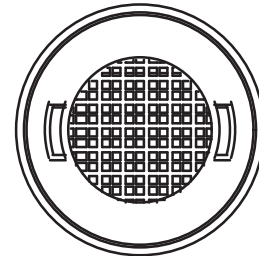


## Filtre à charbon

Un filtre à charbon intégré protège vos boissons en agissant comme une barrière naturelle contre les mauvaises odeurs. Vous devriez remplacer le filtre à charbon tous les trois à six mois, selon le niveau d'exposition de votre appareil aux mauvaises odeurs. Si vous installez l'appareil dans une cuisine, il est idéal de remplacer le filtre tous les trois mois.

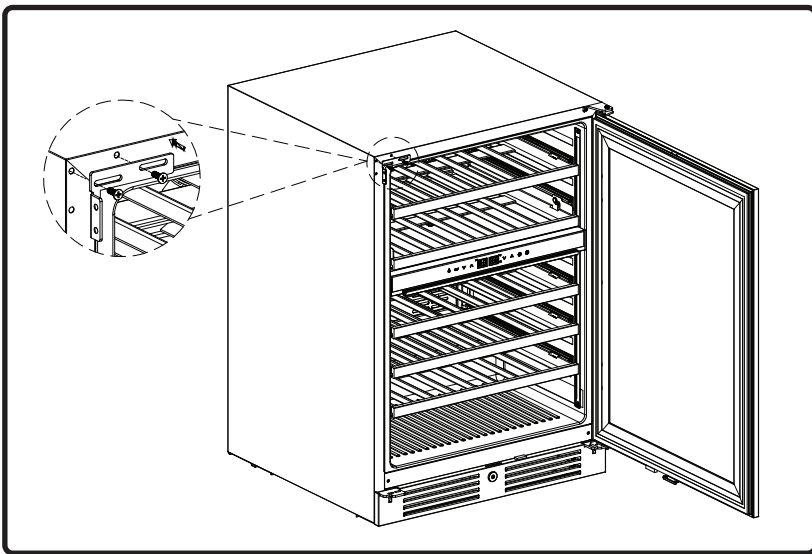
Pour retirer le filtre à charbon du panneau arrière, faites-le tourner dans le sens antihoraire.

**No de pièce du filtre à charbon de remplacement: Z0F-C004**

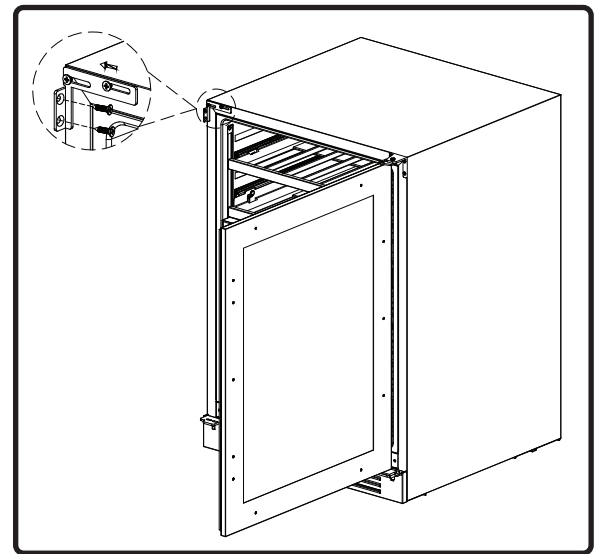


## Installation du support anti-basculement

Pour installer le support anti-basculement, veuillez suivre les instructions ci-dessous. Le support anti-basculement empêche le refroidisseur de basculer, de se déplacer d'un côté à l'autre, d'avant en arrière. Cela permet au refroidisseur de maintenir sa position afin que le panneau superposé reste correctement aligné avec les portes de l'armoire. Deux supports anti-basculement sont disponibles pour s'adapter au côté gauche ou droit, selon l'emplacement des charnières de la porte.



1. Ouvrez la porte et retirez les clous décoratifs noirs. Placez le support anti-basculement sur le refroidisseur et fixez-le avec (2) vis à tête plate M4\*12.

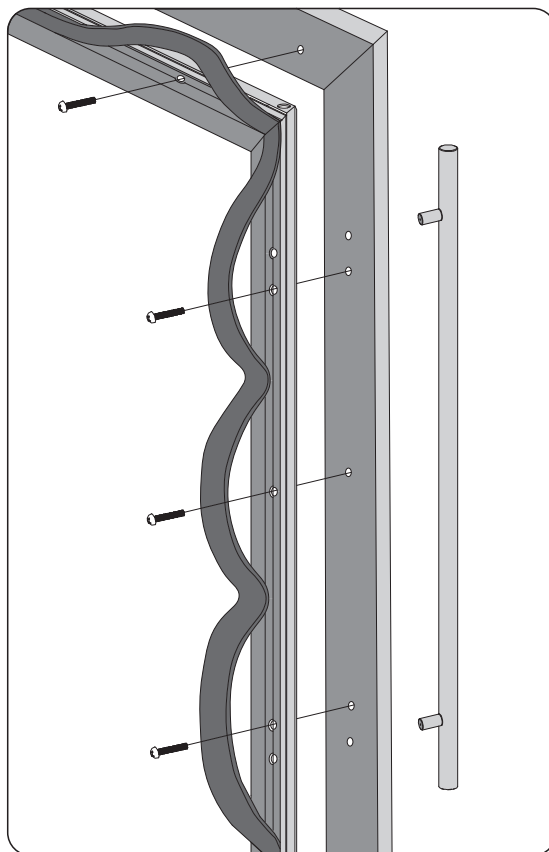


2. Poussez le refroidisseur à l'emplacement souhaité pour l'installation. Ouvrez la porte et installez le support anti-basculement sur l'armoire avec (2) vis autotaraudeuses ST4\*12.

# Instructions d'installation

## Installation du panneau de superposition

Pour installer le panneau de revêtement sur la porte, veuillez suivre les instructions ci-dessous. Reportez-vous à la page des dimensions pour assurer des mesures correctes avant l'installation.



1. Ouvrez la porte.
2. Retirez temporairement le joint de la porte pour voir les 10 trous du panneau de recouvrement. Il y a 2 trous sur les côtés supérieur et inférieur de la porte avec 3 ou 5 trous sur les côtés gauche et droit selon l'emplacement de la poignée. Le côté de la poignée aura 5 trous.
3. Ouvrez le paquet de matériel contenant 10 vis autotaraudeuses (taille ST4 \* 30) pour le panneau de recouvrement.
4. Fixez fermement le panneau de revêtement avec la porte à l'aide de serre-joints et vissez les vis autotaraudeuses dans le panneau de revêtement. Effectuez cette étape par vis jusqu'à ce que le panneau de recouvrement soit complètement fixé.
5. Remettez en place le joint de porte et fermez la porte.

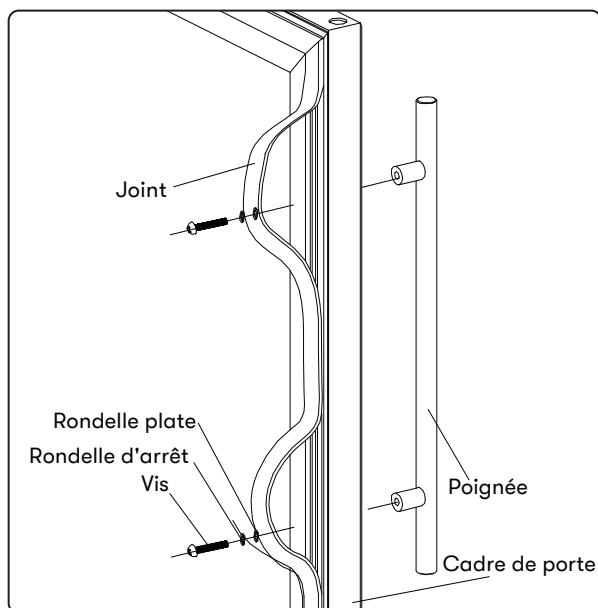
**REMARQUE:** Si des poignées seront installées, vissez 2 vis préinstallées sur le panneau de recouvrement et reportez-vous aux instructions d'installation des poignées. S'ils ne sont pas installés, retirez les vis de la porte.

## Installation de la poignée

Si des poignées contemporaines ou professionnelles en option sont souhaitées, reportez-vous ci-dessous pour les numéros de pièce.

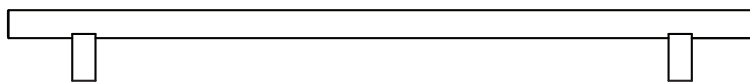
1. Confirmez si le panneau de superposition a déjà été installé sur l'unité. Sinon, reportez-vous à la section Installation du panneau de superposition pour monter le panneau de superposition sur l'unité.
2. Poussez le joint de porte de côté. Sous le joint, vous verrez deux trous désignés pour l'installation de la poignée. Marquez les emplacements des trous de poignée sur le panneau de superposition.
3. Retirez le panneau de revêtement de la porte. À l'aide d'une mèche de 3/16 po, créez des trous pour les vis de poignée.
4. Réinstallez le panneau de recouvrement sur la porte.
5. Installez la poignée fermement comme illustré avec deux vis à métaux de 1-1 / 2 ”.

**REMARQUE:** Si vous utilisez une poignée personnalisée, installez la poignée dans la position de votre choix avec des trous de vis enfoncés avant d'installer le panneau de revêtement sur la porte.



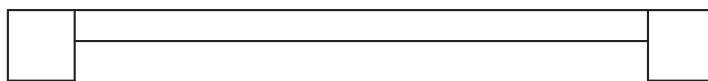
### Zephyr Presrv poignées contemporaines

Partie #: PRHAN-C101    Couleur: acier inoxydable  
Partie #: PRHAN-C102    Couleur: or brossé  
Partie #: PRHAN-C104    Couleur: noir mat



### Zephyr Presrv pro handle

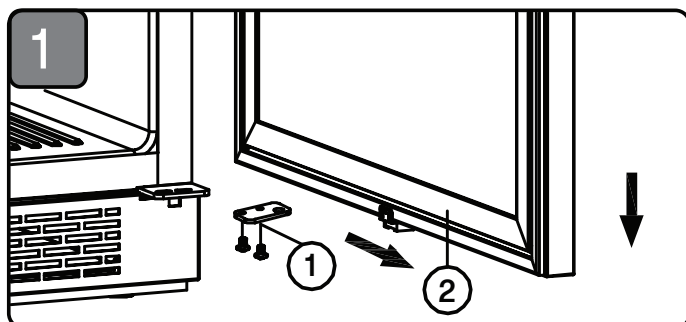
Partie #: PRHAN-C001    Couleur: acier inoxydable



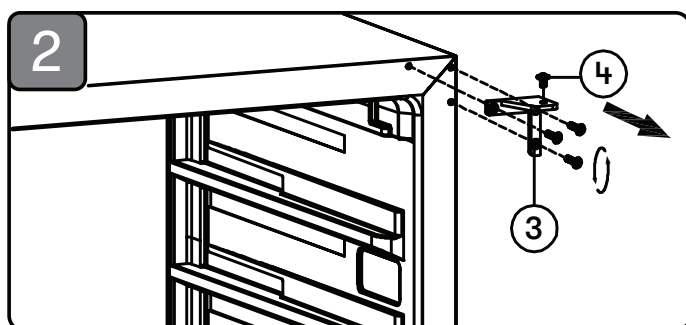
# Installation Instructions

## Inverser l'ouverture de la porte de votre appareil

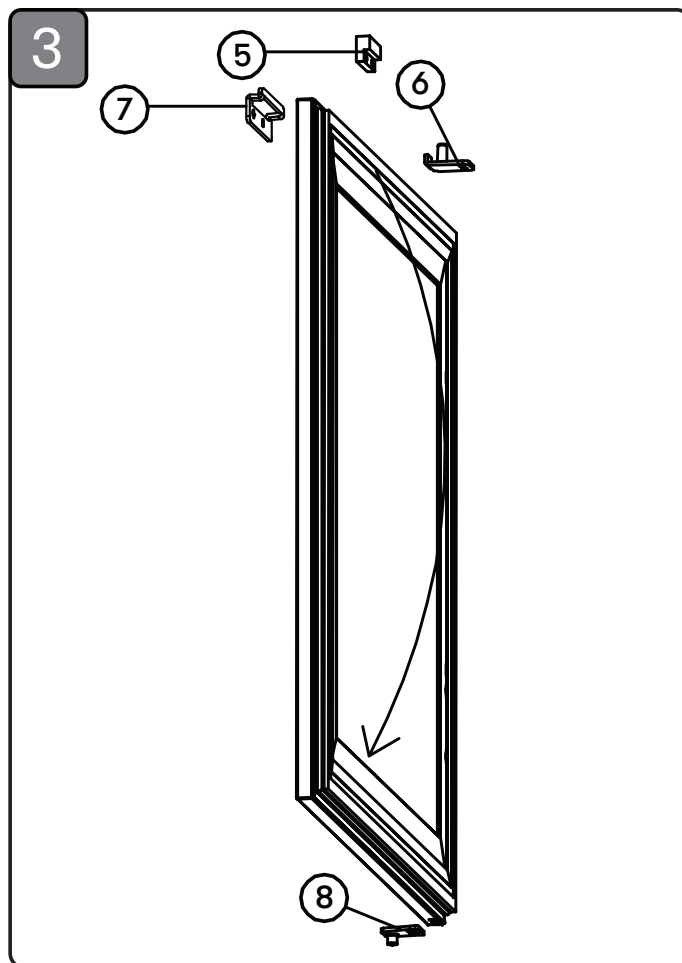
Si vous souhaitez inverser le sens d'ouverture de la porte, veuillez suivre les instructions ci-dessous. Pour inverser la porte de votre appareil en toute sécurité, il faut au moins deux personnes.



1. Retirez les 2 vis de l'axe inférieur de la porte (1) et retirez une vis supérieure sur le dessus de la charnière (4). Retirez ensuite la porte (2) et retirez la plaque d'axe (1) de la porte.



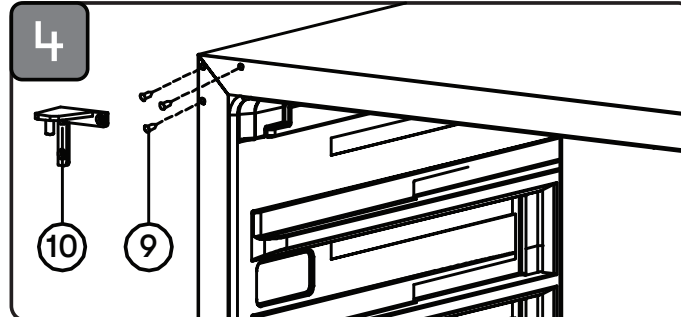
2. Retirez les 3 vis de charnière de la charnière supérieure droite (3) et retirez la charnière supérieure droite.



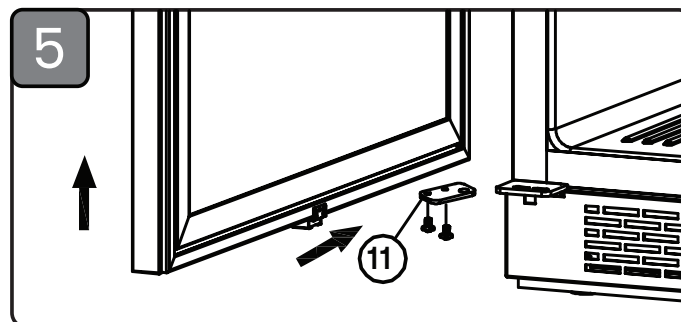
3. Retirez l'aimant de porte (5), la butée de porte (6) et le verrou de sécurité pour enfants (7) avec 2 vis chacun. Retirez les 2 vis de l'axe supérieur de la porte (8) monté sur le dessus de la porte et retirez-le. Ensuite, installez l'aimant de porte et le verrou de sécurité pour enfants sur le côté opposé du cadre de porte. Sortez le nouvel axe de porte supérieur et le butoir de porte du paquet de matériel et installez-les avec 2 vis. Faites pivoter la porte de 180 degrés.



## Inverser l'ouverture de la porte de votre appareil



4. Retirez les 3 couvercles décoratifs noirs (8) en haut à gauche de l'armoire. Installez les couvercles décoratifs noirs en haut à droite de l'armoire et installez la nouvelle charnière supérieure (9) du paquet de matériel qui comprend le manuel d'installation en haut à gauche de l'armoire avec 3 vis.



5. Installez l'axe de porte inférieur (10) et installez la porte une fois correctement alignée. Fixez la porte avec la vis supérieure sur le dessus de la charnière (4).

# Instructions d'installation

- ▶ Pour éviter d'endommager la porte ou le joint de porte, assurez-vous que la porte est ouverte à au moins 90 degrés lorsque vous retirez les étagères du compartiment de rail.
- ▶ La porte s'ouvre à un maximum de 135 degrés avec un arrêt de porte sur la charnière inférieure empêchant la porte de s'ouvrir davantage. Si l'unité est encastrée avec des armoires adjacentes, la porte s'ouvre à 120 degrés.
- ▶ Soyez prudent lorsque vous ouvrez la porte afin que les armoires adjacentes ne soient pas endommagées.

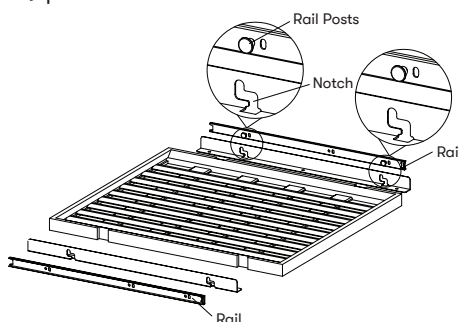
## Installation des tablettes coulissantes en bois

1. Ouvrez complètement la porte.
2. Alignez les encoches de l'étagère avec les montants de rail à droite et à gauche.
3. Poussez l'étagère vers le bas, puis poussez-la à fond jusqu'à ce que l'étagère repose complètement à l'intérieur de l'unité et que vous puissiez fermer la porte.
4. L'étagère doit glisser doucement d'avant en arrière. Si ce n'est pas le cas, vous devrez peut-être le supprimer et recommencer.

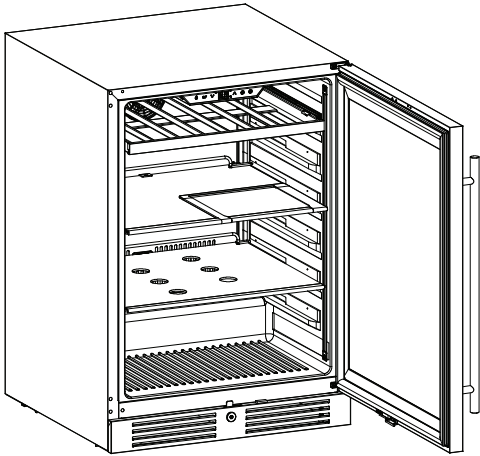
**CONSEIL:** Pour éviter d'endommager le joint de porte, assurez-vous d'ouvrir complètement la porte avant de retirer les étagères de leur rail.

## Retrait des tablettes coulissantes en bois

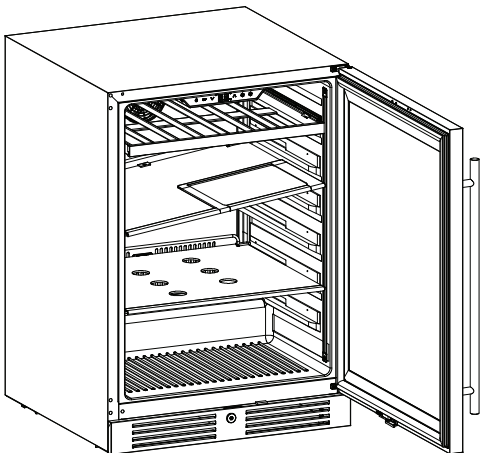
1. Ouvrez complètement la porte.
2. Retirez tout le contenu chargé sur l'étagère, le cas échéant.
3. Alignez les encoches de la tablette avec les montants du rail comme indiqué ci-dessous. Cela vous obligera à vous accrocher aux deux rails lorsque vous déplacez l'étagère pour aligner les poteaux avec les encoches des deux côtés de l'étagère.
4. Soulevez uniformément l'étagère, puis tirez-la vers l'extérieur.



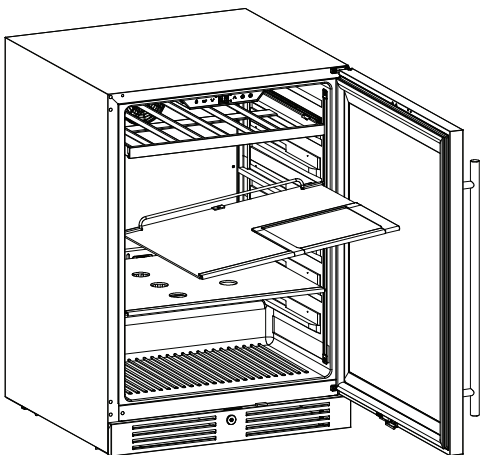
## Retrait des étagères en verre



1. Ouvrez complètement la porte pour décharger tout contenu contenu dans le refroidisseur de boissons. Assurez-vous que l'étagère est complètement repoussée.



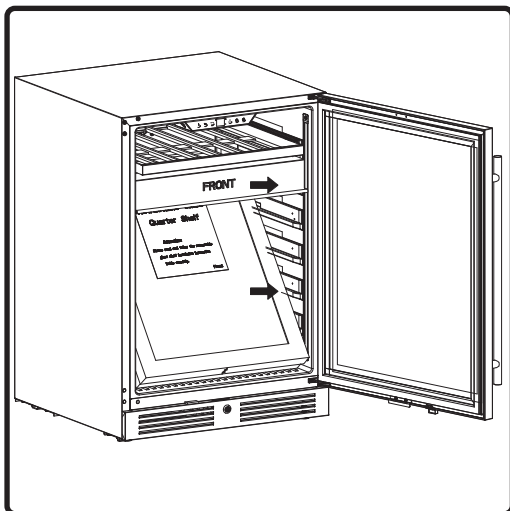
2. Soulevez le côté gauche ou droit de l'étagère pour créer un angle de 45 ° par rapport à sa position d'origine. Assurez-vous de ne pas soulever trop fort l'un des côtés de l'étagère car elle pourrait entrer en contact avec le support mural intérieur.



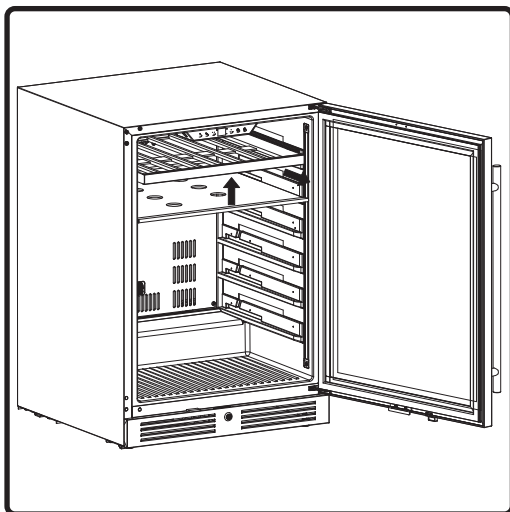
3. Tirez la tablette vers l'extérieur jusqu'à ce qu'elle soit retirée du compartiment intérieur. Vous pouvez rencontrer une certaine résistance du garde-corps.

# Instructions d'installation

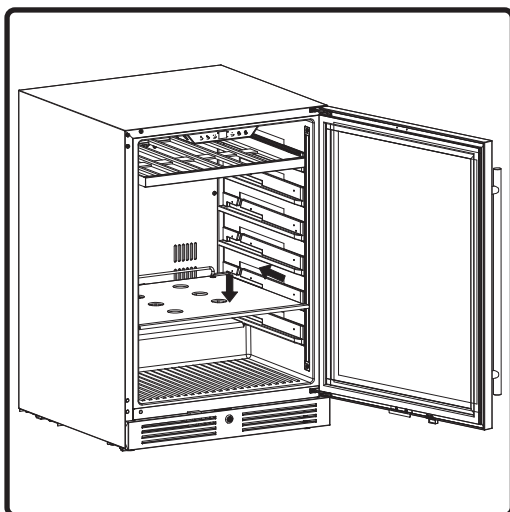
## Installation d'étagère quart de verre rétractable



1. Retirez la mousse de l'étagère en verre ordinaire. Retirez la boîte contenant la tablette quart de verre rétractable.

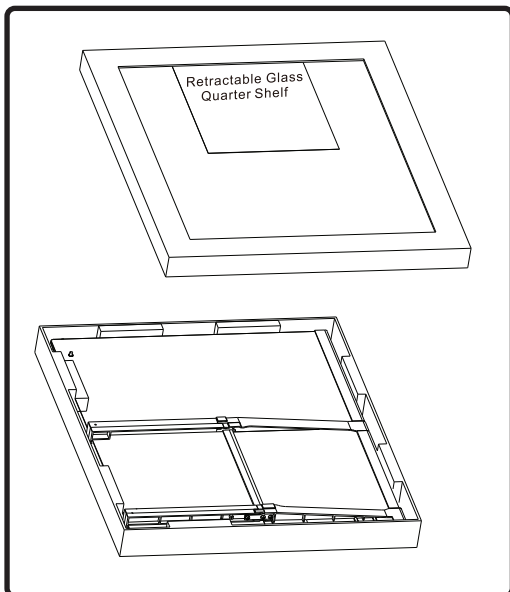


2. Soulevez le côté gauche ou droit de l'étagère pour créer un angle de 45° à partir de sa position d'origine et tirez l'étagère vers l'extérieur.

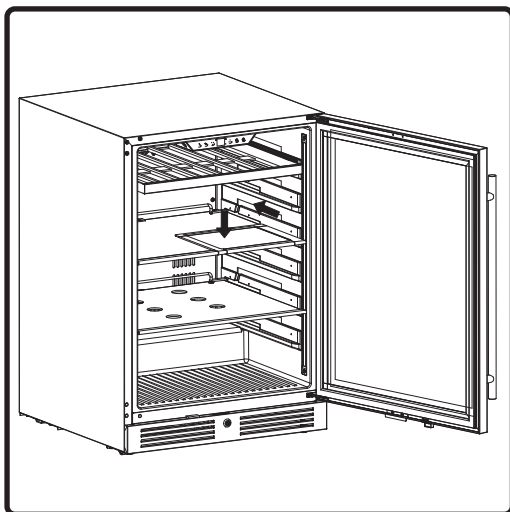


3. Déplacez l'étagère en verre ordinaire sur l'un des deux rebords inférieurs. Assurez-vous que l'étagère est complètement repoussée.

## Installation d'étagère quart de verre rétractable



4. Retirez la tablette quart de verre rétractable de l'emballage.



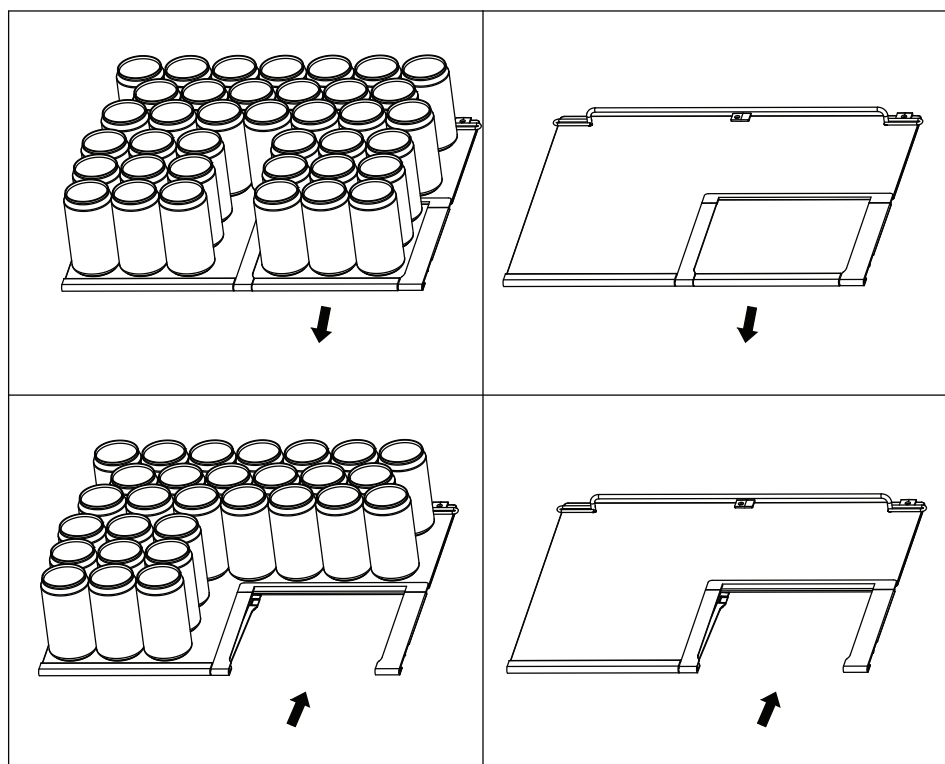
5. Installez soigneusement la tablette quart de verre rétractable dans la position souhaitée.

# Instructions d'installation

## Utilisation de l'étagère quart de verre rétractable

L'une des étagères de verre est munie d'un quart d'étagère amovible, ce qui vous permet de placer les bouteilles et des récipients ouverts en position verticale. La capacité d'entreposage peut être réduite lors de l'utilisation du quart d'étagère amovible.

1. Ouvrez complètement la porte.
2. Enlevez toute boisson se trouvant sur le quart d'étagère avant droit. Soulevez le rebord avant droit de l'étagère et poussez-le doucement vers l'intérieur pour le retrait de l'étagère de verre. Vous pouvez maintenant entreposer des bouteilles en position verticale dans le nouvel espace.
3. Pour fermer le quart d'étagère droit, suivez l'étape 2 dans le sens contraire et assurez-vous que l'étagère de verre est stable avant d'y placer les boissons.



**ATTENTION**

La capacité de poids maximale du quart de tablette en verre rétractable est de 7.7lb. Un dépassement de ce poids peut endommager le quart de tablette.

Si l'appareil est débranché, perdu de courant ou éteint, vous devez attendre 3 à 5 minutes avant de redémarrer l'appareil. Si vous tentez de redémarrer avant ce délai, l'appareil risque de ne pas démarrer et de ne pas conserver la dernière température réglée.

## Utilisation du tableau commande



Ce refroidisseur de boissons a une plage de température de 34 °F à 50 °F.

### Bouton d'alimentation

- Appuyez sur ce bouton et maintenez-le enfoncé pendant trois secondes pour allumer ou éteindre votre appareil. Lorsque l'appareil est allumé, le voyant R « Compresseur en marche » peut s'allumer pour indiquer que le compresseur interne est actif. Après la mise hors tension, tous les voyants des boutons resteront éteints. Une fois qu'un bouton est touché, le bouton d'alimentation s'allume pendant cinq secondes.

### °C/°F Sélecteur °C/°F

- Appuyez sur ce bouton pour basculer la température d'affichage entre Fahrenheit et Celsius.

### Diminuer la température

- Appuyez sur ce bouton pour diminuer la température par incréments d'un (1) degré. Maintenir ce bouton diminuera continuellement la température. 34°F est la température la plus basse disponible sur cet appareil.

### Augmenter la température

- Appuyez sur ce bouton pour augmenter la température par incréments d'un (1) degré. Maintenir ce bouton augmentera continuellement la température. 50°F est la température la plus élevée disponible sur cet appareil.

### Luminosité de la lumière

- Appuyez sur ce bouton pour faire défiler les différentes luminosités de la lumière interne. La luminosité augmente de L0 à L1, L2, L3 et L4, et elle diminue de L4 à L0. À L0, les lumières ne s'allument pas, que la porte soit ouverte ou fermée.

### Lumière intérieure

- Appuyez sur ce bouton pour faire défiler les différents réglages d'éclairage interne. Il existe trois réglages d'éclairage : Cloud White, Deep Blue et Amber.

**REMARQUE:** La cave à vin est équipée d'une fonction de mémoire. Si l'alimentation est soudainement coupée, la température, la couleur et la luminosité définies précédemment seront enregistrées et le refroidisseur reviendra à ce réglage une fois l'alimentation rétablie.

# Fonctionnement de votre appareil

## Éclairage intérieur

Ce réfrigérateur est équipé d'éclairages intérieurs latéraux qui peuvent être réglés sur Cloud White, Deep Blue ou Amber. Parce que l'appareil est livré avec une porte en verre, l'intérieur sera vu si la porte est ouverte ou fermée.

Vous pouvez choisir d'afficher chaque couleur de lumière dans deux modes différents : le mode d'affichage et le mode automatique en appuyant sur le bouton Luminosité de la lumière et en le maintenant enfoncé pendant 3 secondes. Lors de l'entrée et de la sortie du mode Sabbat, le réglage de l'éclairage interne reviendra automatiquement au mode automatique.

### **Mode automatique : LF**

Les lumières internes s'allumeront à chaque ouverture de la porte et s'éteindront une fois la porte fermée. Il s'agit du mode d'éclairage par défaut. Cette fonction est déclenchée par un capteur situé sur la grille d'aération avant qui reconnaît lorsque la porte est ouverte ou fermée.

### **Mode d'affichage : LN**

Les lumières internes resteront allumées que la porte soit ouverte ou fermée. La luminosité sera basée sur votre réglage de luminosité lorsque la porte est fermée, mais passera au réglage de luminosité le plus élevé lors de l'ouverture de la porte. Il s'agit d'un mode d'éclairage activé par l'utilisateur et consommera plus d'énergie.

## Luminosité de l'affichage

La luminosité des commandes peut être ajustée en maintenant le bouton °C/°F enfoncé et en appuyant sur le bouton Luminosité de la lumière. La luminosité augmentera lors du cycle de b1 à b2, b3 et b4, et elle diminuera de b4 directement à b1.

Appuyez sur le bouton d'éclairage intérieur et maintenez-le enfoncé pendant 3 secondes pour basculer entre le mode « CF » et le mode « CN ». L'écran affichera « CF », ce qui signifie que les commandes resteront allumées lorsque la porte est ouverte, mais elles s'éteindront au bout de 15 secondes lorsque la porte se fermera. L'écran affichera « CN », ce qui signifie que les commandes resteront activées, que la porte soit ouverte ou fermée.

## Alarme de porte ouverte

Si la porte reste ouverte pendant plus de trois minutes, une alarme sonne et le code 00 clignote à l'écran d'affichage.



## Mode Shabbath

Le mode Shabbath désactive les fonctions programmées par l'utilisateur ainsi que toutes les fonctions extérieures, y compris l'éclairage, l'affichage et les alarmes sonores. L'appareil continue de maintenir la température intérieure et les valeurs des réglages.

Pour activer ou désactiver le mode Sabbat, maintenez enfoncé le bouton °C/°F pendant 5 secondes. L'éclairage intérieur et l'affichage des commandes s'éteignent, à l'exception du bouton °C/°F, jusqu'à ce que l'utilisateur désactive le mode Sabbat. Lors de l'entrée et de la sortie du mode Sabbat, le réglage de l'éclairage interne reviendra automatiquement au mode automatique.

**REMARQUE:** Même si le tableau d'affichage n'est pas visible, les réglages de température demeurent actifs et la température intérieure est conservée. Le mode Shabbath demeure actif jusqu'à sa désactivation.

## Mode vitrine

Avec ce mode, le compresseur et les ventilateurs ne s'allument jamais, mais toutes les autres fonctions demeurent actives. Lors de l'utilisation du mode vitrine, un témoin lumineux R clignote lentement sur l'écran d'affichage.

Pour activer ou désactiver le mode vitrine, appuyez sur le bouton d'alimentation en appuyant simultanément deux fois sur le bouton de diminution de la température.

## Alarme de température

Si la température intérieure est supérieure à 73 °F (23 °C), « HI » s'affiche sur le panneau de commande de température et l'alarme de température retentit en continu après une heure. Cela indique que la température intérieure est trop élevée. Si la température intérieure est inférieure à 25°F (-4 °C), « LO » s'affiche sur le panneau d'affichage de la température et l'alarme de température retentit en continu après 15 minutes. Si l'une de ces situations se produit, veuillez consulter la section de dépannage pour obtenir de l'aide.

# Fonctionnement de votre appareil

## Dégivrage

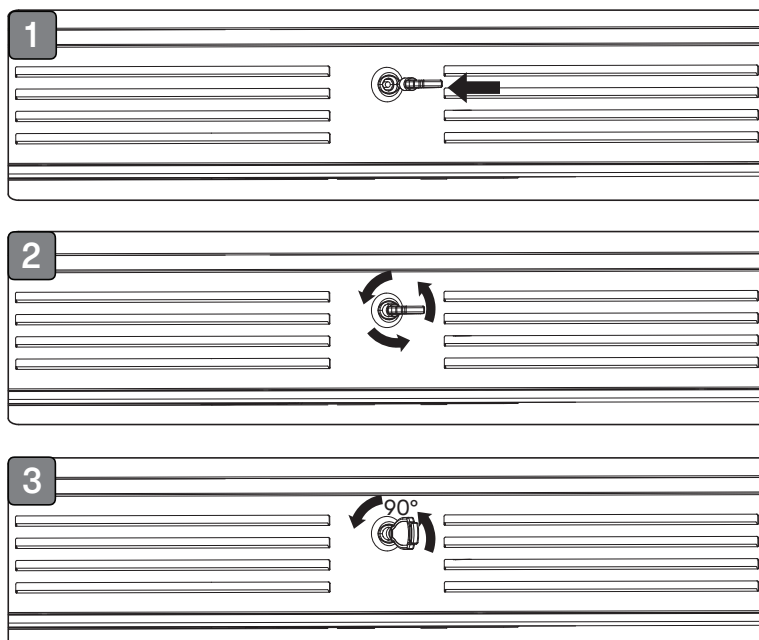
Le refroidisseur de boissons est conçu avec un système de dégivrage automatique. Toutefois, dans des environnements plus froids, il est possible que du givre s'accumule. Aussi, plus les conditions ambiantes sont humides, plus il est possible que du givre s'accumule. Dans la mesure du possible, gardez la porte fermée et évitez de l'ouvrir inutilement pour minimiser l'accumulation de givre.

Si le givre empêche la porte de se refermer adéquatement, il est possible que vous ayez à éteindre l'appareil jusqu'à la fonte totale du givre. Utilisez un chiffon absorbant pour sécher l'appareil.



## Verrou de sécurité pour enfants

La glacière à boissons est dotée d'un verrou de sécurité pour enfants conçu pour garder les boissons à l'intérieur de la glacière hors de portée des enfants. Au centre de l'évent avant, un trou de serrure sera visible. Pour verrouiller le refroidisseur de boissons, insérez la clé fournie dans le trou de la serrure et tournez la clé dans le sens antihoraire. Pour déverrouiller le refroidisseur de boissons, tournez la clé dans le sens des aiguilles d'une montre.



---

## Bruits normaux

Votre refroidisseur de boissons peut émettre des bruits auxquels vous n'êtes pas habitués. La plupart des bruits sont normaux. Les surfaces dures comme les planchers ou les murs peuvent donner l'impression que les bruits sont plus forts qu'ils le sont en réalité. Veuillez trouver ci-dessous une liste de bruits auxquels vous n'êtes peut-être pas habitués ainsi que leur source.

- ▶ La circulation de liquide réfrigérant ou d'eau peut produire des cliquetis.
- ▶ Les éléments entreposés sur le refroidisseur de boissons peuvent également faire du bruit.
- ▶ Le compresseur à haut rendement peut émettre des vibrations ou un son aigu.
- ▶ L'écoulement de l'eau entre l'évaporateur et le réservoir peut produire des bruits d'éclaboussure.
- ▶ À la fin de chaque cycle, le mouvement du liquide réfrigérant dans votre refroidisseur de boissons peut émettre des gargouillis.
- ▶ Il est possible que vous entendiez le ventilateur pousser l'air dans le condensateur.

## Nettoyage et entretien

Le nettoyage périodique et l'entretien adéquat de l'appareil assurent son efficacité, son rendement optimal et sa longévité.

### Nettoyage de l'intérieur

1. Débranchez l'appareil.
2. Ouvrez la porte, puis enlever les boissons et les tablettes.
3. Avec un chiffon propre, essuyez l'intérieur de l'appareil.
4. Réinsérez les tablettes et les boissons.
5. Rebranchez l'appareil.

### Nettoyage extérieur

La porte et l'armoire peuvent être nettoyées avec un détergent doux et une solution d'eau tiède comme deux (2) cuillères à soupe de bicarbonate de soude pour un (1) litre d'eau. N'utilisez pas de nettoyeurs à base de solvants ou abrasifs. Utilisez une éponge douce et rincez à l'eau claire. Essuyez avec une serviette propre et douce pour éviter les taches d'eau. Si le panneau de porte est en acier inoxydable, il peut se décolorer lorsqu'il est exposé au chlore et à l'humidité. Nettoyez l'acier inoxydable avec un chiffon imbibé d'un détergent doux et d'une solution d'eau tiède.

# Entretien

---

## Panne d'électricité

Most power failures are corrected within a few hours and should not affect the temperature of your appliance if you minimize the number of times the door is opened. If the power is going to be off for a longer period of time, you need to take the proper steps to protect your contents.

## Déplacement du refroidisseur de boissons

- ▶ Enlevez tous le contenu de l'appareil.
- ▶ Fixez tous les éléments libres (étagères) se trouvant à l'intérieur de l'appareil avec du ruban.
- ▶ Pour éviter tout dommage, repliez la patte ajustable vers le haut en la faisant tourner dans le sens horaire.
- ▶ Tenez la porte fermée avec du ruban.
- ▶ Assurez-vous que l'appareil demeure en position verticale pendant le transport. Protégez également l'extérieur de l'appareil avec une couverture ou une autre protection.

## Conseils d'économie d'énergie

- ▶ Vous devriez installer l'appareil à l'endroit le plus frais de la pièce, loin d'appareils produisant de la chaleur et à l'abri de la lumière directe du soleil.
- ▶ Assurez-vous que l'appareil est convenablement aéré. Ne couvrez jamais les événements.
- ▶ Ouvrez la porte le moins longtemps possible.

Problème possible	Cause possible	Solutions
L'appareil ne fonctionne pas.	Pas branché.	Assurez-vous que l'appareil est branché et que la prise de courant est sous tension.
	L'appareil est éteint.	Allumez l'appareil.
	Le disjoncteur s'est déclenché ou a un fusible grillé.	Remplacez le fusible cassé ou réinitialisez le disjoncteur.
	Le mode sabbat peut être activé.	Consultez la section Fonctionnement de votre appareil et vérifiez si le mode Sabbat est désactivé.
L'appareil n'est pas assez froid.	Le réglage du contrôle de la température est trop élevé.	Réglez la température réglée.
	L'environnement externe peut nécessiter un paramètre plus élevé.	Gardez l'appareil à l'abri du soleil ou d'autres sources de chaleur.
	La porte est ouverte trop fréquemment ou pendant de longues périodes.	Fermez bien la porte et n'ouvrez pas la porte trop fréquemment ou pendant une longue période.
	Le joint de porte n'est pas scellé correctement.	Assurez-vous que le joint de porte n'est pas desserré.
	Le mode démonstration peut être activé.	Consultez la section Fonctionnement de votre appareil et vérifiez si le mode de démonstration est désactivé.
	Le refroidisseur n'a pas une ventilation suffisante.	Lisez et suivez les «Exigences de dégagement d'installation» dans la section Instructions d'installation.
	Le refroidisseur a limité le débit d'air en raison d'un stockage trop important.	Espace ouvert dans l'armoire pour permettre la circulation de l'air.
L'appareil s'allume et s'éteint fréquemment.	La température ambiante est plus chaude que la normale.	Faites fonctionner le réfrigérateur à la température ambiante appropriée.
	Le joint de porte n'est pas scellé correctement.	Assurez-vous que le joint de porte n'est pas desserré.
	La porte est ouverte trop fréquemment ou pendant de longues périodes.	Fermez bien la porte et n'ouvrez pas la porte trop fréquemment ou pendant une longue période.
	La porte n'est pas complètement fermée	Assurez-vous que la porte est complètement fermée.

# Dépannage

Problème possible	Cause possible	Solutions
L'appareil s'allume et s'éteint fréquemment.	Le refroidisseur n'a pas une ventilation suffisante.	Lisez et suivez les «Exigences de dégagement d'installation» dans la section Instructions d'installation.
Le corps de l'appareil est électrifié.	L'unité n'est pas correctement mise à la terre.	Contactez votre électricien local pour tester votre système de mise à la terre électrique.
Du givre se forme dans l'appareil.	L'environnement est humide.	Bien que l'appareil utilise un système de dégivrage automatique, il peut être nécessaire de procéder au dégivrage manuel dans certaines conditions. Si le givre s'accumule, vous pouvez essayer de régler votre réfrigérateur à une température plus chaude, minimiser le nombre de fois où vous ouvrez la porte, ou débrancher l'appareil pour faire fondre le givre.
	La température ambiante est trop basse.	
	La porte est ouverte trop souvent.	
L'appareil fait trop de bruit.	La circulation de liquide réfrigérant peut produire des cliquetis, ce qui est normal. À la fin de chaque cycle, le mouvement du liquide réfrigérant dans votre refroidisseur de boissons peut émettre des gargouillis.	À la fin de chaque cycle, il est normal que le mouvement du liquide réfrigérant dans votre refroidisseur de boissons produise des gargouillis. Le compresseur à haut rendement peut émettre des vibrations ou un son aigu.
	La contraction et l'expansion des parois intérieures peuvent créer des bruits de craquement et d'éclatement.	Certains de ces bruits sont normaux. Ils sont causés par l'expansion et la contraction des parois intérieures en raison des changements de température.
	L'appareil n'est pas nivelé ou est en contact avec un autre électroménager.	Assurez-vous que le refroidisseur est de niveau et qu'il n'est pas en contact avec un autre électroménager ou avec un meuble.
La porte ne se ferme pas bien.	L'appareil n'est pas de niveau.	Assurez-vous que l'appareil se trouve sur une surface nivelée.
	Le joint d'étanchéité est sale.	Nettoyez le joint d'étanchéité de la porte.
La porte ne se ferme pas bien.	Le joint d'étanchéité de la porte n'est pas bien installé.	Assurez-vous que le joint d'étanchéité de la porte est bien installé.
	Les étagères ne sont pas à la bonne position.	Installez les tablettes adéquatement.

**Zephyr Ventilation, LLC (appelé aux présentes « nous ») garantit au premier acheteur (appelé aux présentes « vous ») des produits Zephyr (les « produits ») que ces produits sont exempts de défauts de matériau et de fabrication, comme suit :**

**Garantie limitée de cinq ans sur le compresseur :** Pour une période de cinq ans à partir de la date d'achat originale des produits, nous fournirons sans frais les pièces de remplacement du compresseur qui ont cessé de fonctionner en raison d'un défaut de fabrication, sous réserve des exclusions et limites énumérées ci-dessous.

**Garantie limitée de deux ans sur les pièces :** Pour une période de deux ans à partir de la date d'achat originale des produits, nous fournirons sans frais les produits ou les pièces de remplacement (hormis les ampoules DEL, s'il y a lieu) qui ont cessé de fonctionner en raison d'un défaut de fabrication, sous réserve des exclusions et limites énumérées ci-dessous. Nous pouvons choisir, à notre discrétion exclusive, de réparer ou de remplacer les pièces avant de décider de remplacer les produits.

**Garantie limitée de deux sur la main-d'œuvre :** Pour une période de deux ans à partir de la date d'achat originale des produits, nous fournirons sans frais la main-d'œuvre requise pour procéder à la réparation des produits ou des pièces qui ont cessé de fonctionner en raison d'un défaut de fabrication, sous réserve des exclusions et limites énumérées ci-dessous. Un an après la date d'achat original, vous êtes responsable de tous les frais de main-d'œuvre associés à la présente garantie.

**Pour obtenir du service en vertu de la garantie limitée :** Pour être admissible au service de garantie, vous devez (a) nous aviser à l'adresse ([www.zephyronline.com/contact](http://www.zephyronline.com/contact)) dans les soixante jours qui suivent la découverte du défaut; (b) nous fournir le numéro de modèle et le numéro de série; (c) décrire la nature de tout défaut du produit ou de la pièce. Au moment de présenter la demande de service de garantie, vous devez fournir une preuve d'achat ainsi qu'une preuve de la date d'achat originale. Si nous déterminons que l'une ou l'autre des exclusions de garantie énumérées ci-dessus s'applique à votre cas ou si vous ne nous fournissez pas les documents nécessaires pour obtenir du service, vous serez responsable de tous les frais associés à l'expédition, au déplacement et à la main-d'œuvre, ainsi que tous les autres frais liés aux services obtenus. La présente garantie ne se prolonge pas et ne recommence pas lors d'une réparation ou d'un remplacement couvert par la garantie.

**Exclusions de la garantie :** Cette garantie ne couvre que la réparation ou le remplacement, à notre discrétion, des pièces ou produits défectueux. Elle ne couvre aucun autre coût lié aux produits, y compris, sans s'y limiter, ce qui suit : (a) services d'entretien et de réparation normaux requis pour les produits et les pièces non durables, comme des filtres, des ampoules et des fusibles; (b) dommage à un produit ou à une pièce qui a été endommagé lors de l'expédition ou en raison d'un mauvais usage, de négligence, d'un accident, d'une installation fautive ou contraire aux instructions, de travaux d'entretien inadéquats ou d'une réparation inadéquate (autre que par nous); (c) utilisation commerciale ou gouvernementale des produits, utilisation allant à l'encontre de l'usage prévu; (d) usure naturelle du fini ou usure causée par un entretien inadéquat, utilisation de produits nettoyants abrasifs ou corrosifs, de tampons nettoyeurs et de produits à nettoyer les fours; (e) éclats, bosselures ou craquelures causés par une mauvaise utilisation des produits; déplacements à votre domicile pour vous montrer comment utiliser les produits; dommages aux produits causés par un accident, un incendie, une inondation, une catastrophe naturelle; (h) installation personnalisée ou modification ayant une incidence sur l'état de fonctionnement des produits; (i) dommages à des biens personnels ou altération d'aliments en raison de l'utilisation des produits. Si vous vous trouvez à l'extérieur de la région que nous desservons, des coûts supplémentaires pourraient s'appliquer à l'expédition de pièces pour une réparation sous garantie à l'un de nos points de service désignés et au déplacement d'un technicien de service à votre domicile pour réparer, désinstaller ou réinstaller les produits. Un an après la date d'achat original, vous êtes également responsable de tous les frais de main-d'œuvre associés à la présente garantie. Tous les produits doivent être installés par un installateur professionnel qualifié pour pouvoir recevoir des services d'entretien ou de réparation sous garantie.

**Limites de la garantie : NOTRE OBLIGATION DE RÉPARER OU DE REMPLACER LES PRODUITS, À NOTRE DISCRÉTION, CONSTITUE VOTRE RECOURS UNIQUE ET EXCLUSIF EN VERTU DE LA PRÉSENTE GARANTIE. NOUS NE POURRONS EN AUCUN CAS ÊTRE TENUS RESPONSABLES DE TOUT DOMMAGE INDIRECT, CONSÉCUTIF OU PARTICULIER ATTRIBUABLE OU LIÉ À L'UTILISATION OU AU RENDEMENT DES PRODUITS. LES GARANTIES EXPRESSES DE LA SECTION ANTÉRIEURE SONT EXCLUSIVES ET REMPLACENT TOUTES LES AUTRES GARANTIES EXPRESSES. NOUS REJETONS ET EXCLUONS AUX PRÉSENTES TOUTES LES AUTRES GARANTIES EXPRESSES COUVRANT LES PRODUITS AINSI QUETOUTES LES GARANTIES IMPLICITES EN VERTU DE LA LOI, Y COMPRIS CELLES RELATIVES À LA QUALITÉ MARCHANDE ET À L'ADÉQUATION À UN USAGE PARTICULIER.** Dans les états ou provinces ne permettant pas une limite de la durée d'une garantie implicite, ou une exclusion ou limite des dommages indirects ou consécutifs, les limites et exclusions mentionnées ci-dessus ne s'appliquent pas. Dans la mesure où les lois en vigueur interdisent l'exclusion de garanties implicites, la durée de toute garantie implicite pertinente se limite aux mêmes périodes d'un an et de deux ans décrites ci-dessus, si les lois en vigueur le permettent. Toute description orale ou écrite des produits ne sert qu'à identifier les produits et ne peut être considérée comme une garantie expresse. Avant d'utiliser, de mettre en marche ou de permettre l'utilisation des produits, vous devez déterminer la pertinence des produits pour leur usage prévu, et vous devez assumer tous les risques et toutes les responsabilités liés d'une manière ou d'une autre à cette décision. Nous nous réservons le droit d'utiliser des pièces ou produits réparés ou remis en état dont le fonctionnement est équivalent aux pièces originales lorsque nous effectuons un remplacement ou une réparation sous la garantie. Le premier acheteur ne peut transférer cette garantie, qui n'est valide que dans le domicile du consommateur où le produit a été installé à l'origine, aux États-Unis ou au Canada. Cette garantie ne peut être transférée à un revendeur.

Veillez consulter notre site Web pour obtenir de plus amples renseignements sur nos produits à [www.zephyronline.com](http://www.zephyronline.com).

# Enregistrement du produit

## N'oubliez pas d'enregistrer votre réfrigérateur Zephyr Presrv™

Félicitations pour votre achat de Presrv ! Veuillez prendre quelques instants pour enregistrer votre nouveau réfrigérateur.

### C'EST IMPORTANT

L'enregistrement de votre produit aide à bien des égards

- Il assure la couverture de votre garantie si vous avez besoin de service après-vente.
- À des fins d'assurance, il permet de confirmer que vous êtes le propriétaire.
- Il vous permet de recevoir des avis concernant des modifications ou des rappels de produits.

### Que diriez-vous d'un avis?

Pendant que vous y êtes, laissez un commentaire et dites-nous à quel point vous aimez votre nouveau réfrigérateur.



**Enregistrer**

[zephyronline.com/registration](https://zephyronline.com/registration)



**Passer en revue**

[qrs.ly/c7ea9sj](https://qrs.ly/c7ea9sj)

Recherchez votre numéro de modèle Presrv dans la barre de navigation supérieure

# ZEPHYR

[zephyronline.com](https://zephyronline.com) | 2277 Harbor Bay Pkwy. | Alameda, CA 94520