

PRESRV™

BEVERAGE
COOLER

SINGLE ZONE
BLACK STAINLESS STEEL



Our Presrv™ Beverage Cooler in black stainless steel is as chill as it looks and is always ready to party. A sleek alternative to stainless steel, this cooler features a Full-Extension Wood Rack to hold your favorite wine and craft brew and a convenient retractable glass quarter-shelf that gives

you the flexibility to display taller bottles such as water, 2-liter bottles of soda, or champagne. New enhancements include mood-setting LED light strips in three colors and four light levels and an updated kickplate with lock.

ZEPHYR
ZEPHYRONLINE.COM



Full-Extension Wood Rack



Black Stainless Steel Handle

How Presrv™ Stands Out:

34°

PreciseTemp™

Multiple internal sensors help maintain accurate temperatures and increase overall performance



Active Cooling Technology

An on-board computer controls an active cooling fan to provide temperature stability and even cooling



Vibration Dampening System

Enhanced technology ensures noise and vibration is reduced to minimize wine disturbance



3-Color LED Lighting

Available in Cloud White, Deep Blue and Amber

MODEL

Single Zone Beverage Cooler
Black Stainless Steel

PRB24C01CBSG

Size 24"
Dimensions 23-7/8"W x 33-7/8"H x 23-5/8"D
Weight 112lbs.
Installation Type Compact / Built-in / Freestanding
Refrigerant Type R600a

FEATURES

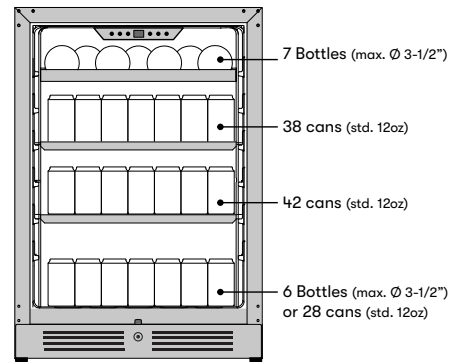
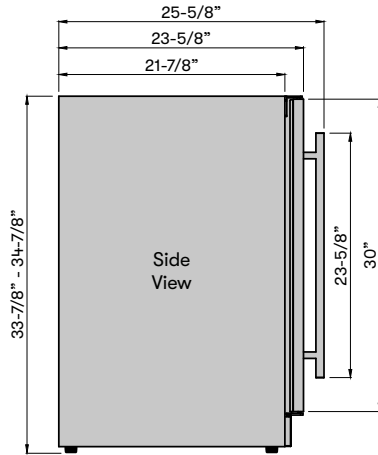
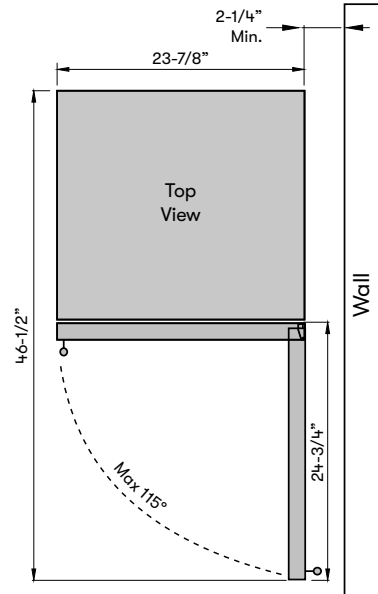
Capacity 7 bottles (750 ml), 108 12oz cans or 13 bottles (750 ml), 80 12oz cans
Volume 5.6 cu/ft
Temperature Range 34° - 50° F
Sound Level 39 dBA
Door Finish Black Stainless + Glass
Cabinet Finish Black
Interior Finish Black
Field-Reversible Door Yes
Zero-Clearance Door Hinges Yes, concealed
Door Glass Dual-pane, Low-E Argon-filled*
Shelving - Wood 1 full-extension, black wood rack w/ black stainless trim
Shelving - Beverage 1 adjustable, transparent-gray glass retractable quarter-shelf
1 adjustable, transparent-gray glass shelf w/ airflow openings
Controls 3-Color Electronic Touch
Lighting 3-Color LED Light Strips
Cloud White, Deep Blue, Amber
Four Light Levels Yes
Door Open Alarm Yes, after 3 minutes
Door Lock Yes
Sabbath Mode Yes
ENERGY STAR® Certified Yes
Air Filtration Yes, w/ carbon filter
PreciseTemp™ Yes
Active Cooling Technology Yes
Vibration Dampening System Yes

AC POWER 115V, 60Hz at Max. 1.5A

OPTIONAL ACCESSORIES

Contemporary Handle PRHAN-C101 (Stainless Steel)
Contemporary Handle PRHAN-C102 (Brushed Gold)
Contemporary Handle PRHAN-C104 (Matte Black)
Pro Handle PRHAN-C001 (Stainless Steel)
Pro Handle PRHAN-C003 (Brushed Gold)
Pro Handle PRHAN-C004 (Matte Black)
Adjustable Drink Caddy PRDC-C03

WARRANTY 2 years parts, 2 years labor
5 years compressor



*Dual-pane, argon-filled glass improves insulation to minimize heat exchange and increases soundproofing characteristics. The Low-E coating helps minimize the amount of UV and infrared light that passes through the glass door.

Transforming the Kitchen through Design, Discovery, and Care

Specifications subject to change, check zephyronline.com for up-to-date information.
Zephyr | 2277 Harbor Bay Parkway, Alameda, CA 94502 | 888.880.8368

