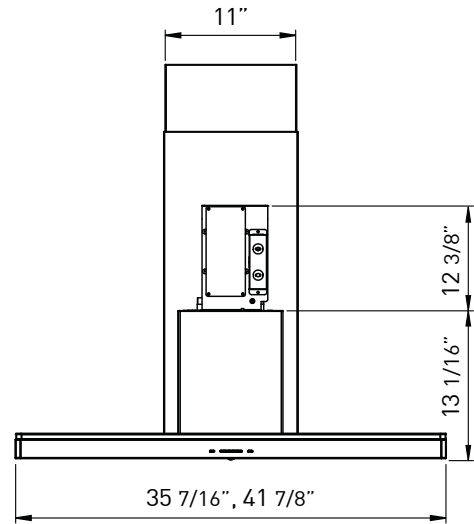
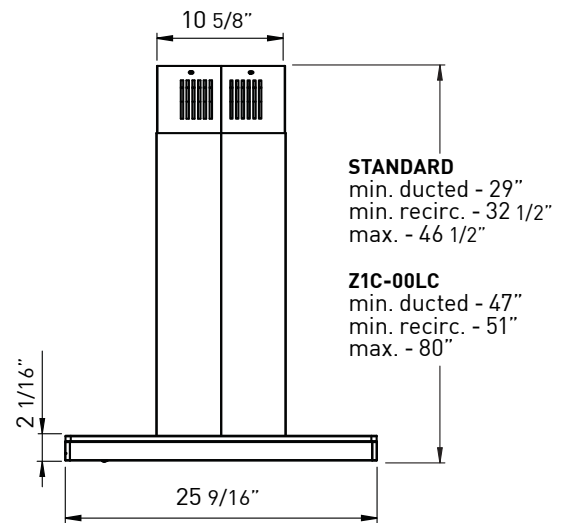


ACT™

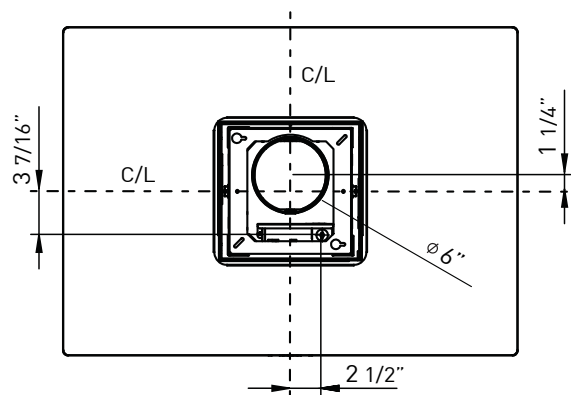
Min. - Max. CFM	INTERNAL BLOWER STANDARD	INTERNAL BLOWER with ACT™ AIRFLOW CONTROL TECHNOLOGY™*	
		200 - 600	200 - 390
Min. - Max. Sones	1 - 6	*AIRFLOW CONTROL TECHNOLOGY™ (ACT™) is an exclusive feature built into specific Zephyr hoods which can limit the maximum blower CFM to meet local code requirements.	



FRONT



SIDE



TOP

## MODEL

Stainless Steel w/ Accent Lighting Size	ZLC-M90CS 36"	ZLC-E42CS 42"
---	------------------	------------------

Blower CFM (Min. - Max.)	200 - 600	200 - 600
Sones (Min. - Max.)	1 - 6	1 - 6
ACT 390 CFM (Min. - Max.)	200 - 390	200 - 390
ACT 290 CFM (Min. - Max.)	200 - 290	200 - 290

## FEATURES

ACT™ Technology	Yes	Yes
Controls	ICON Touch®	ICON Touch®
Speed Levels	5*	5*
Auto Delay-Off	Yes	Yes
Lighting	LumiLight LED, 6W x4	LumiLight LED, 6W x4
Dual-Level Lighting	Yes	Yes
LED Accent Light	Yes; Cloud White, Deep Blue & Amber	Yes; Cloud White, Deep Blue & Amber
Filters	Aluminum Mesh x2	Aluminum Mesh x2
Recirculating Option	Yes	Yes
Quick-Lock Installation	Yes	Yes
Magnetic Duct Covers	Yes	Yes
Extension Duct Cover Option	Yes, Up to 12' Ceiling	Yes, Up to 12' Ceiling
ADA Compliant	Yes, w/ remote accessory	Yes, w/ remote accessory

## DUCT SPECIFICATIONS

Vertical Internal Blower	6" Round	6" Round
Horizontal Internal Blower	NA	NA
AC POWER	120V, 60Hz at Max. 3A	120V, 60Hz at Max. 3A

## OPTIONAL ACCESSORIES

Wireless Remote Control Kit	RC-0002	RC-0002
Recirculating Kit	ZRC-00LC	ZRC-00LC
Extension Duct Cover	Z1C-00LC	Z1C-00LC
Make-Up Air Kit	MUA006A	MUA006A

MOUNTING HEIGHT RANGE**	24" - 34"	24" - 34"
-------------------------	-----------	-----------

WARRANTY	3 years parts, 1 year labor	3 years parts, 1 year labor
----------	-----------------------------	-----------------------------

CEILING HEIGHT		8'	8.5'	9'	9.5'	10'	10.5'	11'	12'
STANDARD DUCT COVER	Ducted Mounting Height**	24" - 32"	24" - 34"	25.5" - 34"	31.5" - 34"	NA	NA	NA	NA
	Recirc Mounting Height**	24" - 27.5"	24" - 33.5"	25.5" - 34"	31.5" - 34"	NA	NA	NA	NA
EXTENSION DUCT COVER	Ducted Mounting Height**	NA	NA	24" - 25"	24" - 31"	24" - 34"	24" - 34"	24" - 34"	28" - 34"
	Recirc Mounting Height**	NA	NA	NA	24" - 27"	24" - 33"	24" - 34"	24" - 34"	28" - 34"

\*When ACT™ is enabled the maximum speed levels will change. ACT 390 CFM = 3 speeds and ACT 290 CFM = 2 speeds.

\*\*Mounting height refers to distance between top of a 36" tall cooking surface and bottom of hood.

ACT™

**Airflow Control Technology™ (ACT™)**

is an exclusive feature built into specific Zephyr hoods which can limit the maximum blower CFM to meet local code requirements.

Specifications subject to change, check zephyronline.com for up-to-date information.  
Zephyr Ventilation | 2277 Harbor Bay Parkway, Alameda, CA 94502 | 888.880.VENT

MAR23.0101

