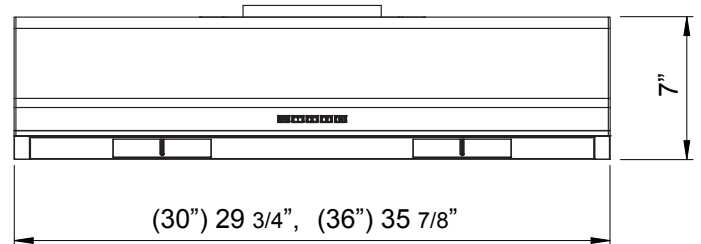


ACT™

Min. - Max. CFM	INTERNAL BLOWER STANDARD	INTERNAL BLOWER with ACT™ AIRFLOW CONTROL TECHNOLOGY™*	
	290 - 695	290 - 390	290 - 290
Min. - Max. Sones	1.5 - 5.5	1.5 - 3	1.5 - 1.5

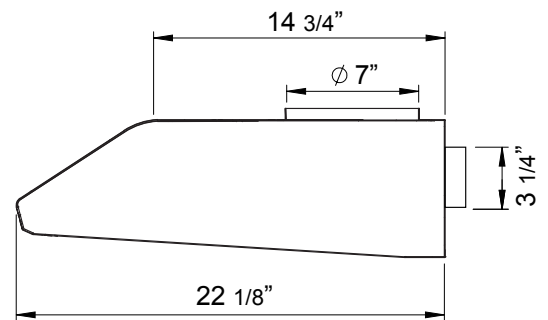
*AIRFLOW CONTROL TECHNOLOGY™ (ACT™) is an exclusive feature built into specific Zephyr hoods which can limit the maximum blower CFM to meet local code requirements.



Front



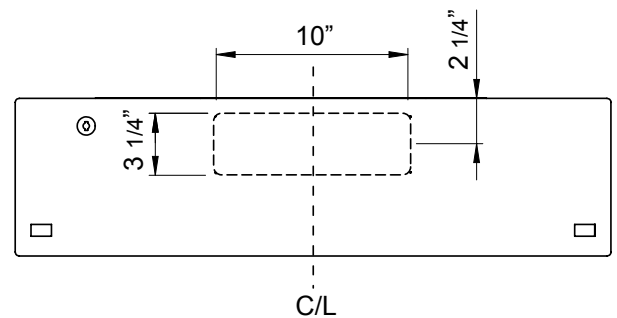
Stainless Steel



Side



Black



Back



White

MODEL	AK2500CB	AK2536CB
Black	AK2500CW	AK2536CW
White	AK2500CS	AK2536CS
Stainless Steel		
Size	30" (29-3/4")	36" (35-7/8")
Blower CFM (Min. - Max.)	290 - 695	290 - 695
Sones (Min. - Max.)	1.5 - 5.5	1.5 - 5.5
ACT 390 CFM (Min. - Max.)	290 - 390	290 - 390
ACT 390 Sones (Min. - Max.)	1.5 - 3	1.5 - 3
ACT 290 CFM (Min. - Max.)	290 - 290	290 - 290
ACT 290 Sones (Min. - Max.)	1.5	1.5
FEATURES		
ACT™ Technology	Yes	Yes
Controls	Electronic Touch	Electronic Touch
Speed Levels	3*	3*
Auto Delay-Off	Yes	Yes
Lighting	LumiLight LED, 6W x2	LumiLight LED, 6W x2
Dual-Level Lighting	Yes	Yes
Removable Safety Grilles	2	2
Recirculating Option	No	No
Self Cleaning	Yes	Yes
DUCT SPECIFICATIONS		
Vertical Internal Blower	7" Round or 3-1/4" x 10"	7" Round or 3-1/4" x 10"
Horizontal Internal Blower	3-1/4" x 10"	3-1/4" x 10"
AC POWER	120V, 60Hz at Max. 2A	120V, 60Hz at Max. 2A
OPTIONAL ACCESSORIES		
Make-Up Air Kit	MUA008A	MUA008A
Damper, 7" Round	AK00067	AK00067
MOUNTING HEIGHT RANGE**	24" - 32"	24" - 32"
WARRANTY	10 years parts, 1 year labor	

*When ACT is enabled the maximum speed levels will change. ACT 390 CFM = 2 speeds and ACT 290 CFM = 1 speed.

**Mounting height refers to distance between top of a 36" tall cooking surface and bottom of hood.

ACT™ AIRFLOW CONTROL TECHNOLOGY™ (ACT™)
is an exclusive feature built into specific Zephyr hoods which can limit the maximum blower CFM to meet local code requirements.

Specifications subject to change, check zephyronline.com for up-to-date information.
Zephyr Ventilation | 2277 Harbor Bay Parkway, Alameda, CA 94502 | 888.880.VENT

FEB21.0101

