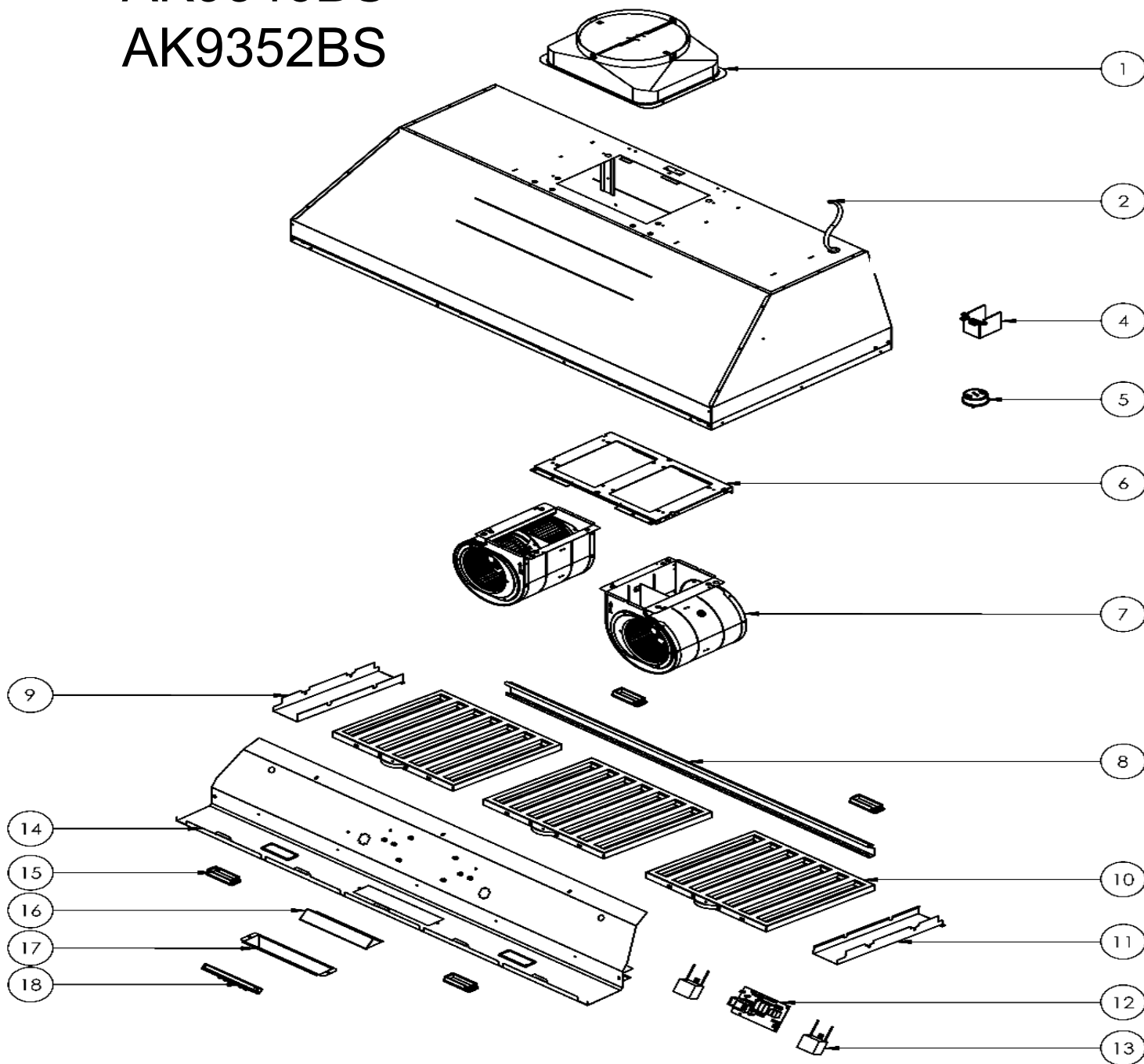


AK9334BS
AK9340BS
AK9346BS
AK9352BS



AK9334BS, AK9340BS, AK9346BS, AK9352BS

Ref #	Part #	Description	Qty.
1	54050081	10 Inch Collar w/Damper	1
2	11030112	Electrical Power Cord	1
4	54200011	Electrical Junction Box	1
5	14000005	Wireless RF Remote Control	1
5-1	15000007	Remote Control Battery, A23 12V	1
6	54190038	Dual Internal Blower Plate	1
7	12120070	Blower	2
8	56130046	Residue Tray, AK9334BS & AK9340BS	1
8	56130047	Residue Tray, AK9346BS & AK9352BS	1
9	50120190	Left Side Panel, AK9334BS	1
9	50120192	Left Side Panel, AK9340BS	1
9	50120194	Left Side Panel, AK9352BS	1
10	50210038	Pro Baffle Filter, AK9334BS & AK9340BS x 2	3
11	50120191	Right Side Panel, AK9334BS	1
11	50120193	Right Side Panel, AK9340BS	1
11	50120195	Right Side Panel, AK9352BS	1
12	11010122	Control Board	1
13	12050028	Capacitor	2
14	50110303	Light Panel, AK9334BS	1
14	50110304	Light Panel, AK9340BS	1
14	50110305	Light Panel, AK9346BS	1
14	50110306	Light Panel, AK9352BS	1
15	Z0B0047	LumiLight LED, 6W, DC	4
16	54140301	Switch Holding Bracket	1
17	52170055	Switch Cover Plate	1
18	11000145	Switch Assembly	1
19	05000152	Hardware Packet	1