

ZEPHYR



ZEPHYR VENTILATION COLLECTIONS

THIS IS ZEPHYR

A company driven by the idea that everything in the home is an opportunity for personal expression. That's why we've raised the kitchen hood to its rightful place as a distinctive design element that also delivers powerful performance.







DESIGNER PARTNERSHIPS

Since 1997 Zephyr has been on the forefront of kitchen ventilation – reinventing the range hood and elevating its place in the kitchen. Partnering with world class product designers and striving to push the boundaries of ventilation performance and technology. This is reflected in the Designer Collection of products, perfect for the consumer that cares about form and function.

Fu-Tung Cheng

Individual. Elegant. Inspired. Fu-Tung's work is internationally known for its sophisticated, understated design and innovative use of materials, encompassing the importance of timeless design, the essence of hands-on craft building, and the balance of luxury and conscience.

Robert Brunner

Transformative. Revolutionary. Game Changing. Statements like these have followed Robert Brunner throughout his career – initially as founder of Apple's first industrial design group and today as co-founder of Ammunition Design group.







EVER-EVOLVING INNOVATION

We believe the kitchen appliance category can always improve and we are always pushing the boundaries – of performance, technology, safety, and service – to lead our industry forward.

Industry Changing Technology

PowerWave™ Blower Technology

Designed to deliver best-in-class performance with unparalleled quiet operation, Zephyr PowerWave™ represents a breakthrough in kitchen technology. The first range hood blower with three-phase AC power, PowerWave™ has unique aerodynamic blades to help move up to 750 CFM of air while minimizing noise and improving efficiency. PowerWave™ is also versatile by allowing you to combine two blowers together to achieve 1,300 CFM, making it the most powerful dual-internal blower on the market.

DCBL®

DCBL Suppression System® is the industry's first range hood motor powered by direct current (DC) energy. An evolutionary step from the traditional AC powered range hood. Up to 77% more energy efficient with up to 77% less noise with every breath you take. Features like, Bloom™ HD LED light bulbs, the industry's first dimmable LED bulbs and an on-board computer that actively optimizes your range hood's performance.

Airflow Control Technology™, (ACT™)

We are proud to announce the industry's first Airflow Control Technology™ (ACT™); an exclusive feature built into specific Zephyr hoods which can limit the maximum blower CFM to 590, 390 or 290 to meet local code requirements.

Black Stainless Steel

Our Black Stainless Steel is a sleek new alternative to stainless steel that provides a sophisticated edge to kitchen design with its anti-smudge fingerprint resistant finish. Available on select models.

LED Lighting Advancements

The future is bright with our BriteStrip™ LED and GU10 LED replacement bulbs – now all range hoods can have an upgraded lighting option.

THE COLLECTIONS

We think you'll find that our Designer, Core, and Pro Collections offer the ultimate combination: performance driven technology and peerless design.

P. 9



DESIGNER

Timeless luxury design



CORE

Accessible design & innovation



PRO

Power & performance



DESIGNER COLLECTION

By partnering with a select number of renowned industrial and interior designers, we've developed our Designer Collection to not only be design-driven but to also feature the very latest in innovation and efficient technology. The Designer Collection is perfect for the consumer that cares about form and function in equal measure.

DUO

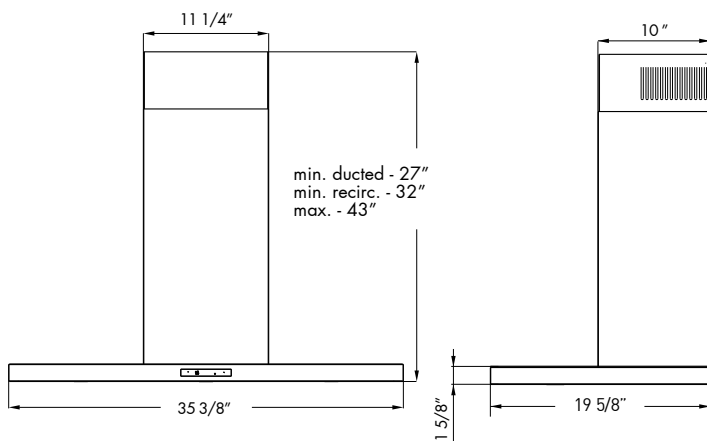
WALL
 DESIGNER:
 ZEPHYR CREATIVE TEAM

An ideal duo of materials, Duo can be paired with a wood overlay using our template as the guide. Or if you prefer the simplicity of a slim profile of stainless steel canopy, keep the Duo Wall as-is; for the stylish, and contemporary

kitchen. Now available with a tri-level LED light strip.

MODEL	ADU-M90BSX Stainless Steel
SIZES	36"
Internal Blower CFM*	290, CBI-290A
Internal Blower CFM*	600, CBI-600A
In-line Blower CFM*	1,000, PBN-1000A
External Blower CFM*	1,000, CBE-1000
FEATURES	
Sones	1.4 - 6
Controls	Capacitive Touch
Speed Levels	3
Auto Delay-Off	Yes
CleanAir Function	Yes
Remote Control	Yes, Wireless
Lighting	LED Strip
Tri-Level Lighting	Yes
Filters	Decorative Mesh
Recirculating	Yes
Duct Cover Extension	Yes

OPTIONAL ACCESSORIES	
Recirculating Kit	ZRC-01LA
Duct Cover Extension	Z1C-00LA
Make-Up Air Kit	MUA006A MUA008A



*Blower sold separately

INCLINE

WALL
 DESIGNER:
 ZEPHYR CREATIVE TEAM

Vertical style ventilation at its finest. The Incline wall hood brings clean lines and a touch of chic to your transitional, minimal or modern kitchen. Cook away while the Incline cleans the air, and enjoy the tri-level LED light strip and

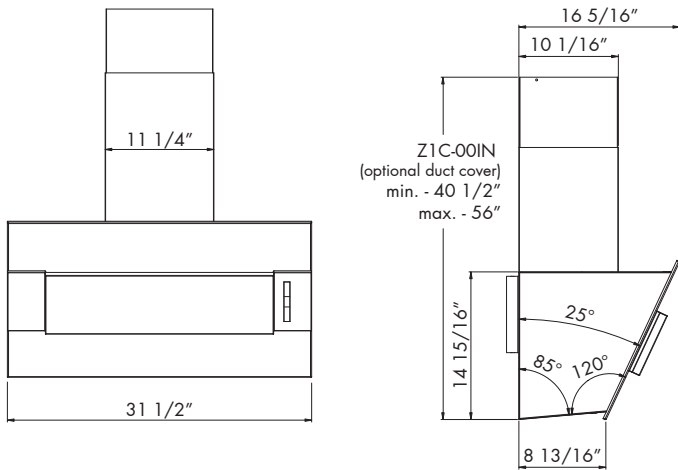
the wireless remote control. Perimeter Aspiration coupled with dual filtration keeps your kitchen smoke and debris-free, and proves the Incline is more than just a pretty face.

MODEL
 AIN-M80ASX
 Stainless Steel
 AIN-M80AWX
 White with Stainless Steel

SIZES
 31-1/2"
Internal Blower CFM*
 290, CBI-290A
Internal Blower CFM*
 600, CBI-600A
In-line Blower CFM*
 1,000, PBN-1000A
External Blower CFM*
 1,000, CBE-1000

FEATURES
Sones 1.4 - 6
Controls Capacitive Touch
Speed Levels 3
Auto Delay-Off Yes
CleanAir Function Yes
Remote Control Yes, Wireless
Lighting LED Strip
Tri-Level Lighting Yes
Filters Aluminum Mesh
Recirculating Yes

OPTIONAL ACCESSORIES
Recirculating Kit ZRC-00IN
Duct Cover (10' ceiling) Z1C-00IN
Make-Up Air Kit MUA006A
 MUA008A



*Blower sold separately

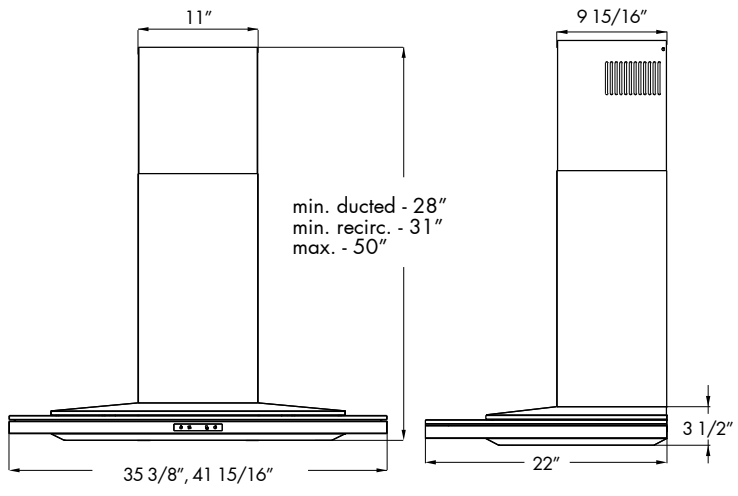
LAYERS

WALL
 DESIGNER:
 ROBERT BRUNNER

A streamlined fusion of black or white glass and stainless steel with a light floating effect are sandwiched together in a reimagining of the classic range hood. Now available with a tri-level LED light strip.

MODEL	ALA-M90BBX Stainless Steel w/ Black glass ALA-M90BWX Stainless Steel w/ White glass	ALA-E42BBX Stainless Steel w/ Black glass ALA-E42BWX Stainless Steel w/ White glass
SIZES	36"	42"
Internal Blower CFM*	290, CBI-290A	290, CBI-290A
Internal Blower CFM*	600, CBI-600A	600, CBI-600A
In-line Blower CFM*	1,000, PBN-1000A	1,000, PBN-1000A
External Blower CFM*	1,000, CBE-1000	1,000, CBE-1000
FEATURES		
Sones	1.4 - 6	1.4 - 6
Controls	Capacitive Touch	Capacitive Touch
Speed Levels	3	3
Auto Delay-Off	Yes	Yes
CleanAir Function	Yes	Yes
Remote Control	Yes, Wireless	Yes, Wireless
Lighting	LED Strip	LED Strip
Tri-Level Lighting	Yes	Yes
Filters	Decorative Mesh	Decorative Mesh
Recirculating	Yes	Yes
Duct Cover Extension	Yes	Yes

OPTIONAL ACCESSORIES		
Recirculating Kit	ZRC-01LA	ZRC-01LA
Duct Cover Extension	Z1C-00LA	Z1C-00LA
Make-Up Air Kit	MUA006A MUA008A	MUA006A MUA008A



*Blower sold separately

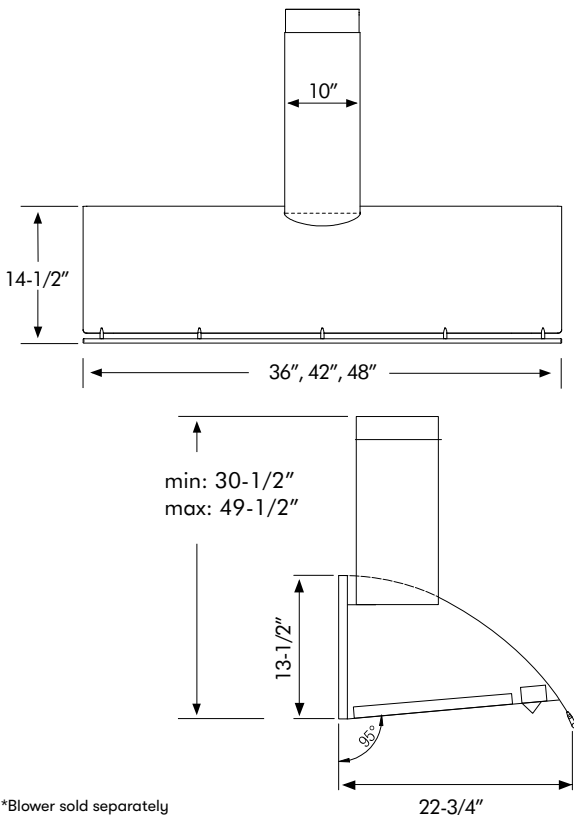
OKEANITO

LIMITED EDITION WALL
DESIGNER:
FU-TUNG CHENG

The new Limited Edition Okeanito models are a testament to Cheng’s creative rethink of industrial materials and Zephyr’s commitment to delivering the unexpected –

in this case mixed metal ventilation hoods which embrace the eclectic, industrial chic aesthetic people love.

MODEL	COK-E36BBMX Black Mirror Stainless Steel COK-E36BRGX Rose Gold Stainless Steel	COK-E42BBMX Black Mirror Stainless Steel COK-E42BRGX Rose Gold Stainless Steel	COK-E48BBMX Black Mirror Stainless Steel COK-E48BRGX Rose Gold Stainless Steel
SIZE	36"	42"	48"
Internal Blower CFM*	290, CBI-290A	290, CBI-290A	290, CBI-290A
Internal Blower CFM*	600, CBI-600A	600, CBI-600A	600, CBI-600A
In-line Blower CFM*	1,000, PBN-1000A	1,000, PBN-1000A	1,000, PBN-1000A
External Blower CFM*	1,000, CBE-1000	1,000, CBE-1000	1,000, CBE-1000
FEATURES			
Sones	1.4 - 6	1.4 - 6	1.4 - 6
Controls	Electronic Touch	Electronic Touch	Electronic Touch
Speed Levels	3	3	3
Auto Delay-Off	Yes	Yes	Yes
CleanAir Function	Yes	Yes	Yes
Lighting - Primary	Bloom™ HD LED	Bloom™ HD LED	Bloom™ HD LED
Lighting - Ambient	Incandescent	Incandescent	Incandescent
Dual Level Lighting	Yes, LED	Yes, LED	Yes, LED
Filters	Pro Baffle	Pro Baffle	Pro Baffle
Wireless Remote Control	Optional	Optional	Optional
Recirculating	No	No	No
Duct Cover Extension	No	No	No
OPTIONAL ACCESSORIES			
Make-Up Air Kit	MUA006A MUA008A	MUA006A MUA008A	MUA006A MUA008A
Wireless Remote Control	14000005	14000005	14000005



*Blower sold separately

OKEANITO

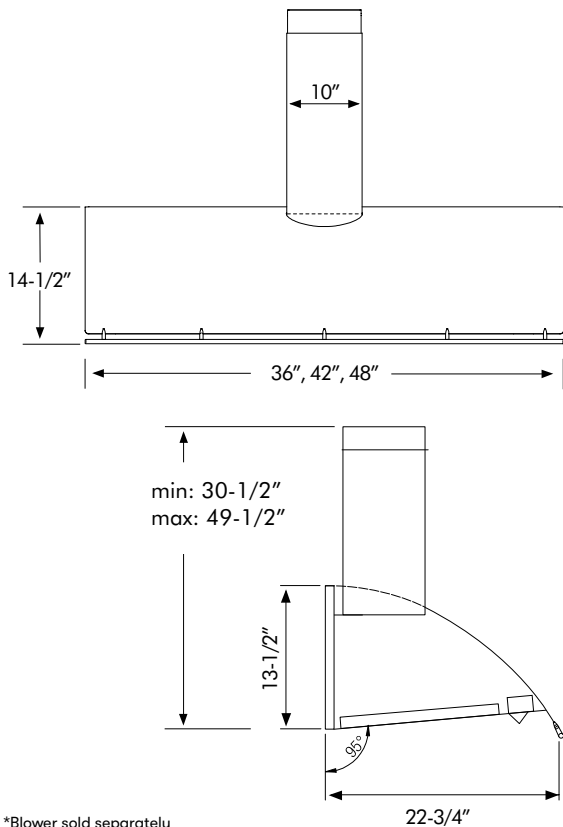
A sleek combination of whimsy and discipline, the Okeanito boasts perforated side panels that radiate gentle ambient light, infusing its surroundings with a sense of grace and calm.

WALL
DESIGNER:
FU-TUNG CHENG

MODEL	COK-E36BSX Stainless Steel	COK-E42BSX Stainless Steel	COK-E48BSX Stainless Steel
SIZE	36"	42"	48"
Internal Blower CFM*	290, CBI-290A	290, CBI-290A	290, CBI-290A
Internal Blower CFM*	600, CBI-600A	600, CBI-600A	600, CBI-600A
In-line Blower CFM*	1,000, PBN-1000A	1,000, PBN-1000A	1,000, PBN-1000A
External Blower CFM*	1,000, CBE-1000	1,000, CBE-1000	1,000, CBE-1000
FEATURES			
Sones	1.4 - 6	1.4 - 6	1.4 - 6
Controls	Electronic Touch	Electronic Touch	Electronic Touch
Speed Levels	3	3	3
Auto Delay-Off	Yes	Yes	Yes
CleanAir Function	Yes	Yes	Yes
Lighting - Primary	Bloom™ HD LED	Bloom™ HD LED	Bloom™ HD LED
Lighting - Ambient	Incandescent	Incandescent	Incandescent
Dual Level Lighting	Yes, LED	Yes, LED	Yes, LED
Filters	Pro Baffle	Pro Baffle	Pro Baffle
Wireless Remote Control	Optional	Optional	Optional
Recirculating	No	No	No
Duct Cover Extension	Yes, Up to 12' Ceiling	Yes, Up to 12' Ceiling	Yes, Up to 12' Ceiling

OPTIONAL ACCESSORIES

Duct Cover Extension	Z1C-000K	Z1C-000K	Z1C-000K
Make-Up Air Kit	MUA006A	MUA006A	MUA006A
	MUA008A	MUA008A	MUA008A
Wireless Remote Control	14000005	14000005	14000005



Featured image on page 82.

*Blower sold separately

WAVE

WALL
 DESIGNER:
 ZEPHYR CREATIVE TEAM

The Wave looks great with any number of décor styles, from transitional to modern, and the elegant tilt lends a slim profile to this kitchen workhorse. Ingenious dual capture zones ensure a smoke and debris-free kitchen. Offering a

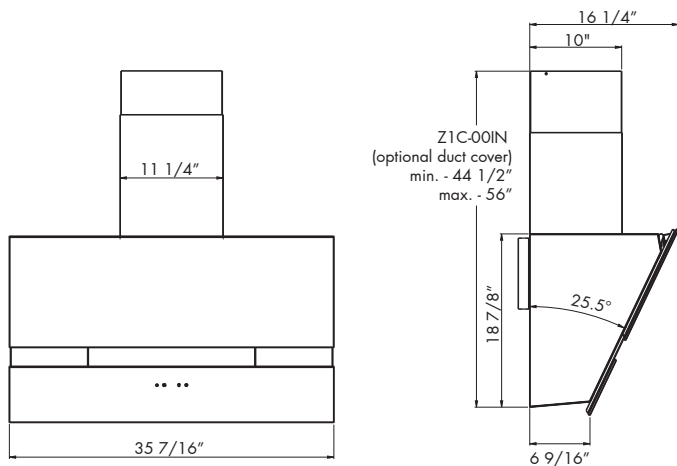
glowing tri-level LED light strip, and a choice of black or white glass and an optional duct cover, the Wave is a true kitchen classic.

MODEL
 AWA-M90ABX
 Stainless Steel w/ Black glass
 AWA-M90AWX
 Stainless Steel w/ White glass

SIZE
 36"
Internal Blower CFM*
 290, CBI-290A
Internal Blower CFM*
 600, CBI-600A
In-line Blower CFM*
 1,000, PBN-1000A
External Blower CFM*
 1,000, CBE-1000

FEATURES
Sones 1.4 - 6
Controls Capacitive Touch
Speed Levels 3
Auto Delay-Off Yes
CleanAir Function Yes
Remote Control Yes, Wireless
Lighting LED Strip
Tri-Level Lighting Yes
Filters Aluminum Mesh
Recirculating Yes

OPTIONAL ACCESSORIES
Recirculating Kit ZRC-00WA
Duct Cover (10' ceiling) Z1C-00IN
Make-Up Air Kit MUA006A
 MUA008A



*Blower sold separately

DUO

ISLAND
 DESIGNER:
 ZEPHYR CREATIVE TEAM

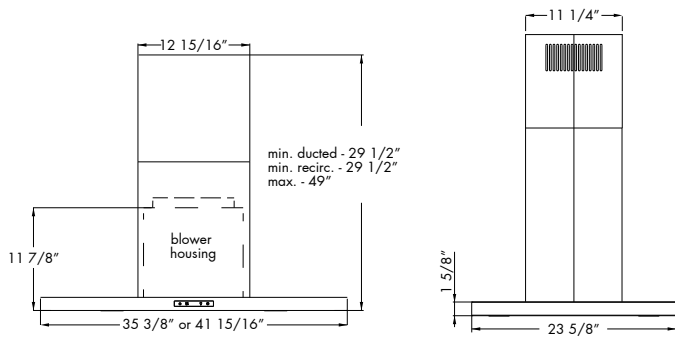
Streamlined and stunning, Duo Island range hood can be paired with a wood overlay to compliment your cabinetry, using our template as the guide. Or, if you prefer the simplicity of a slim profile stainless steel canopy, keep the Duo

Island as-is for the stylish, and contemporary kitchen.

MODEL	ADL-M90BSX Stainless Steel	ADL-E42BSX Stainless Steel
SIZES	36"	42"
Internal Blower CFM*	290, CBI-290A	290, CBI-290A
Internal Blower CFM*	600, CBI-600A	600, CBI-600A
In-line Blower CFM*	1,000, PBN-1000A	1,000, PBN-1000A
External Blower CFM*	1,000, CBE-1000	1,000, CBE-1000
FEATURES		
Sones	1.4 - 6	1.4 - 6
Controls	Capacitive Touch	Capacitive Touch
Speed Levels	3	3
Auto Delay-Off	Yes	Yes
CleanAir Function	Yes	Yes
Remote Control	Yes, Wireless	Yes, Wireless
Lighting	LED Strip	LED Strip
Tri-Level Lighting	Yes	Yes
Filters	Decorative Mesh	Decorative Mesh
Quick-Lock Installation	Yes	Yes
Recirculating	Yes	Yes
Duct Cover Extension	Yes	Yes

OPTIONAL ACCESSORIES

Recirculating Kit	ZRC-01LL	ZRC-01LL
Duct Cover Extension	Z1C-02LL	Z1C-02LL
Make-Up Air Kit	MUA006A	MUA006A
	MUA008A	MUA008A



*Blower sold separately

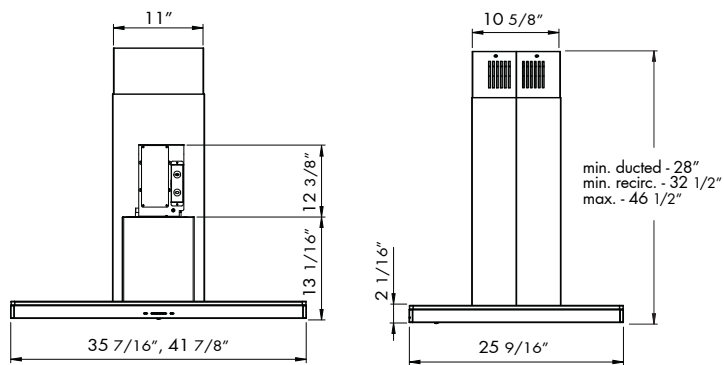
LAYERS

ISLAND
 DESIGNER:
 ROBERT BRUNNER

This bold take on the classic island range hood is a streamlined fusion of glass and stainless steel that lends new meaning to "leading edge". Choose from white or black glass. Now with LED light strips.

MODEL	ALL-M90BBX Stainless Steel w/ Black glass ALL-M90BWX Stainless Steel w/ White glass	ALL-E42BBX Stainless Steel w/ Black glass ALL-E42BWX Stainless Steel w/ White glass
SIZES	36"	42"
Internal Blower CFM*	290, CBI-290A	290, CBI-290A
Internal Blower CFM*	600, CBI-600A	600, CBI-600A
In-line Blower CFM*	1,000, PBN-1000A	1,000, PBN-1000A
External Blower CFM*	1,000, CBE-1000	1,000, CBE-1000
FEATURES		
Sones	1.4 - 6	1.4 - 6
Controls	Capacitive Touch	Capacitive Touch
Speed Levels	3	3
Auto Delay-Off	Yes	Yes
CleanAir Function	Yes	Yes
Remote Control	Yes, Wireless	Yes, Wireless
Lighting	LED Strip	LED Strip
Tri-Level Lighting	Yes	Yes
Filters	Decorative Mesh	Decorative Mesh
Quick-Lock Installation	Yes	Yes
Recirculating	Yes	Yes
Duct Cover Extension	Yes	Yes

OPTIONAL ACCESSORIES		
Recirculating Kit	ZRC-01LL	ZRC-01LL
Duct Cover Extension	Z1C-02LL	Z1C-02LL
Make-Up Air Kit	MUA006A MUA008A	MUA006A MUA008A



*Blower sold separately

LUX

ISLAND
 DESIGNER:
 ZEPHYR CREATIVE TEAM

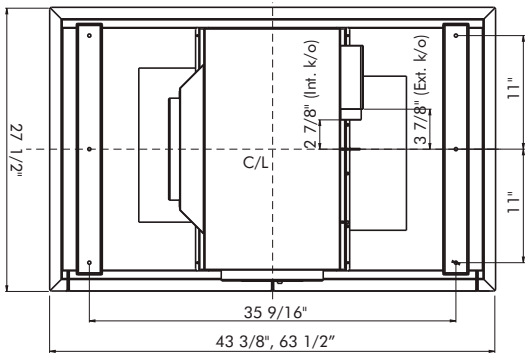
Enjoy unobstructed views of your kitchen with the modern, minimalist lines of the Lux. This sleek hood includes a wireless remote control, and it discreetly mounts into the ceiling above your range or cooktop for power and good looks

combined. Your kitchen will stay clean and smoke free with the Lux's Perimeter Aspiration and multiple blower options, and the tri-level LED light strip ensures a good-looking glow.

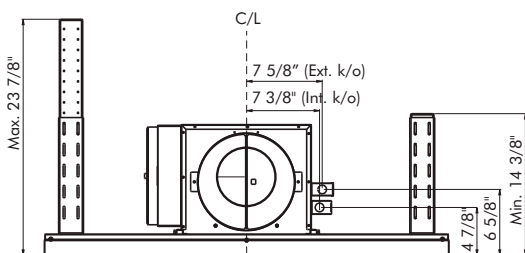
MODEL	ALU-E43ASX Stainless Steel ALU-E43AWX White	ALU-E63ASX Stainless Steel ALU-E63AWX White
SIZE	43"	63"
Internal Blower CFM*	290, CBI-290A	290, CBI-290A
Internal Blower CFM*	600, CBI-600A	600, CBI-600A
Internal Blower CFM*	1,100, PBI-1100A	1,100, PBI-1100A
In-line Blower CFM*	1,000, PBN-1000A	1,000, PBN-1000A
External Blower CFM*	1,000, CBE-1000	1,000, CBE-1000
FEATURES		
Sones	1.4 - 8	1.4 - 8
Controls	Capacitive Touch	Capacitive Touch
Speed Levels	3	3
Auto Delay-Off	Yes	Yes
CleanAir Function	Yes	Yes
Remote Control	Yes, Wireless	Yes, Wireless
Lighting	LED Strip	LED Strip
Tri-Level Lighting	Yes	Yes
Filters	Aluminum Mesh	Aluminum Mesh
Recirculating	Yes	Yes

OPTIONAL ACCESSORIES

Recirculating Kit	ZRC-00LX	ZRC-00LX
Make-Up Air Kit	MUA006A MUA008A MUA010A	MUA006A MUA008A MUA010A



Featured image on page 31.



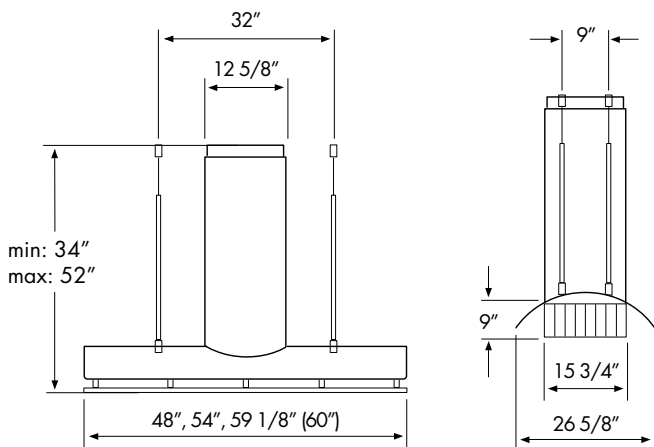
*Blower sold separately

TRAPEZE

With its directional Bloom™ HD LED lighting and a graceful, slow-curve canopy, the Trapeze is more than a focal point—it's a bold statement.

ISLAND
DESIGNER:
FU-TUNG CHENG

MODEL	CTP-E48BSX Stainless Steel	CTP-E54BSX Stainless Steel	CTP-E60BSX Stainless Steel
SIZE	48"	54"	60"
Internal Blower CFM*	290, CBI-290A	290, CBI-290A	290, CBI-290A
Internal Blower CFM*	600, CBI-600A	600, CBI-600A	600, CBI-600A
In-line Blower CFM*	1,000, PBN-1000A	1,000, PBN-1000A	1,000, PBN-1000A
External Blower CFM*	1,000, CBE-1000	1,000, CBE-1000	1,000, CBE-1000
FEATURES			
Sones	1.4 - 6	1.4 - 6	1.4 - 6
Controls	Electronic Touch	Electronic Touch	Electronic Touch
Speed Levels	3	3	3
Auto Delay-Off	Yes	Yes	Yes
CleanAir Function	Yes	Yes	Yes
Lighting	Bloom™ HD LED	Bloom™ HD LED	Bloom™ HD LED
Dual Level Lighting	Yes	Yes	Yes
Wireless Remote Control	Optional	Optional	Optional
Filters	Pro Baffle	Pro Baffle	Pro Baffle
Recirculating	No	No	No
Duct Cover Extension	Yes, Up to 12' Ceiling	Yes, Up to 12' Ceiling	Yes, Up to 12' Ceiling
OPTIONAL ACCESSORIES			
Duct Cover Extension	Z1C-00TP	Z1C-00TP	Z1C-00TP
Make-Up Air Kit	MUA006A MUA008A	MUA006A MUA008A	MUA006A MUA008A
Wireless Remote Control	14000005	14000005	14000005



*Blower sold separately



CORE COLLECTION

Much more than just functional products, each product in the Core Collection can serve as the ultimate foundation of a great kitchen. Featuring advanced technology such as our proprietary DCBL Suppression System[®], energy efficient Bloom[™] HD LED lighting, and ACT[™], this is where great ventilation begins.

ANZIO

WALL

Anzio, a low-profile, chimney-style range hood that will add style and value to any kitchen. Available in stainless steel and Titanium-coated black stainless steel finishes for improved durability and easy cleaning. Complete with a

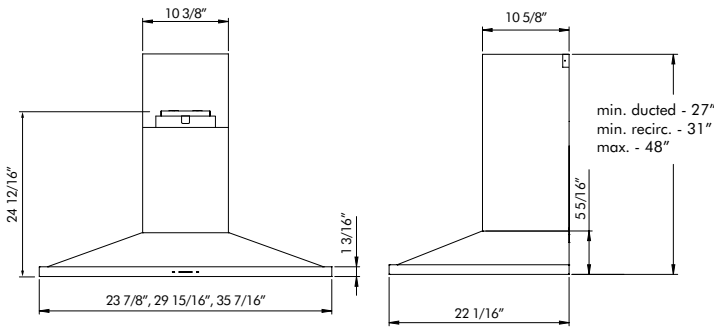
600-CFM blower, ICON Touch® controls, BriteStrip™ LED lighting and our exclusive Airflow Control Technology™ (ACT™). Now available in a 24" width.

ACT™

MODEL	ZAN-E24CS Stainless Steel	ZAN-E30CS Stainless Steel ZAN-E30CBS Black Stainless Steel	ZAN-M90CS Stainless Steel ZAN-M90CBS Black Stainless Steel
SIZE	24"	30"	36"
CFM	600	600	600
ACT™ CFM	390, 290	390, 290	390, 290
FEATURES			
Sones	1 - 6	1 - 6	1 - 6
Controls	ICON Touch®	ICON Touch®	ICON Touch®
Speed Levels	5	5	5
Auto Delay-Off	Yes	Yes	Yes
Lighting	BriteStrip™ LED	BriteStrip™ LED	BriteStrip™ LED
Dual-Level Lighting	Yes	Yes	Yes
Filters	Aluminum Mesh	Aluminum Mesh	Aluminum Mesh
Recirculating	Yes	Yes	Yes
Duct Cover Extension	Yes, Up to 12' Ceiling	Yes, Up to 12' Ceiling	Yes, Up to 12' Ceiling

OPTIONAL ACCESSORIES

Recirculating Kit	ZRC-01AN	ZRC-01AN	ZRC-01AN
Duct Cover Extension	Z1C-00ANBS (Black SS) Z1C-00AN (SS)	Z1C-00ANBS (Black SS) Z1C-00AN (SS)	Z1C-00ANBS (Black SS) Z1C-00AN (SS)
Hybrid Baffle Filter Kit	ZOF-B002	ZOF-B002	ZOF-B002
Make-Up Air Kit	MUA006A	MUA006A	MUA006A



LUCÉ

WALL

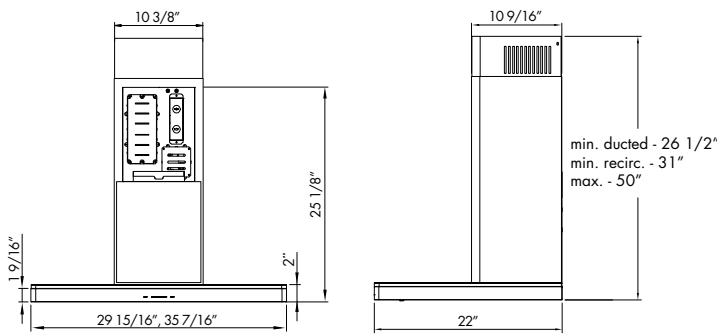
Boasting an elegant slice of sleek stainless steel married with the subtle glamor of ambient lighting in Cloud White, Deep Blue and Amber, the Lucé is the (gorgeous) future of range hoods, here today. Featuring ACT™ technology,

ICON Touch® controls and a versatile recirculating option.

ACT™

MODEL	ZLU-E30BS Stainless Steel w/ accent lighting	ZLU-M90BS Stainless Steel w/ accent lighting
SIZE	30"	36"
CFM	600	600
ACT™ CFM	390, 290	390, 290
FEATURES		
Sones	1 - 6	1 - 6
Controls	ICON Touch®	ICON Touch®
Speed Levels	5	5
Auto Delay-Off	Yes	Yes
Lighting	BriteStrip™ LED	BriteStrip™ LED
Dual-Level Lighting	Yes	Yes
LED Accent Light	Cloud White, Deep Blue & Amber	Cloud White, Deep Blue & Amber
Filters	Aluminum Mesh	Aluminum Mesh
Recirculating	Yes	Yes
Duct Cover Extension	Yes, Up to 12' Ceiling	Yes, Up to 12' Ceiling

OPTIONAL ACCESSORIES		
Recirculating Kit	ZRC-00LU	ZRC-00LU
Duct Cover Extension	Z1C-00LU	Z1C-00LU
Make-Up Air Kit	MUA006A	MUA006A



MILANO

WALL

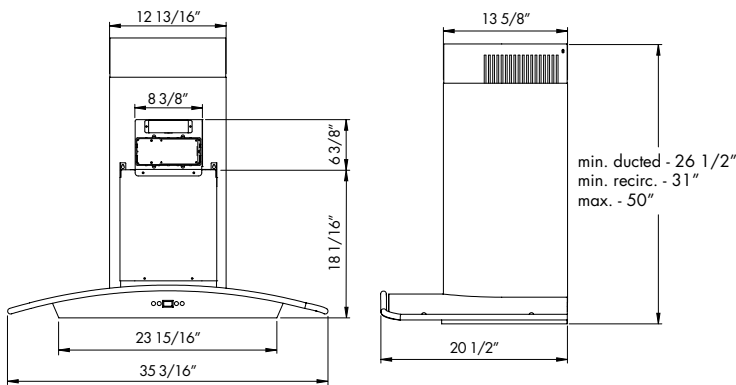
Milano has become an icon by virtue of its timeless design while taking detail and performance to higher ground. Outfitted with Bloom™ HD LED light bulbs and electronic LCD controls. Canopies are available in clear glass and stain-

less steel options. Equipped with the DCBL Suppression System®, the most advanced technology available today. Now available with an optional wireless remote control.



MODEL	ZMI-M90BG Clear Glass canopy ZMI-M90BS Stainless Steel canopy
SIZE	36"
CFM	715
ACT™ CFM	590, 390, 290
FEATURES	
Sones	0.8 - 5.8
Controls	Electronic LCD
Speed Levels	5 + Burst
Auto Delay-Off	Yes
CleanAir Function	Yes
Lighting	Bloom™ HD LED
Dual-Level Lighting	Yes
Filters	Aluminum Mesh
Wireless Remote Control	Optional
Recirculating	Yes
Duct Cover Extension	Yes, Up to 12' Ceiling

OPTIONAL ACCESSORIES	
Wireless Remote Control	RC-0001
Recirculating Kit	ZRC-00MI
Duct Cover Extension	Z1C-01MI
Make-Up Air Kit	MUA008A



MODENA

WALL

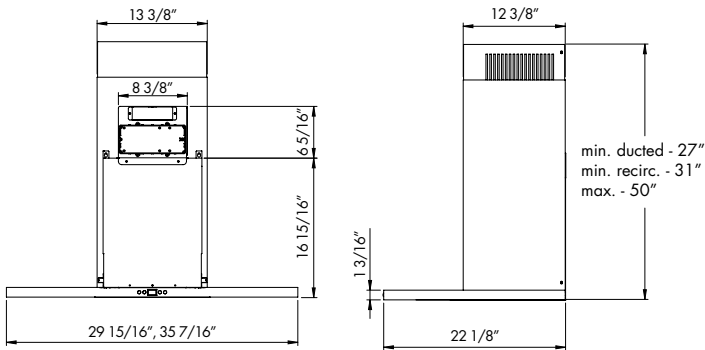
Resembling a floating island made of steel and glass, Modena houses the most advanced Bloom™ HD LED light bulbs and electronic LCD controls within its one-inch stainless steel canopy. Includes the DCBL Suppression

System®, the most advanced range hood technology available today. Now available with an optional wireless remote control.



MODEL	ZMO-E30AS Stainless Steel w/ Glass	ZMO-M90AS Stainless Steel w/ Glass
SIZE	30"	36"
CFM	715	715
ACT™ CFM	590, 390, 290	590, 390, 290
FEATURES		
Sones	0.8 - 5.8	0.8 - 5.8
Controls	Electronic LCD	Electronic LCD
Speed Levels	5 + Burst	5 + Burst
Auto Delay-Off	Yes	Yes
CleanAir Function	Yes	Yes
Lighting	Bloom™ HD LED	Bloom™ HD LED
Dual-Level Lighting	Yes	Yes
Filters	Aluminum Mesh	Aluminum Mesh
Wireless Remote Control	Optional	Optional
Recirculating	Yes	Yes
Duct Cover Extension	Yes, Up to 12' Ceiling	Yes, Up to 12' Ceiling

OPTIONAL ACCESSORIES		
Wireless Remote Control	RC-0001	RC-0001
Recirculating Kit	ZRC-00MO	ZRC-00MO
Duct Cover Extension	Z1C-00MO	Z1C-00MO
Make-Up air Kit	MUA-008A	MUA-008A



OMBRA

WALL

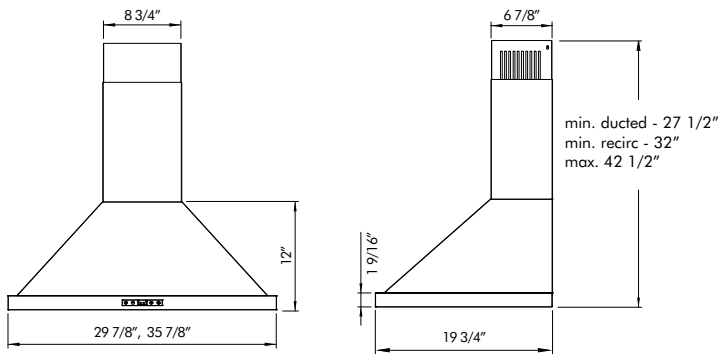
Ombra is the perfect combination of form and function with its sleek black stainless steel finish, capacitive touch controls, and optional hybrid baffle filters. Ombra features a powerful 600 CFM blower with our exclusive Airflow

Control Technology™ (ACT™) to meet local code requirements.

ACT™

MODEL	ZOM-E30ABS Black Stainless Steel	ZOM-E36ABS Black Stainless Steel
SIZE	30"	36"
CFM	600	600
ACT™ CFM	390, 290	390, 290
FEATURES		
Sones	1 - 6	1 - 6
Controls	Capacitive Touch	Capacitive Touch
Speed Levels	4	4
Auto Delay-Off	Yes	Yes
Lighting	Halogen	Halogen
Dual-Level Lighting	Yes	Yes
Filters	Aluminum Mesh	Aluminum Mesh
Recirculating	Yes	Yes
Duct Cover Extension	Yes, Up to 12' Ceiling	Yes, Up to 12' Ceiling

OPTIONAL ACCESSORIES		
Recirculating Kit	ZRC-01OM	ZRC-01OM
Duct Cover Extension	Z1C-01OMBS	Z1C-01OMBS
Bloom™ GU10 LED	ZOB0040	ZOB0040
Hybrid Baffle Filter Kit	ZOF-B002	ZOF-B002
Make-Up Air Kit	MUA006A	MUA006A



RAVENNA

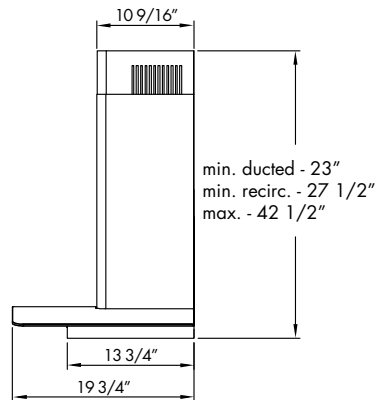
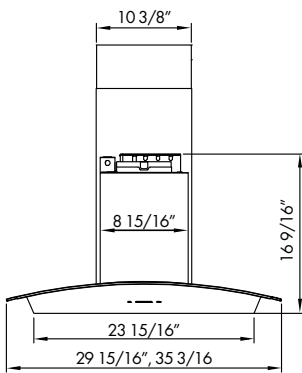
WALL

The delicate curve of a glass canopy arching over your cooktop will add power and style to your everyday cooking experience. The Ravenna combines 21st century know-how with timeless beauty—and the result is stunning.

Featuring clear and smoke-gray glass canopy options, as well as ACT™ Technology, ICON Touch® controls and a versatile recirculating option.

ACT™

MODEL	ZRV-E30BGC Clear Glass ZRV-E30BGG Smoke Gray Glass ZRV-E30BBSGG Black Stainless Steel, Smoke Gray Glass	ZRV-M90BGC Clear Glass ZRV-M90BGG Smoke Gray Glass ZRV-M90BBSGG Black Stainless Steel Smoke Gray Glass
SIZE	30"	36"
CFM	600	600
ACT™ CFM	390, 290	390, 290
FEATURES		
Sones	1 - 6	1 - 6
Controls	ICON Touch®	ICON Touch®
Speed Levels	5	5
Auto Delay-Off	Yes	Yes
Lighting	BriteStrip™ LED	BriteStrip™ LED
Dual-Level Lighting	Yes	Yes
Filters	Aluminum Mesh	Aluminum Mesh
Recirculating	Yes	Yes
Duct Cover Extension	Yes, Up to 12' Ceiling	Yes, Up to 12' Ceiling
OPTIONAL ACCESSORIES		
Recirculating Kit	ZRC-00RV	ZRC-00RV
Duct Cover Extension	Z1C-00RVBS (Black SS) Z1C-00RV (SS)	Z1C-00RVBS (Black SS) Z1C-00RV (SS)
Make-Up Air Kit	MUA006A	MUA006A



ROMA

WALL

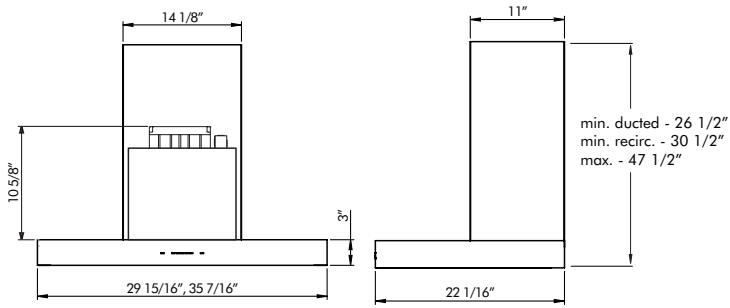
Roma's sleek presence is ideal for the design-savvy renovator, the high-rise developer who strives for quality or the builder who buys in mass but won't settle for mediocrity. Roma's contemporary design is complemented with

upgraded controls and a 600-CFM blower that operates at an ultra quiet single sone. The ICON Touch® controls and 5-speed levels offer added performance.

ACT™

MODEL	ZRO-E30DS Stainless Steel	ZRO-M90DS Stainless Steel
SIZE	30"	36"
CFM	600	600
ACT™ CFM	390, 290	390, 290
FEATURES		
Sones	1 - 6	1 - 6
Controls	ICON Touch®	ICON Touch®
Speed Levels	5	5
Auto Delay-Off	Yes	Yes
Lighting	BriteStrip™ LED	BriteStrip™ LED
Dual-Level Lighting	Yes	Yes
Filters	Aluminum Mesh	Aluminum Mesh
Recirculating	Yes	Yes
Duct Cover Extension	Yes, Up to 12' Ceiling	Yes, Up to 12' Ceiling

OPTIONAL ACCESSORIES		
Recirculating Kit	ZRC-01RO	ZRC-01RO
Duct Cover Extension	Z1C-00RO	Z1C-00RO
Make-Up Air Kit	MUA006A	MUA006A



SAVONA

WALL

Savona's semi-circular surfaces accentuate this range hood's European design with delicate reflections of light and shadows. Underneath the 11" tall body, Savona features a robust 685-CFM blower that operates at an ultra quiet 1 sone on

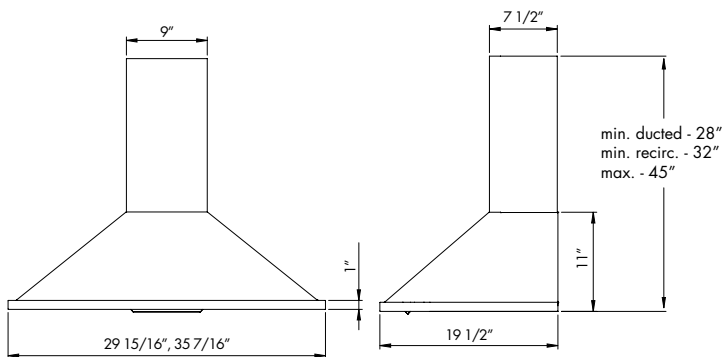
normal working speed. ICON Touch® controls with 5-speeds and our exclusive ACT™ technology make this hood a standout choice. Also available in powder-coated black and white.

ACT™

MODEL	ZSA-E30DB Black ZSA-E30DW White ZSA-E30DS Stainless Steel ZSA-E30DBS Black Stainless Steel	ZSA-M90DB Black ZSA-M90DW White ZSA-M90DS Stainless Steel ZSA-M90DBS Black Stainless Steel
Size	30"	36"
CFM	685	685
ACT™ CFM	390, 290	390, 290
Sones	1 - 6	1 - 6
Controls	ICON Touch®	ICON Touch®
Speed Levels	5	5
Auto Delay-Off	Yes	Yes
Lighting	BriteStrip™ LED	BriteStrip™ LED
Dual-Level Lighting	Yes	Yes
Filters	Aluminum Mesh	Aluminum Mesh
Recirculating	Yes	Yes
Duct Cover Extension	Yes, Up to 12' Ceiling	Yes, Up to 12' Ceiling

OPTIONAL ACCESSORIES

Recirculating Kit	ZRC-00SV	ZRC-00SV
Duct Cover Extension	Z1C-01SAB (Black) Z1C-01SABS (Black SS) Z1C-01SA (SS) Z1C-01SAW (White)	Z1C-01SAB (Black) Z1C-01SABS (Black SS) Z1C-01SA (SS) Z1C-01SAW (White)
Baffle Filter Kit	ZOF-B001	ZOF-B001
Make-Up Air Kit	MUA008A	MUA008A







SIENA

WALL

Siena is packed with power. With a 650-CFM blower and ACT™ technology this is a hood with a versatile range of features perfect for any kitchen. With dual-level halogens, a recirculating option and Zephyr's new ICON Touch®

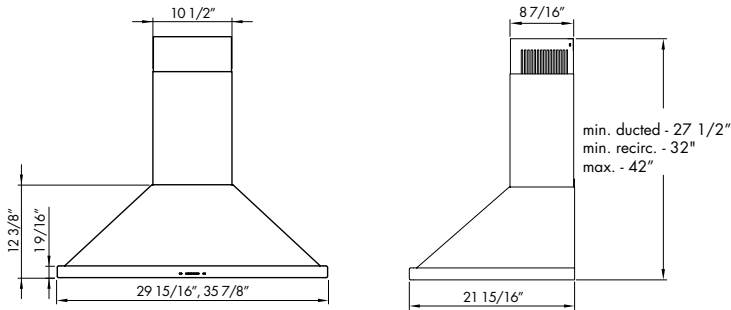
controls, clearing the air is as simple as the touch of a button.

ACT™

MODEL	ZSI-E30BS Stainless Steel	ZSI-E36BS Stainless Steel
SIZE	30"	36"
CFM	650	650
ACT™ CFM	390, 290	390, 290
FEATURES		
Sones	1 - 6	1 - 6
Controls	ICON Touch®	ICON Touch®
Speed Levels	5	5
Auto Delay-Off	Yes	Yes
Lighting	BriteStrip™ LED	BriteStrip™ LED
Dual-Level Lighting	Yes	Yes
Filters	Hybrid Baffle	Hybrid Baffle
Recirculating	Yes	Yes
Duct Cover Extension	Yes, Up to 12' Ceiling	Yes, Up to 12' Ceiling

OPTIONAL ACCESSORIES

Recirculating Kit	ZRC-00SI	ZRC-00SI
Duct Cover Extension	Z1C-00SI	Z1C-00SI
Make-Up Air Kit	MUA008A	MUA008A



SIENA ES

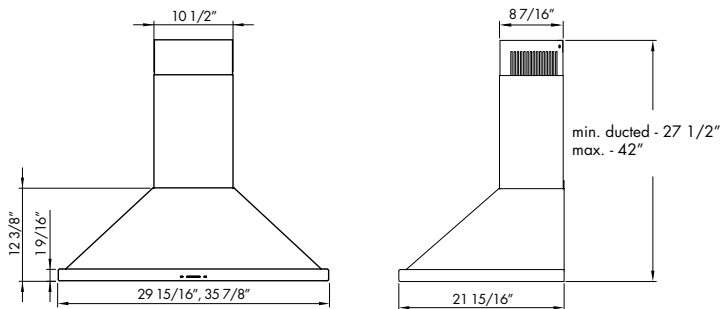
WALL

The Siena ES, certified ENERGY STAR® hood is packed with power. With a 400-CFM blower and ACT™ technology this hood has a versatile range of features perfect for any kitchen. With energy-efficient fluorescent lights, an exten-

sion duct cover option and Zephyr's new ICON Touch® controls, clearing the air is as simple as the touch of a button.



MODEL	ZSI-E30AS-ES Stainless Steel	ZSI-E36AS-ES Stainless Steel
SIZE	30"	36"
CFM	400	400
ACT™ CFM	290	290
FEATURES		
Sones	1.4 - 6	1.4 - 6
Controls	ICON Touch®	ICON Touch®
Speed Levels	3	3
Auto Delay-Off	Yes	Yes
Lighting	Fluorescent	Fluorescent
Dual-Level Lighting	No	No
Filters	Hybrid Baffle	Hybrid Baffle
Recirculating	No	No
Duct Cover Extension	Yes, Up to 12' Ceiling	Yes, Up to 12' Ceiling
OPTIONAL ACCESSORIES		
Duct Cover Extension	Z1C-00SI	Z1C-00SI



SIENA PRO

WALL

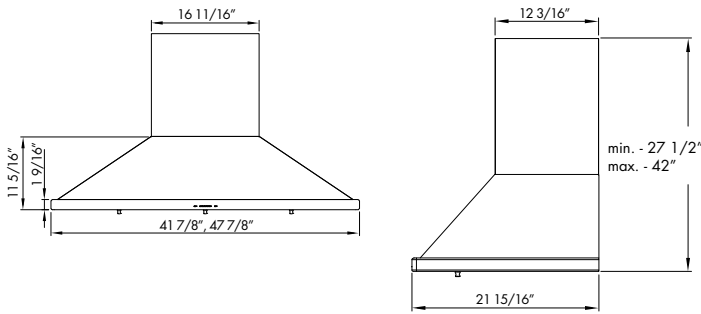
With its classic, professional-style design Siena Pro manages to encompass a wealth of features perfect for the culinary pro or any aspiring home chef. Equipped with a 1,200-CFM blower and Zephyr's ICON Touch® controls, clean, ef-

ficient power is just a touch away.

ACT™

MODEL	ZSP-E42BS Stainless Steel	ZSP-E48BS Stainless Steel
SIZE	42"	48"
CFM	1,200	1,200
ACT™ CFM	590, 390	590, 390
FEATURES		
Sones	3.5 - 9	3.5 - 9
Controls	ICON Touch®	ICON Touch®
Speed Levels	5	5
Auto Delay-Off	Yes	Yes
Lighting	BriteStrip™ LED	BriteStrip™ LED
Dual-Level Lighting	Yes	Yes
Filters	Hybrid Baffle	Hybrid Baffle
Recirculating	No	No
Duct Cover Extension	Yes, Up to 12' Ceiling	Yes, Up to 12' Ceiling

OPTIONAL ACCESSORIES		
Duct Cover Extension	Z1C-00SP	Z1C-00SP
Make-Up Air Kit	MUA010A	MUA010A



Featured image on page 59.

VENEZIA

WALL

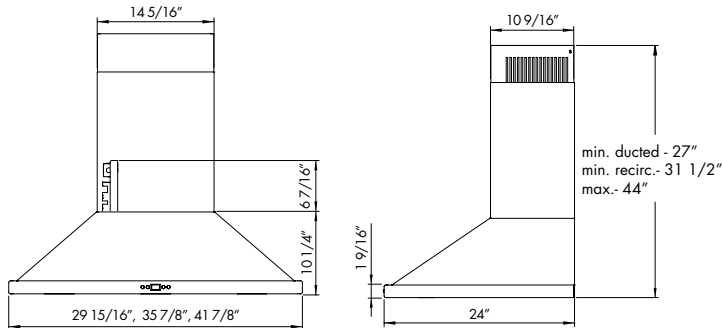
A timeless and classic design, Venezia's formidable pyramid design now includes baffle filters and Zephyr's DCBL Suppression System® elevating this ageless range hood to unparalleled levels of performance. With directional

Bloom™ HD LED light bulbs, Venezia's 24-inch deep capture area is fully illuminated with warm halogen-caliber light, while remaining cool to the touch. Now available with an optional wireless remote control.



MODEL	ZVE-E30CS Stainless Steel	ZVE-E36CS Stainless Steel	ZVE-E42CS Stainless Steel
SIZE	30"	36"	42"
CFM	715	715	715
ACT™ CFM	590, 390, 290	590, 390, 290	590, 390, 290
FEATURES			
Sones	0.8 - 5.8	0.8 - 5.8	0.8 - 5.8
Controls	Electronic LCD	Electronic LCD	Electronic LCD
Speed Levels	5 + Burst	5 + Burst	5 + Burst
Auto Delay-Off	Yes	Yes	Yes
CleanAir Function	Yes	Yes	Yes
Directional Lighting	Bloom™ HD LED	Bloom™ HD LED	Bloom™ HD LED
Dual-Level Lighting	Yes	Yes	Yes
Filters	Baffle	Baffle	Baffle
Wireless Remote Control	Optional	Optional	Optional
Recirculating	Yes	Yes	Yes
Duct Cover Extension	Yes, Up to 12' Ceiling	Yes, Up to 12' Ceiling	Yes, Up to 12' Ceiling

OPTIONAL ACCESSORIES			
Wireless Remote Control	RC-0001	RC-0001	RC-0001
Recirculating Kit	ZRC-02VE	ZRC-02VE	ZRC-02VE
Duct Cover Extension	Z1C-01VE	Z1C-01VE	Z1C-01VE
Make-Up Air Kit	MUA008A	MUA008A	MUA008A



VERONA

WALL

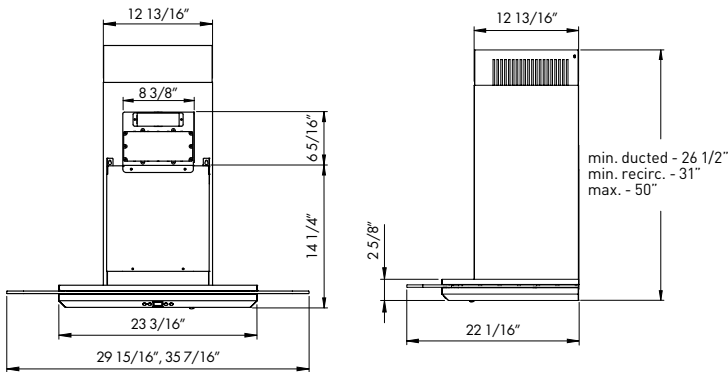
The Verona's straight glass canopy also serves up ambient LED lighting in Cloud White, Deep Blue or Amber color options to best match your décor; or choose the Demo mode that displays all three settings in 10-second intervals.

Includes the DCBL Suppression System®, the most advanced system available today. Now available with an optional wireless remote control.



MODEL	ZVO-E30AG Stainless Steel w/ Glass canopy	ZVO-M90AG Stainless Steel w/ Glass canopy
SIZE	30"	36"
CFM	715	715
ACT™ CFM	590, 390, 290	590, 390, 290
FEATURES		
Sones	0.8 - 5.8	0.8 - 5.8
Controls	Electronic LCD	Electronic LCD
Speed Levels	5 + Burst	5 + Burst
Auto Delay-Off	Yes	Yes
CleanAir Function	Yes	Yes
Lighting	Bloom™ HD LED	Bloom™ HD LED
Dual-Level Lighting	Yes	Yes
LED Illuminated Glass	Cloud White, Deep Blue & Amber	Cloud White, Deep Blue & Amber
Filters	Aluminum Mesh	Aluminum Mesh
Wireless Remote Control	Optional	Optional
Recirculating	Yes	Yes
Duct Cover Extension	Yes, Up to 12' Ceiling	Yes, Up to 12' Ceiling

OPTIONAL ACCESSORIES		
Wireless Remote Control	RC-0001	RC-0001
Recirculating Kit	ZRC-00VO	ZRC-00VO
Duct Cover Extension	Z1C-00VO	Z1C-00VO
Make-Up Air Kit	MUA008A	MUA008A





ANZIO

ISLAND

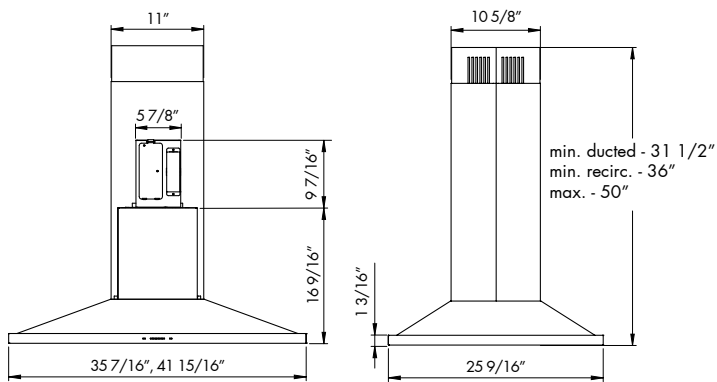
With its low-profile, bell-shaped design, Anzio adds style to any kitchen project. Its 600-CFM motor, ICON Touch® controls, and new BriteStrip™ LED lighting move it ahead of the

competition. Add the Quick-Lock installation system with magnetic duct covers and Anzio stands alone in terms of performance, design and value.

ACT™

MODEL	ZAZ-M90CS Stainless Steel	ZAZ-E42CS Stainless Steel
SIZE	36"	42"
CFM	600	600
ACT™ CFM	390, 290	390, 290
FEATURES		
Sones	1 - 6	1 - 6
Controls	ICON Touch®	ICON Touch®
Speed Levels	5	5
Auto Delay-Off	Yes	Yes
Lighting	BriteStrip™ LED	BriteStrip™ LED
Dual-Level Lighting	Yes	Yes
Filters	Aluminum Mesh	Aluminum Mesh
Recirculating	Yes	Yes
Duct Cover Extension	Yes, Up to 12' Ceiling	Yes, Up to 12' Ceiling
Quick-Lock Installation	Yes	Yes

OPTIONAL ACCESSORIES		
Recirculating Kit	ZRC-02AZ	ZRC-02AZ
Duct Cover Extension	Z1C-00AZ	Z1C-00AZ
Hybrid Baffle Filter Kit	ZOF-B002	ZOF-B002
Make-Up Air Kit	MUA006A	MUA006A



LUCÉ

ISLAND

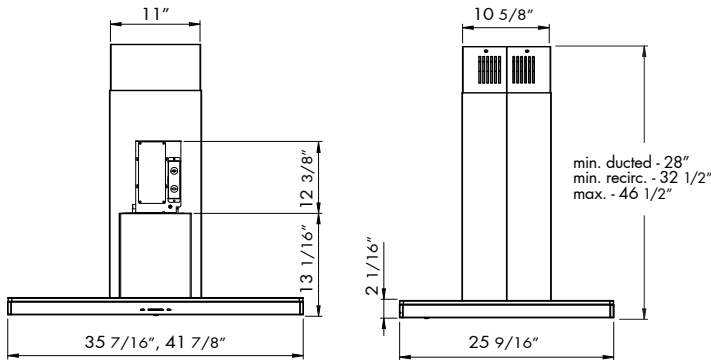
Boasting an elegant slice of sleek stainless steel married with the subtle glamor of ambient lighting in Cloud White, Deep Blue and Amber, the Lucé is the (gorgeous) future of range hoods, here today. Featuring ACT™ technology,

ICON Touch® controls and a versatile recirculating option. Includes an enhanced Quick-Lock installation system with magnetic duct covers.

ACT™

MODEL	ZLC-M90BS Stainless Steel w/ accent lighting	ZLC-E42BS Stainless Steel w/ accent lighting
SIZE	36"	42"
CFM	600	600
ACT™ CFM	390, 290	390, 290
FEATURES		
Sones	1 - 6	1 - 6
Controls	ICON Touch®	ICON Touch®
Speed Levels	5	5
Auto Delay-Off	Yes	Yes
Lighting	BriteStrip™ LED	BriteStrip™ LED
Dual-Level Lighting	Yes	Yes
LED Accent Light	Cloud White, Deep Blue & Amber	Cloud White, Deep Blue & Amber
Filters	Aluminum Mesh	Aluminum Mesh
Recirculating	Yes	Yes
Duct Cover Extension	Yes, Up to 12' Ceiling	Yes, Up to 12' Ceiling
Quick-Lock Installation	Yes	Yes

OPTIONAL ACCESSORIES		
Recirculating Kit	ZRC-00LC	ZRC-00LC
Duct Cover Extension	Z1C-00LC	Z1C-00LC
Make-Up Air Kit	MUA006A	MUA006A



MILANO

ISLAND

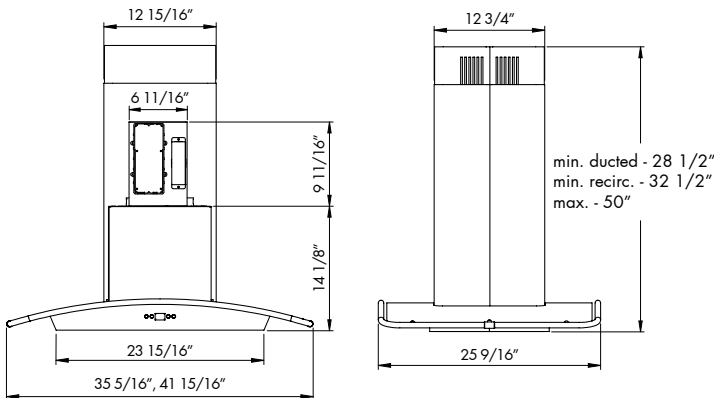
A standard of the Europa Collection, Milano is a bold technological breakthrough: this island includes our DCBL Suppression System® making it the quietest, most powerful energy efficient range hood available today. Canopies are avail-

able in clear glass and stainless steel options. Now available with an optional remote control.



MODEL	ZML-M90BG Clear glass canopy ZML-M90BS Stainless Steel canopy	ZML-E42BG Clear glass canopy ZML-E42BS Stainless Steel canopy
SIZE	36"	42"
CFM	715	715
ACT™ CFM	590, 390, 290	590, 390, 290
FEATURES		
Sones	0.8 - 5.8	0.8 - 5.8
Controls	Electronic LCD	Electronic LCD
Speed Levels	5 + Burst	5 + Burst
Auto Delay-Off	Yes	Yes
CleanAir Function	Yes	Yes
Lighting	Bloom™ HD LED	Bloom™ HD LED
Dual-Level Lighting	Yes	Yes
Filters	Aluminum Mesh	Aluminum Mesh
Wireless Remote Control	Optional	Optional
Recirculating	Yes	Yes
Duct Cover Extension	Yes, Up to 12' Ceiling	Yes, Up to 12' Ceiling
Quick-Lock Installation	Yes	Yes

OPTIONAL ACCESSORIES		
Wireless Remote Control	RC-0001	RC-0001
Recirculating Kit	ZRC-00ML	ZRC-00ML
Duct Cover Extension	Z1C-03ML	Z1C-03ML
Make-Up Air Kit	MUA008A	MUA008A



MODENA

ISLAND

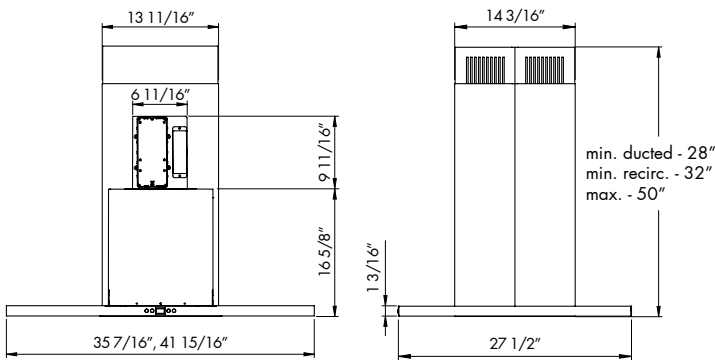
Modena's low-profile, stainless steel and glass canopy resembles a floating island over your cooktop or range. An ideal blend of style and performance, Modena is sure to add the power your kitchen requires without the cluttered

sight lines typical with more cumbersome range hood models. Includes the DCBL Suppression System®, the most advanced system available today. Now available with an optional wireless remote control.



MODEL	ZMD-M90AS Stainless Steel w/ Glass	ZMD-E42AS Stainless Steel w/ Glass
SIZE	36"	42"
CFM	715	715
ACT™ CFM	590, 390, 290	590, 390, 290
FEATURES		
Sones	0.8 - 5.8	0.8 - 5.8
Controls	Electronic LCD	Electronic LCD
Speed Levels	5 + Burst	5 + Burst
Auto Delay-Off	Yes	Yes
CleanAir Function	Yes	Yes
Lighting	Bloom™ HD LED	Bloom™ HD LED
Dual-Level Lighting	Yes	Yes
Filters	Aluminum Mesh	Aluminum Mesh
Wireless Remote Control	Optional	Optional
Recirculating	Yes	Yes
Duct Cover Extension	Yes, Up to 12' Ceiling	Yes, Up to 12' Ceiling
Quick-Lock Installation	Yes	Yes

OPTIONAL ACCESSORIES		
Wireless Remote Control	RC-0001	RC-0001
Recirculating Kit	ZRC-00MD	ZRC-00MD
Duct Cover Extension	Z1C-00MD	Z1C-00MD
Make-Up Air Kit	MUA008A	MUA008A



NAPOLI

ISLAND

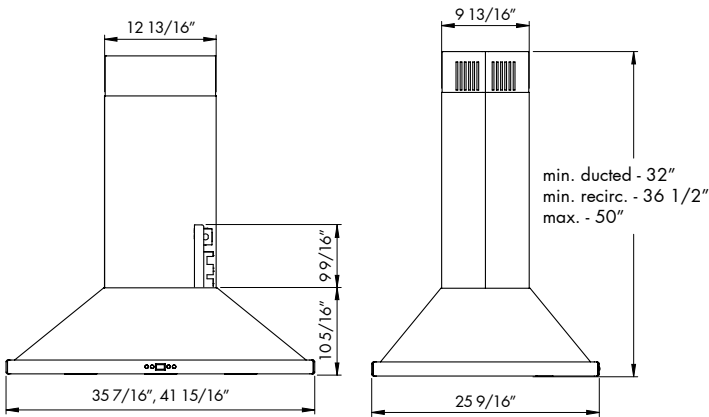
Napoli is a classic island range hood design. Strong and sophisticated with upwardly-angled walls, Napoli makes an impression in any kitchen, and is as easy to install as it is to enjoy. Includes the DCBL Suppression System®, the

most advanced system available today. Now available with an optional wireless remote control.



MODEL	ZNA-M90CS Stainless Steel	ZNA-E42CS Stainless Steel
SIZE	36"	42"
CFM	715	715
ACT™ CFM	590, 390, 290	590, 390, 290
FEATURES		
Sones	0.8 - 5.8	0.8 - 5.8
Controls	Electronic LCD	Electronic LCD
Speed Levels	5 + Burst	5 + Burst
Auto Delay-Off	Yes	Yes
CleanAir Function	Yes	Yes
Lighting	Bloom™ HD LED	Bloom™ HD LED
Dual-Level Lighting	Yes	Yes
Filters	Baffle	Baffle
Wireless Remote Control	Optional	Optional
Recirculating	Yes	Yes
Duct Cover Extension	Yes, Up to 12' Ceiling	Yes, Up to 12' Ceiling
Quick-Lock Installation	Yes	Yes

OPTIONAL ACCESSORIES		
Wireless Remote Control	RC-0001	RC-0001
Recirculating Kit	ZRC-02NA	ZRC-02NA
Duct Cover Extension	Z1C-02NA	Z1C-02NA
Make-Up Air Kit	MUA008A	MUA008A



RAVENNA

ISLAND

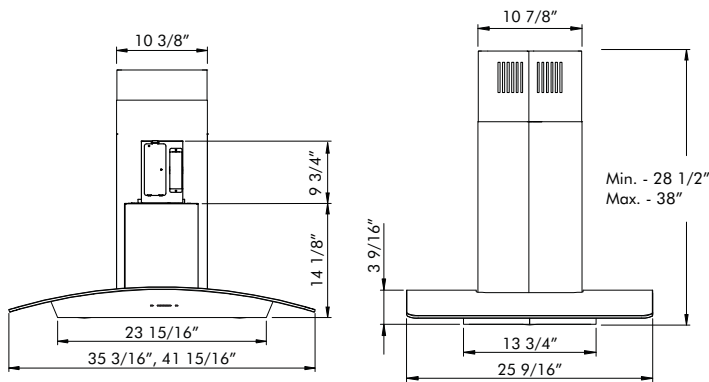
The delicate curve of a smoke-gray glass canopy arching over your island cooktop will add an elegance to your everyday cooking experience. The Ravenna features our sleek black stainless steel finish which is Titanium coated for extra

durability and an anti-smudge coating for easy cleaning. Complete with our exclusive ACT™ technology, ICON Touch® Controls, BriteStrip™ LED lighting and a powerful, yet quiet, 600-CFM blower.

ACT™

MODEL	ZRE-M90ABSGG Black Stainless Steel, Smoke Gray Glass	ZRE-E42ABSGG Black Stainless Steel, Smoke Gray Glass
SIZE	36"	42"
CFM	600	600
ACT™ CFM	390, 290	390, 290
FEATURES		
Sones	1 - 6	1 - 6
Controls	ICON Touch®	ICON Touch®
Speed Levels	5	5
Auto Delay-Off	Yes	Yes
Lighting	BriteStrip™ LED	BriteStrip™ LED
Dual-Level Lighting	Yes	Yes
Filters	Aluminum Mesh	Aluminum Mesh
Recirculating	Yes	Yes
Duct Cover Extension	Yes, Up to 12' Ceiling	Yes, Up to 12' Ceiling
Quick-Lock Installation	Yes	Yes

OPTIONAL ACCESSORIES		
Recirculating Kit	ZRC-00RE	ZRC-00RE
Duct Cover Extension	Z1C-00REBS	Z1C-00REBS
Make-Up Air Kit	MUA006A	MUA006A



ROMA

ISLAND

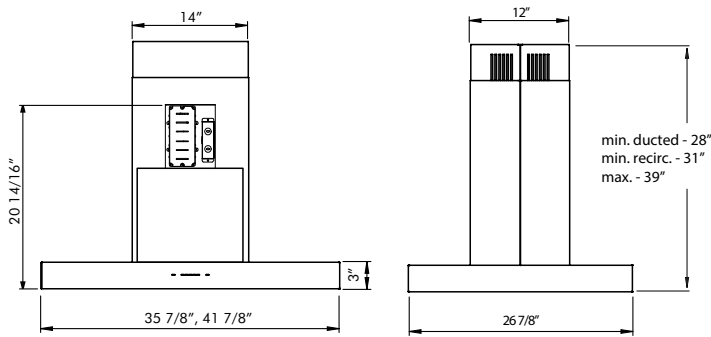
A sharp, angular island design as distinctively bold as its namesake city, Roma's sleek shape is ideal for the savvy renovator, the discerning high-rise developer or the builder who buys in mass but won't skimp on quality. Designed with

the innovative Quick-Lock installation system, ICON Touch® controls and dual-level lighting, Roma island is ready to start cooking in no time.

ACT™

MODEL	ZRM-E36DS Stainless Steel	ZRM-E42DS Stainless Steel
SIZE	36"	42"
CFM	600	600
ACT™ CFM	390, 290	390, 290
FEATURES		
Sones	1 - 6	1 - 6
Controls	ICON Touch®	ICON Touch®
Speed Levels	5	5
Auto Delay-Off	Yes	Yes
Lighting	BriteStrip™ LED	BriteStrip™ LED
Dual-Level Lighting	Yes	Yes
Filters	Aluminum Mesh	Aluminum Mesh
Recirculating	Yes	Yes
Duct Cover Extension	Yes, Up to 12' Ceiling	Yes, Up to 12' Ceiling
Quick-Lock Installation	Yes	Yes

OPTIONAL ACCESSORIES		
Recirculating Kit	ZRC-02RM	ZRC-01RM
Duct Cover Extension	Z1C-01RM	Z1C-01RM
Make-Up Air Kit	MUA006A	MUA006A



Featured image on page 48.

SIENA PRO

ISLAND

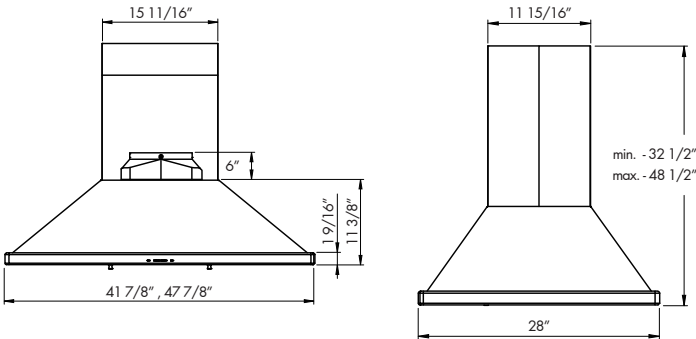
With its classic, professional-style design Siena Pro island manages to encompass a wealth of features perfect for the culinary pro or an aspiring home chef. Equipped with a 1,200-CFM blower, Zephyr's ICON Touch® controls,

and the unique Quick-Lock installation system, Siena Pro is as easy to install as it is to enjoy.

ACT™

MODEL	ZSL-E42BS Stainless Steel	ZSL-E48BS Stainless Steel
SIZE	42"	48"
CFM	1,200	1,200
ACT™ CFM	590, 390	590, 390
FEATURES		
Sones	3.5 - 9	3.5 - 9
Controls	ICON Touch®	ICON Touch®
Speed Levels	5	5
Auto Delay-Off	Yes	Yes
Lighting	BriteStrip™ LED	BriteStrip™ LED
Dual-Level Lighting	Yes	Yes
Filters	Hybrid Baffle	Hybrid Baffle
Recirculating	No	No
Duct Cover Extension	Yes, Up to 12' Ceiling	Yes, Up to 12' Ceiling
Quick-Lock Installation	Yes	Yes

OPTIONAL ACCESSORIES		
Duct Cover Extension	Z1C-01SL	Z1C-01SL
Make-Up Air Kit	MUA010A	MUA010A



VERONA

ISLAND

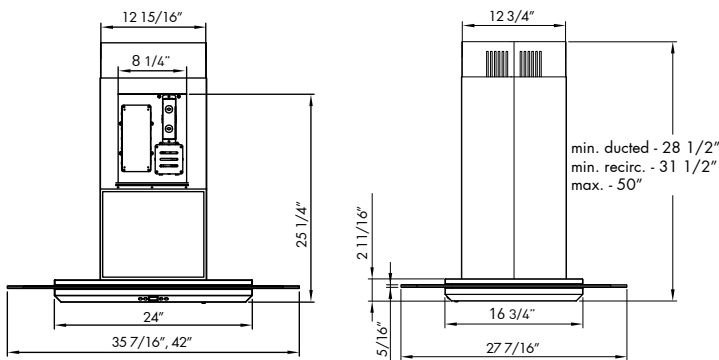
The Verona's straight glass canopy also serves up ambient LED lighting in Cloud White, Deep Blue or Amber color options to best match your décor; or choose the Demo mode that displays all three settings in 10-second intervals.

Includes the DCBL Suppression System®, the most advanced system available today. Now available with an optional wireless remote control.



MODEL	ZVN-M90AG Stainless Steel w/ Glass canopy	ZVN-E42AG Stainless Steel w/ Glass canopy
SIZE	36"	42"
CFM	715	715
ACT™ CFM	590, 390, 290	590, 390, 290
FEATURES		
Sones	0.8 - 5.8	0.8 - 5.8
Controls	Electronic LCD	Electronic LCD
Speed Levels	5 + Burst	5 + Burst
Auto Delay-Off	Yes	Yes
CleanAir Function	Yes	Yes
Lighting	Bloom™ HD LED	Bloom™ HD LED
Dual-Level Lighting	Yes	Yes
LED Illuminated Glass	Cloud White, Deep Blue & Amber	Cloud White, Deep Blue & Amber
Filters	Aluminum Mesh	Aluminum Mesh
Wireless Remote Control	Optional	Optional
Recirculating	Yes	Yes
Duct Cover Extension	Yes, Up to 12' Ceiling	Yes, Up to 12' Ceiling
Quick-Lock Installation	Yes	Yes

OPTIONAL ACCESSORIES		
Wireless Remote Control	RC-0001	RC-0001
Recirculating Kit	ZRC-00VN	ZRC-00VN
Duct Cover Extension	Z1C-00VN	Z1C-00VN
Make-Up Air Kit	MUA008A	MUA008A





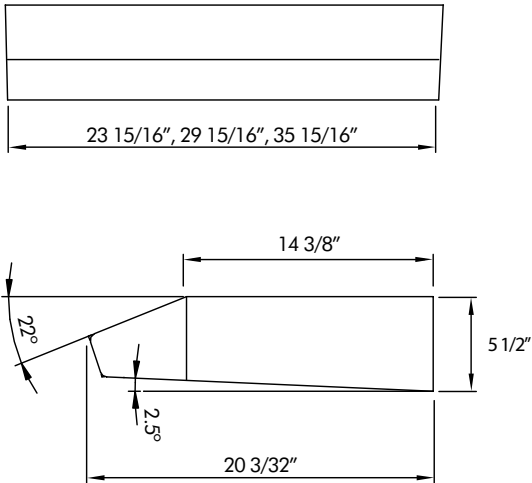
BREEZE I

UNDER-CABINET

Its sophisticated features and performance set the industry value standard. Its three-speed, 250-cfm blowers quietly clear the air while convenient dishwasher-safe aluminum filters efficiently remove airborne residues. Sleek, integrated con-

trols simplify cleanup, and the dual-level halogen light bulbs let you set a low-key mood when the time is right. Now available with Bloom™ GU10 LED upgrade option.

MODEL	AK1124W White AK1124S Stainless Steel	AK1100B Black AK1100W White AK1100S Stainless Steel	AK1136B Black AK1136W White AK1136S Stainless Steel
SIZE	24"	30"	36"
CFM	250	250	250
FEATURES			
Sones	1.8 - 3.5	1.8 - 3.5	1.8 - 3.5
Controls	Mechanical Slide	Mechanical Slide	Mechanical Slide
Speed Levels	3	3	3
Auto Delay-Off	No	No	No
Lighting	Halogen	Halogen	Halogen
Dual-Level Lighting	Yes	Yes	Yes
Filters	Aluminum Mesh	Aluminum Mesh	Aluminum Mesh
Recirculating	Yes	Yes	Yes
Vertical and Horizontal Ducting	Yes	Yes	Yes
OPTIONAL ACCESSORIES			
Recirculating Kit	OAK11-21001	OAK11-21001	OAK11-21001
Bloom™ GU10 LED	ZOB0040	ZOB0040	ZOB0040



BREEZE II

UNDER-CABINET

Updated with dual-level BriteStrip™ LED lighting the Breeze II's modern, clean lines provide a perfect complement to any interior. Equipped with 3-speed electronic controls, 400-CFM blower, convenient dishwasher-safe

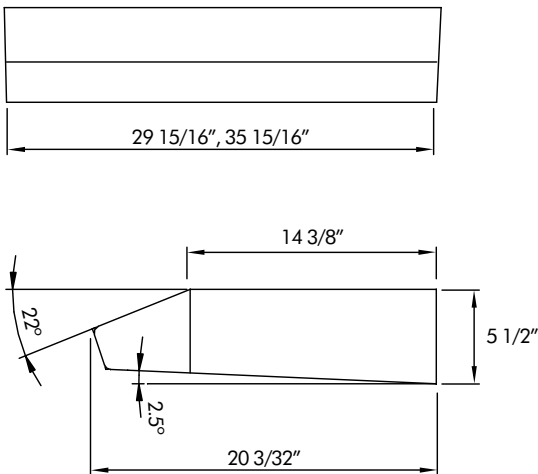
aluminum filters and an auto delay-off feature that clears the air and powers down after 5 minutes. Available in black, white, stainless steel and black stainless finishes.

MODEL	AK1200BB	AK1236BB
	Black	Black
	AK1200BW	AK1236BW
	White	White
	AK1200BS	AK1236BS
	Stainless Steel	Stainless Steel
AK1200BBS	AK1236BBS	
Black Stainless Steel	Black Stainless Steel	

SIZE	30"	36"
CFM	400	400

FEATURES		
Sones	1.9 - 4.5	1.9 - 4.5
Controls	Electronic Touch	Electronic Touch
Speed Levels	3	3
Auto Delay-Off	Yes	Yes
Lighting	BriteStrip™ LED	BriteStrip™ LED
Dual-Level Lighting	Yes	Yes
Filters	Aluminum Mesh	Aluminum Mesh
Recirculating	Yes	Yes
Vertical and Horizontal Ducting	Yes	Yes

OPTIONAL ACCESSORIES		
Recirculating Kit	OAK11-21001	OAK11-21001



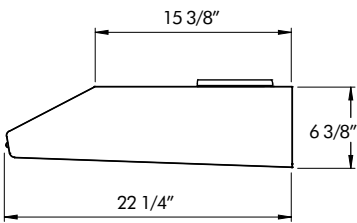
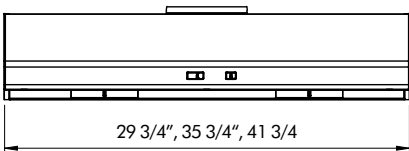
CYCLONE

UNDER-CABINET

Modern, clean lines provide a perfect complement to any interior, while centrifugal blowers liquefy cooking residue without complex filters to make cleanup a snap. Available in stainless steel, white, black and black stainless steel, and

Cyclone's three styles, sizes and ducting options make it one of our most versatile models. Includes filter-less self cleaning system.

MODEL	AK6500BB Black AK6500BW White AK6500BS Stainless Steel AK6500BBS Black Stainless Steel	AK6536BB Black AK6536BW White AK6536BS Stainless Steel AK6536BBS Black Stainless Steel	AK6542BS Stainless Steel
SIZE	30"	36"	42"
CFM	600	600	600
FEATURES			
Sones	1.5 - 5	1.5 - 5	1.5 - 5
Controls	Mechanical Slide	Mechanical Slide	Mechanical Slide
Speed Levels	3	3	3
Auto Delay-Off	No	No	No
Lighting	Halogen	Halogen	Halogen
Dual-Level Lighting	Yes	Yes	Yes
Removable Safety Grilles	2	2	2
Recirculating	No	No	No
Self Cleaning	Yes	Yes	Yes
OPTIONAL ACCESSORIES			
Bloom™ GU10 LED	ZOB0040	ZOB0040	ZOB0040
Make-Up Air Kit	MUA006A	MUA006A	MUA006A
6" Round Damper	AK00066	AK00066	AK00066



GENOVA

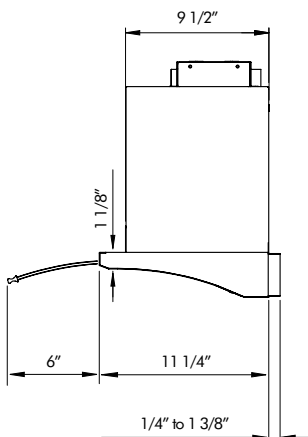
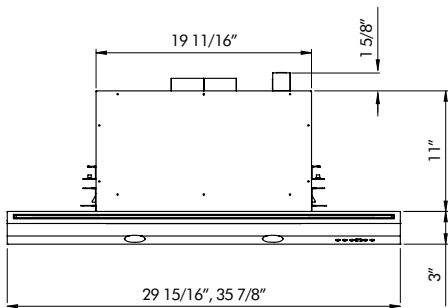
UNDER-CABINET

Tucked neatly beneath your bridge cabinet, Genova works quietly out of sight. Powered by the strength of its 500-CFM or 290-CFM blower, Genova's crescent-like body delivers stunning design and quality performance.

Packed with upgraded features like 3-speed electronic controls, Genova is perfect for kitchens that require a more minimal look.

MODEL	ZGE-E30AS Stainless Steel w/ Smoke-Gray Glass ZGE-E30AS290 Stainless Steel w/ Smoke-Gray Glass, 290 CFM	ZGE-E36AS Stainless Steel w/ Smoke-Gray Glass ZGE-E36AS290 Stainless Steel w/ Smoke-Gray Glass, 290 CFM
SIZE	30"	36"
CFM	500 or 290	500 or 290
FEATURES		
Sones	1.7 - 5.3 or 1.4 - 2.8	1.7 - 5.3 or 1.4 - 2.8
Controls	Electronic Touch	Electronic Touch
Speed Levels	3	3
Auto Delay-Off	Yes	Yes
Lighting	Halogen	Halogen
Dual-Level Lighting	Yes	Yes
Filter	Decorative Mesh	Decorative Mesh
Wireless Remote Control	Optional	Optional
Recirculating	Yes	Yes

OPTIONAL ACCESSORIES		
Recirculating Kit	ZRC-00GE	ZRC-00GE
Bloom™ GU10 LED	ZOB0040	ZOB0040
Wireless Remote Control	14000005	14000005
Make-Up Air Kit	MUA006A	MUA006A



GUST

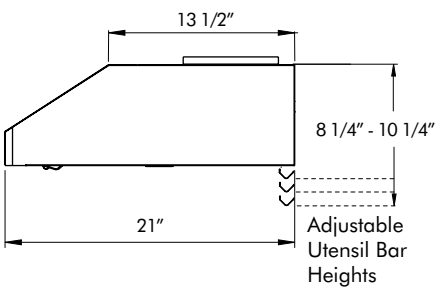
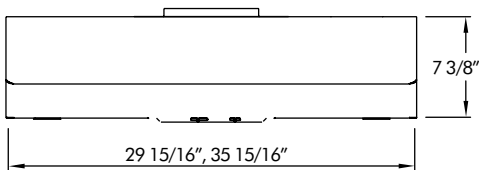
UNDER-CABINET

A discreet, European-style, professional-looking range hood, Gust adds fashion and function to under-cabinet installations. With its mechanical controls neatly tucked away below the canopy, Gust provides the subtlety its owners require.

MODEL	AK7100AS Stainless Steel AK7100AS-BF Stainless Steel, w/ Baffle filters AK7100AS290 Stainless Steel, 290 CFM	AK7136AS Stainless Steel AK7136AS-BF Stainless Steel, w/ Baffle filters AK7136AS290 Stainless Steel, 290 CFM
SIZE	30"	36"
CFM	400 or 290	400 or 290
FEATURES		
Sones	2 - 5 or 1.1 - 3.2	2 - 5 or 1.1 - 3.2
Controls	Mechanical Slide	Mechanical Slide
Speed Levels	3	3
Auto Delay-Off	No	No
Lighting	Halogen	Halogen
Dual-Level Lighting	Yes	Yes
Filters	Aluminum Mesh or Baffle	Aluminum Mesh or Baffle
Recirculating	Yes	Yes
Adjustable Utensil Bar	Yes	Yes

OPTIONAL ACCESSORIES

Recirculating Kit	ZRC-0200
Bloom™ GU10 LED	ZOB0040
Make-Up Air Kit	MUA006A
7" Round Damper	AK00067



HURRICANE

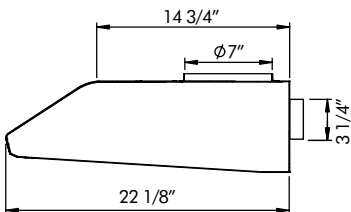
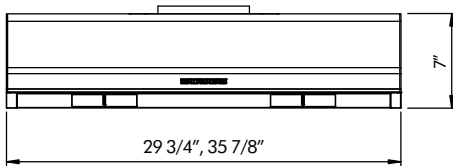
UNDER-CABINET

High tech meets high style with a minimum of fuss under the cabinet. Touch-controls take charge of the 3-speed 695-CFM blower; dual-level halogen lights and a timed delay-off function-all designed to make your life easier.

Available in stainless steel, white and black. Includes filter-less self cleaning system. Now with ACT™ technology.

ACT™

MODEL	AK2500BB Black AK2500BW White AK2500BS Stainless Steel	AK2536BB Black AK2536BW White AK2536BS Stainless Steel
SIZE	30"	36"
CFM	695	695
ACT™ CFM	390, 290	390, 290
FEATURES		
Sones	1.5 - 5.5	1.5 - 5.5
Controls	Electronic Touch	Electronic Touch
Speed Levels	3	3
Auto Delay-Off	Yes	Yes
Lighting	Halogen	Halogen
Dual-Level Lighting	Yes	Yes
Removable Safety Grilles	2	2
Recirculating	No	No
Self Cleaning	Yes	Yes
OPTIONAL ACCESSORIES		
Bloom™ GU10 LED	ZOB0040	ZOB0040
Make-Up Air Kit	MUA008A	MUA008A
7" Round Damper	AK00067	AK00067



PISA

UNDER-CABINET

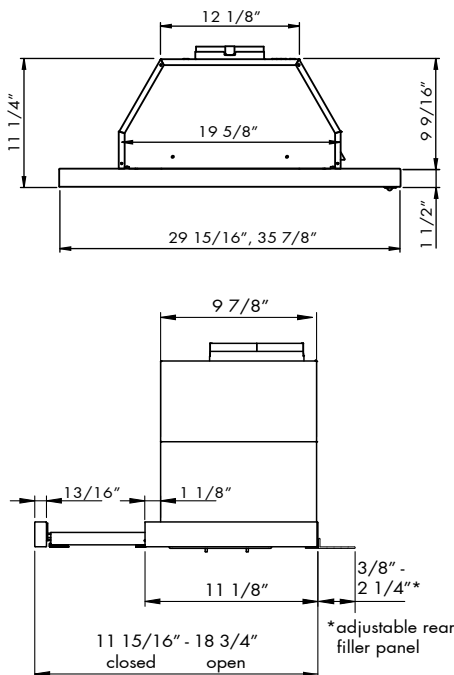
Tucked neatly out of sight within your cabinetry, Pisa is a minimal alternative to your typical under-cabinet range hood. Powered by the strength of a 500-CFM or 290-CFM blower, Pisa's low-profile body delivers stunning design

and quality performance. Its retractable visor helps in the capture of air and puts control at your fingertips. Pisa is perfect for kitchens that require a more discreet look.

MODEL	ZPI-E24AG290 Stainless Steel w/ Glass, 290 CFM ZPI-E24AW290 White w/ Glass, 290 CFM ZPI-E24AG Stainless Steel w/ Glass, 500 CFM ZPI-E24AW White w/ Glass, 500 CFM	ZPI-E30AG290 Stainless Steel w/ Glass, 290 CFM ZPI-E30AW290 White w/ Glass, 290 CFM ZPI-E30AG Stainless Steel w/ Glass, 500 CFM ZPI-E30AW White w/ Glass, 500 CFM	ZPI-E36AG290 Stainless Steel w/ Glass, 290 CFM ZPI-E36AG Stainless Steel w/ Glass, 500 CFM
SIZE	24"	30"	36"
CFM	500 or 290	500 or 290	500 or 290
FEATURES			
Sones	1.7 - 5.3 or 1.3 - 3.2	1.7 - 5.3 or 1.3 - 3.2	1.7 - 5.3 or 1.3 - 3.2
Controls	Mechanical Slide	Mechanical Slide	Mechanical Slide
Speed Levels	3	3	3
Auto Delay-Off	No	No	No
Lighting	Halogen	Halogen	Halogen
Dual-Level Lighting	Yes	Yes	Yes
Filter	Aluminum Mesh	Aluminum Mesh	Aluminum Mesh
Recirculating	Yes	Yes	Yes
Vertical and Horizontal Ducting	Yes	Yes	Yes

OPTIONAL ACCESSORIES

Recirculating Kit	ZRC-00PI	ZRC-00PI	ZRC-00PI
Bloom™ GU10 LED	ZOB0040	ZOB0040	ZOB0040



PYRAMID

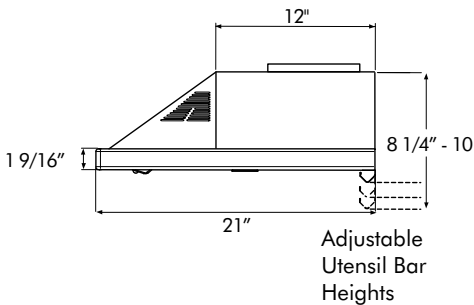
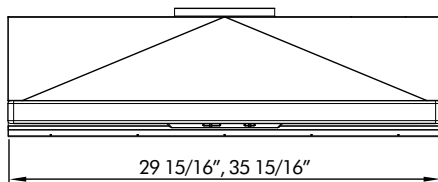
UNDER-CABINET

Classic, architectural lines meet at an apex to energize the classic look of the chimney-style under-cabinet hood. This expressive yet utilitarian design also features an adjustable back

panel utensil rail that puts cooking gear within easy reach. Available in Stainless Steel.

MODEL	ZPY-E30AS Stainless Steel ZPY-E30AS290 Stainless Steel, 290 CFM	ZPY-E36AS Stainless Steel
SIZE	30"	36"
CFM	400 or 290	400
FEATURES		
Sones	2 - 5 or 1.1 - 3.2	2 - 5
Controls	Mechanical Slide	Mechanical Slide
Speed Levels	3	3
Auto Delay-Off	No	No
Lighting	Halogen	Halogen
Dual-Level Lighting	Yes	Yes
Filters	Aluminum Mesh	Aluminum Mesh
Recirculating	Yes	Yes
Adjustable Utensil Bar	Yes	Yes
Vertical and Horizontal Ducting	Yes	Yes

OPTIONAL ACCESSORIES		
Recirculating Kit	ZRC-0200	ZRC-0200
Bloom™ GU10 LED	ZOB0040	ZOB0040
Make-Up Air Kit	MUA006A (400 CFM only)	MUA006A
7" Round Damper	AK00067	AK00067



TAMBURO

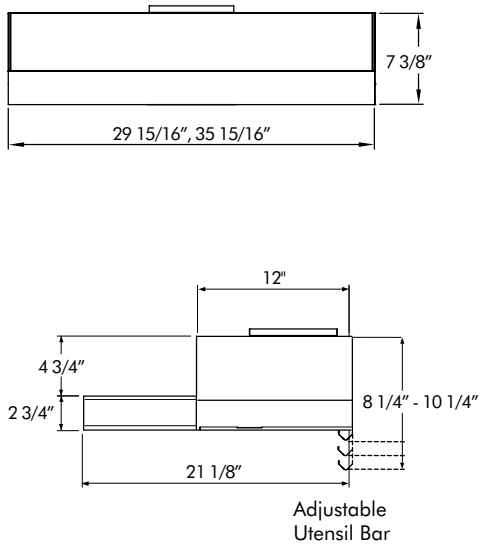
UNDER-CABINET

With Tamburo, we've used a fresh approach that's designed for real life. This original also offers halogen lighting, 3-speeds and an adjustable utensil rail to keep all of your larger

culinary tools right where you want them-above the cooking surface.

MODEL	ZTA-E30AS Stainless Steel ZTA-E30AS290 Stainless Steel, 290 CFM	ZTA-E36AS Stainless Steel
SIZE	30"	36"
CFM	400 or 290	400
FEATURES		
Sones	2 - 5 or 1.1 - 3.2	2 - 5
Controls	Mechanical Slide	Mechanical Slide
Speed Levels	3	3
Auto Delay-Off	No	No
Lighting	Halogen	Halogen
Dual-Level Lighting	Yes	Yes
Filters	Aluminum Mesh	Aluminum Mesh
Recirculating	Yes	Yes
Adjustable Utensil Bar	Yes	Yes
Vertical and Horizontal Ducting	Yes	Yes

OPTIONAL ACCESSORIES		
Recirculating Kit	ZRC-0200	ZRC-0200
Bloom™ GU10 LED	ZOB0040	ZOB0040
Make-Up Air Kit	MUA006A (400 CFM only)	MUA006A
7" Round Damper	AK00067	AK00067



TYPHOON

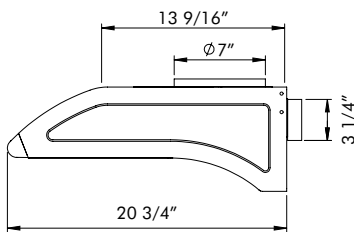
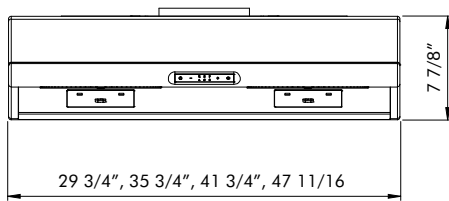
UNDER-CABINET

One of our founding models, now with an updated look, we crafted a smooth curvature then upped the volume with powerful, virtually noise-free 850-CFM blowers. The filter-less self cleaning feature makes maintenance a breeze,

Now with Quiet Speed Setting (QSS) and ACT™ technology.

ACT™

MODEL	AK2100BB Black AK2100BW White AK2100BS Stainless Steel	AK2136BB Black AK2136BW White AK2136BS Stainless Steel	AK2142BS Stainless Steel	AK2148BS Stainless Steel
SIZE	30"	36"	42"	48"
CFM	850	850	850	850
ACT™ CFM	390, 290	390, 290	390, 290	390, 290
FEATURES				
Sones	0.9 - 5	0.9 - 5	0.9 - 5	0.9 - 5
Controls	Capacitive Touch	Capacitive Touch	Capacitive Touch	Capacitive Touch
Speed Levels	6	6	6	6
Quiet Speed Setting (QSS)	Yes	Yes	Yes	Yes
Auto Delay-Off	Yes	Yes	Yes	Yes
Lighting	Halogen	Halogen	Halogen	Halogen
Dual-Level Lighting	Yes	Yes	Yes	Yes
Removable Safety Grilles	2	2	2	2
Recirculating	No	No	No	No
Self Cleaning	Yes	Yes	Yes	Yes
OPTIONAL ACCESSORIES				
Bloom™ GU10 LED	ZOB0040	ZOB0040	ZOB0040	ZOB0040
Make-Up Air Kit	MUA008A	MUA008A	MUA008A	MUA008A
7" Round Damper	AK00067	AK00067	AK00067	AK00067







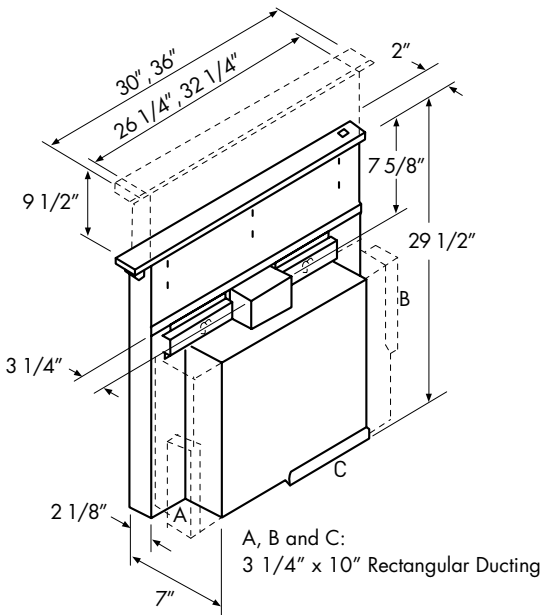
SORRENTO

DOWNDRAFT

Ideal for small kitchens or for island settings where ceilings are too high for ducting, Sorrento rises to the occasion. The brushed stainless steel filter unit houses quiet, efficient centrifugal blowers. An automatic heat sensor

adjusts blowers in high-heat conditions. The press of a button lets you conveniently raise and lower this hood.

MODEL	DD1-E30AS Stainless Steel	DD1-E36AS Stainless Steel
SIZE	30"	36"
CFM	500	500
FEATURES		
Sones	NA	NA
Controls	Control Knob	Control Knob
Speed Levels	Variable	Variable
Auto Off	Yes	Yes
Automatic Heat Sensor	Yes	Yes
Filters	Decorative Mesh	Decorative Mesh
OPTIONAL ACCESSORIES		
Remote up down control	DDA-0001	DDA-0001
Make-Up Air Kit	MUA006A	MUA006A



MONSOON DCBL

INSERT

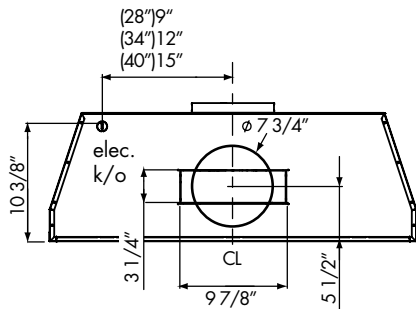
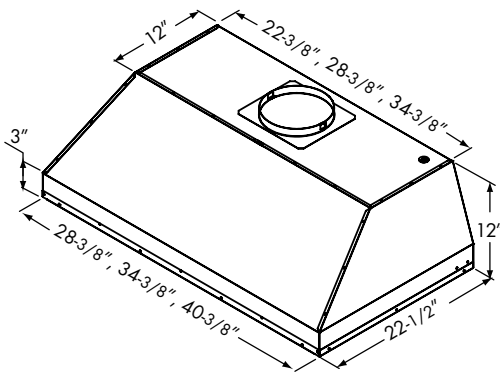
Monsoon DCBL is unique in the marketplace. We started with a 715-CFM DC motor and added stainless steel baffle filters with a removable grease tray for easy cleaning. Then we introduced vertical and horizontal ducting to one-piece liner range hoods. We also equipped

Monsoon DCBL with a wireless remote control, and finally, we added the proprietary DCBL Suppression System® that makes Monsoon DCBL the most quiet and energy efficient one-piece liner available today.



MODEL	AK9428AS Stainless Steel	AK9434AS Stainless Steel	AK9440AS Stainless Steel
SIZE	28-3/8"	34-3/8"	40-3/8"
CFM	715	715	715
ACT™ CFM	590, 390, 290	590, 390, 290	590, 390, 290
FEATURES			
Sones	0.8 - 5.8	0.8 - 5.8	0.8 - 5.8
Controls	Electronic LCD	Electronic LCD	Electronic LCD
Speed Levels	5 + Burst	5 + Burst	5 + Burst
Auto Delay-Off	Yes	Yes	Yes
CleanAir Function	Yes	Yes	Yes
Lighting	Bloom™ HD LED	Bloom™ HD LED	Bloom™ HD LED
Dual-Level Lighting	Yes	Yes	Yes
Filters	Pro Baffle	Pro Baffle	Pro Baffle
Recirculating	No	No	No
Wireless Remote Control	Yes	Yes	Yes
Vertical and Horizontal Ducting	Yes	Yes	Yes

OPTIONAL ACCESSORIES			
Make-Up Air Kit	MUA008A	MUA008A	MUA008A



MONSOON I

INSERT

Monsoon I has taken the one-piece liner to the next level. Including dual-level halogen lights and an ADA-compliant RF remote you can easily control Monsoon I without ever reaching over a dangerous cooking surface. Equipped

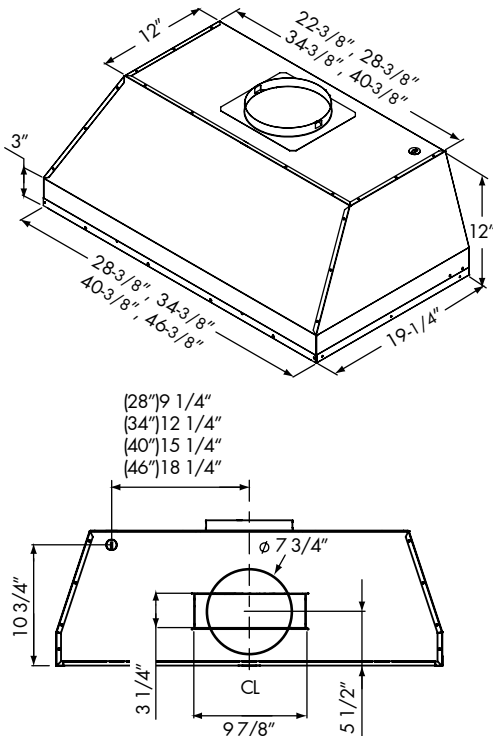
with 6-speed electronic controls, pro baffle filters and either a powerful 600 CFM blower (28" and 34" models) or 1,200 CFM blower (40" and 46" models).

ACT™

MODEL	AK9228AS Stainless Steel	AK9234AS Stainless Steel	AK9240AS Stainless Steel	AK9246AS Stainless Steel
SIZE	28-3/8"	34-3/8"	40-3/8"	46-3/8"
CFM	600	600	1,200	1,200
ACT™ CFM	390, 290	390, 290	590, 390	590, 390
FEATURES				
Sones	1 - 6	1 - 6	3.5 - 9	3.5 - 9
Controls	Electronic Touch	Electronic Touch	Electronic Touch	Electronic Touch
Speed Levels	6	6	6	6
Auto Delay-Off	Yes	Yes	Yes	Yes
CleanAir Function	Yes	Yes	Yes	Yes
Lighting	Halogen	Halogen	Halogen	Halogen
Dual-Level Lighting	Yes	Yes	Yes	Yes
Filters	Pro Baffle	Pro Baffle	Pro Baffle	Pro Baffle
Wireless Remote Control	Yes	Yes	Yes	Yes
Recirculating	No	No	No	No

OPTIONAL ACCESSORIES

Bloom™ GU10 LED	ZOB0040	ZOB0040	ZOB0040	ZOB0040
Make-Up Air Kit	MUA006A	MUA006A	MUA010A	MUA010A



MONSOON MINI

INSERT

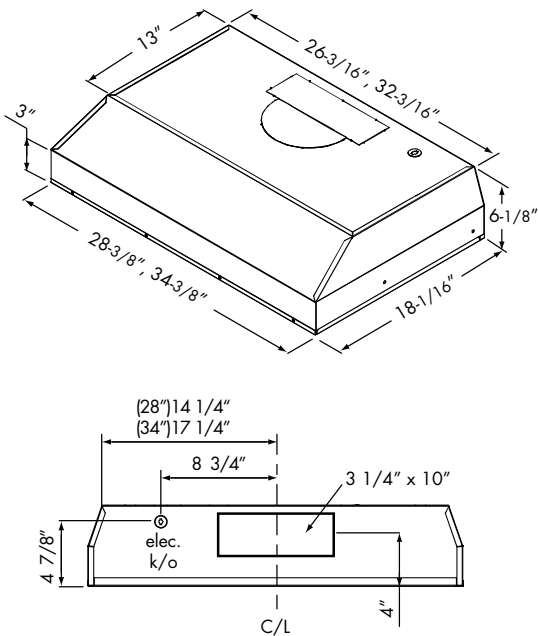
Good things come in small packages, and in this case it's the Monsoon Mini one-piece liner. Including dual-level halogen lights and 3-speed mechanical slide controls. Also equipped with a

300-CFM blower and the ability to duct either vertically or horizontally.

MODEL	AK9128AS-BF Stainless Steel	AK9134AS-BF Stainless Steel
SIZE	28-3/8"	34-3/8"
CFM	300	300
FEATURES		
Sones	1.5 - 4	1.5 - 4
Controls	Mechanical Slide	Mechanical Slide
Speed Levels	3	3
Auto Delay-Off	No	No
CleanAir Function	No	No
Lighting	Halogen	Halogen
Dual-Level Lighting	Yes	Yes
Filters	Hybrid Baffle	Hybrid Baffle
Recirculating	Yes	Yes
Vertical and Horizontal Ducting	Yes	Yes

OPTIONAL ACCESSORIES

Recirculating Kit	ZRC-9100A	ZRC-9100A
Bloom™ GU10 LED	ZOB0040	ZOB0040
7" Round Damper	AK00067	AK00067



TORNADO I

INSERT

Tornado I provides muscle and flexibility in a small, barely-visible package beneath your customizable vent hood canopy. This 600-CFM power pack features dual-level halogen lighting, 3-speed blower, a newly updated hybrid baffle

filter and an angled housing unit for a better fit with any built-in canopy. An optional stainless steel liner extends and protects your cabinetry.

MODEL AK8100AS-BF
Stainless Steel

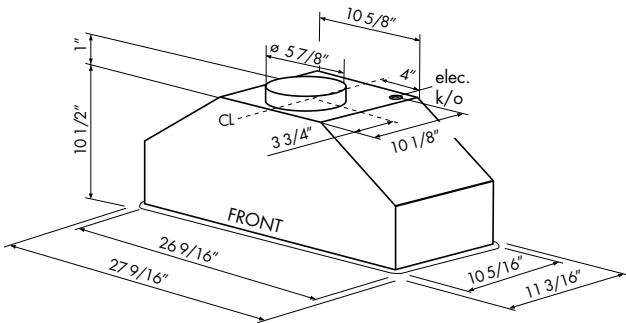
SIZE 27"
CFM 600

FEATURES

Sones 1.4 - 6
Controls Mechanical Slide
Speed Levels 3
Auto Delay-Off No
Lighting Halogen
Dual-Level Lighting Yes
Filter Hybrid Baffle
Recirculating No
Vertical Ducting Yes

OPTIONAL ACCESSORIES

30" Liner (17 1/2" - 20 1/2" adjustable depth) AK0800AS
36" Liner (17 1/2" - 20 1/2" adjustable depth) AK0836AS
Bloom™ GU10 LED ZOB0040
Make-Up Air Kit MUA006A



TORNADO MINI

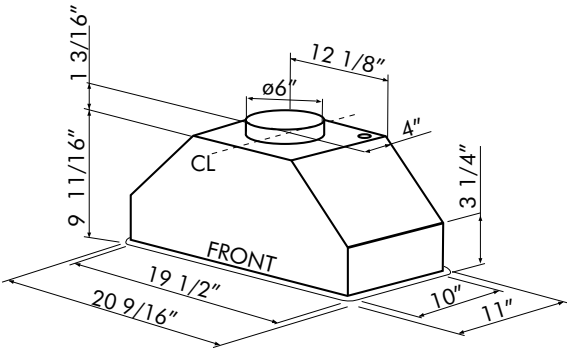
INSERT

The Tornado Mini power pack was designed with cost efficiency and versatility in mind. Tornado Mini's small footprint fits under a standard 12" depth cabinet or choose one of our optional adjustable depth stainless steel liners

to accommodate custom hood enclosures from 17-1/2" to 20-1/2" deep. Features include dual level halogen lights, an ultra-quiet blower and a recirculating option for ductless installations.

MODEL	AK8400AS Stainless Steel
SIZE	20"
CFM	290
FEATURES	
Sones	1.3 - 3.2
Controls	Mechanical Slide
Speed Levels	3
Auto Delay-Off	No
Lighting	Halogen
Dual-Level Lighting	Yes
Filter	Aluminum Mesh
Recirculating	Yes

OPTIONAL ACCESSORIES	
30" Liner (17 1/2" - 20 1/2" adjustable depth)	AK0840AS
36" Liner (17 1/2" - 20 1/2" adjustable depth)	AK0846AS
Recirculating Kit	ZRC-8400A
Bloom™ GU10 LED	ZOB0040



TWISTER

INSERT

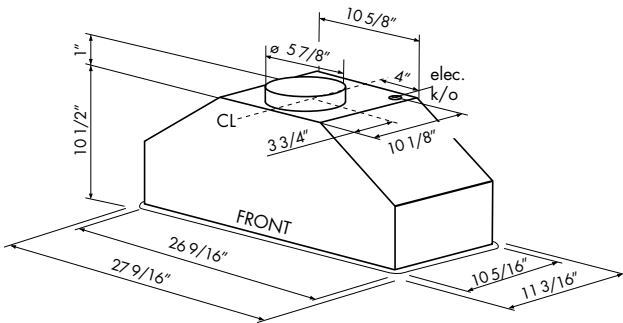
The 3-speed Twister with halogen lighting hides the ventilation you need beneath your custom, built-in canopy. An optional liner extends and beautifies the hood and protects your cabinetry.

MODEL AK8000BS
Stainless Steel

SIZE 27"
CFM 400

FEATURES
Sones 2 - 5
Controls Mechanical Slide
Speed Levels 3
Auto Delay-Off No
Lighting Halogen
Dual-Level Lighting Yes
Filter Aluminum Mesh
Recirculating Yes
Vertical Ducting Yes

OPTIONAL ACCESSORIES
30" Liner (17 1/2" - 20 1/2" adjustable depth) AK0800AS
36" Liner (17 1/2" - 20 1/2" adjustable depth) AK0836AS
Recirculating Kit ZRC-0100
Bloom™ GU10 LED ZOB0040



TWISTER ES

INSERT

The Twister ES, certified ENERGY STAR® power pack was designed with cost efficiency in mind for a solution that blends in anywhere. The 3-speed Twister ES hides the ventilation you need beneath your custom, built-in canopy.

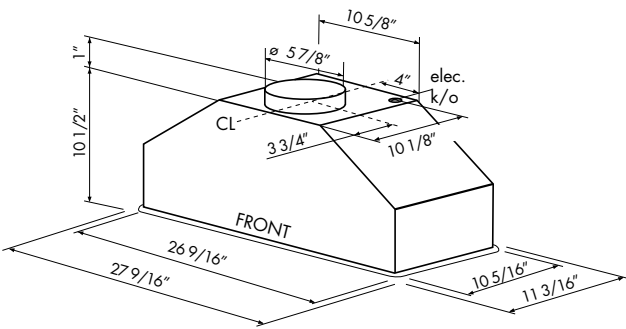
An optional stainless steel liner extends the hood and protects your cabinetry. 290-CFM, 3-speeds, ENERGY STAR approved. Includes energy-efficient, warm white fluorescent lighting.



MODEL	AK8000AS-ES Stainless Steel
SIZE	27"
CFM	290
FEATURES	
Sones	1.6 - 3.8
Controls	Mechanical Slide
Speed Levels	3
Auto Delay-Off	No
Lighting	Flourescent
Dual-Level Lighting	No
Filters	Aluminum Mesh
Recirculating	No
Vertical Ducting	Yes

OPTIONAL ACCESSORIES

30" Liner (17 1/2" - 20 1/2" adjustable depth)	AK0800AS
36" Liner (17 1/2" - 20 1/2" adjustable depth)	AK0836AS



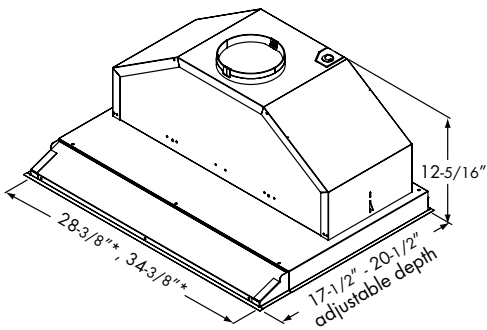
VORTEX

INSERT

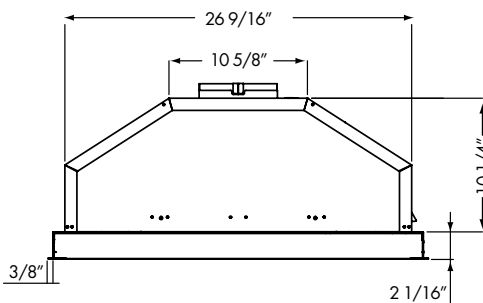
The Vortex one-piece liner leads the way with the industry's only adjustable-depth installation. Vortex is designed to extend up to 3 inches towards the front of the custom hood canopy so you can install it in spaces up to 20-1/2" deep.

Add to this its category-leading 390-CFM, optional recirculation kit and its 36-inch mounting height maximum; Vortex stands tall among the rest.

MODEL	AK9028AS Stainless Steel AK9028AS290 Stainless Steel, 290 CFM	AK9034AS Stainless Steel AK9034AS290 Stainless Steel, 290 CFM
SIZE	28-3/8"	34-3/8"
CFM	390 or 290	390 or 290
FEATURES		
Sones	1.4 - 5 or 1.3 - 3.2	1.4 - 5 or 1.3 - 3.2
Controls	Mechanical Slide	Mechanical Slide
Speed Levels	3	3
Auto Delay-Off	No	No
Lighting	Halogen	Halogen
Dual-Level Lighting	Yes	Yes
Filter	Hybrid Baffle	Hybrid Baffle
Recirculating	Yes	Yes
Adjustable Depth	Yes	Yes
OPTIONAL ACCESSORIES		
Recirculating Kit	ZRC-9000	ZRC-9000
Bloom™ GU10 LED	ZOB0040	ZOB0040



*dimensions do not include 3/8" wide flange around the liner



VORTEX ES

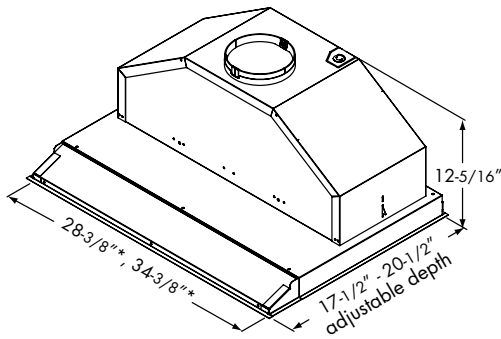
INSERT

The Vortex ES, certified ENERGY STAR® one-piece liner leads the way with the industry's only adjustable-depth installation. Vortex ES is designed to extend up to 3 inches towards

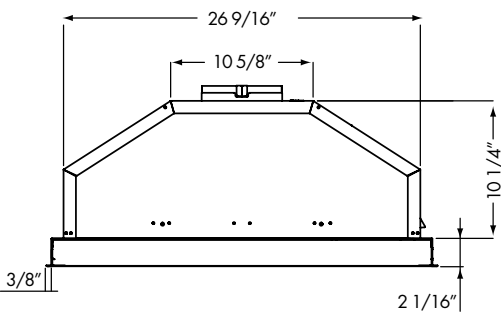
the front of the custom hood canopy so you can install it in spaces up to 20-1/2" deep.



MODEL	AK9028AS-ES Stainless Steel	AK9034AS-ES Stainless Steel
SIZE	28-3/8"	34-3/8"
CFM	290	290
FEATURES		
Sones	1.3 - 3.5	1.3 - 3.5
Controls	Mechanical Slide	Mechanical Slide
Speed Levels	3	3
Auto Delay-Off	No	No
Lighting	Flourescent	Flourescent
Dual-Level Lighting	No	No
Filter	Hybrid Baffle	Hybrid Baffle
Recirculating	No	No
Adjustable Depth	Yes	Yes
Vertical Ducting	Yes	Yes



*dimensions do not include 3/8" wide flange around the liner





PRO COLLECTION

Power, Performance, Size—the sleek, powerful, muscular products in the Pro Collection go above and beyond simple ventilation technology. The hoods in the Pro Collection have been developed for the most discerning of tastes—when nothing but the best, the biggest and the most impressive will do. Loaded with Zephyr's innovative technology such as the groundbreaking new PowerWave™ Blower Technology, the pieces in this collection will shine the brightest in the kitchens of the most passionate culinary enthusiasts.

TITAN

WALL

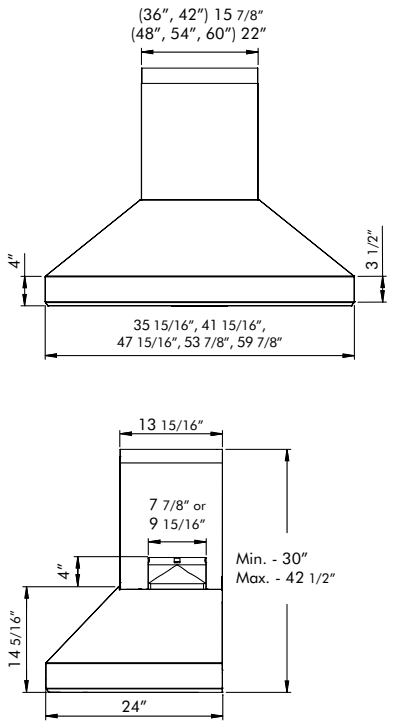
Titan challenges the definition of pro-style hoods with its impressive size, powerful blower, and stunning good looks. Featuring Zephyr's new PowerWave™ technology, Titan includes a 750-CFM blower with the option to combine two blowers together to achieve 1,300 CFM. Its

unique aerodynamic blades improve efficiency with unparalleled quiet operation. The ultimate workhorse in the kitchen, Titan is available up to 60-inches and features pro baffle filters and LED lighting.

ACT™

MODEL	AK7636AS Stainless Steel	AK7642AS Stainless Steel	AK7648AS Stainless Steel	AK7654AS Stainless Steel	AK7660AS Stainless Steel
SIZE	36"	42"	48"	54"	60"
CFM	750 or 1,300*	750 or 1,300*	750 or 1,300*	750 or 1,300*	750 or 1,300*
ACT™ CFM	590, 390, 290	590, 390, 290	590, 390, 290	590, 390, 290	590, 390, 290
FEATURES					
Sones	0.5 - 7	0.5 - 7	0.5 - 7	0.5 - 7	0.5 - 7
Controls	LCD Controls	LCD Controls	LCD Controls	LCD Controls	LCD Controls
Speed Levels	6	6	6	6	6
Auto Delay-Off	Yes	Yes	Yes	Yes	Yes
Directional Lighting	Bloom™ GU10 LED	Bloom™ GU10 LED	Bloom™ GU10 LED	Bloom™ GU10 LED	Bloom™ GU10 LED
Dual-Level Lighting	Yes	Yes	Yes	Yes	Yes
Filters	Pro Baffle	Pro Baffle	Pro Baffle	Pro Baffle	Pro Baffle
Wireless Remote Control	Optional	Optional	Optional	Optional	Optional
Duct Cover Extension	Yes	Yes	Yes	Yes	Yes

OPTIONAL ACCESSORIES					
1,300 CFM Blower Kit	PBD-1300A	PBD-1300A	PBD-1300A	PBD-1300A	PBD-1300A
Duct Cover Extension	Z1C-0076	Z1C-0076	Z1C-0176	Z1C-0176	Z1C-0176
Wireless Remote Control	14000005	14000005	14000005	14000005	14000005
Make-Up Air Kit	MUA008A	MUA008A	MUA008A	MUA008A	MUA008A
	(750 CFM Blower)	(750 CFM Blower)	(750 CFM Blower)	(750 CFM Blower)	(750 CFM Blower)
	MUA010A	MUA010A	MUA010A	MUA010A	MUA010A
	(1,300 CFM Blower)	(1,300 CFM Blower)	(1,300 CFM Blower)	(1,300 CFM Blower)	(1,300 CFM Blower)



*750 CFM blower included, 1,300 CFM blower optional.

TEMPEST II

WALL

Designed with professional-grade performance and seamless contours, the wall-mount Tempest II gives you serious cooking power, with 650-CFM or 1,200-CFM blower options. Equipped with dishwasher-safe, high-airflow pro baffle filters, an optional wireless remote

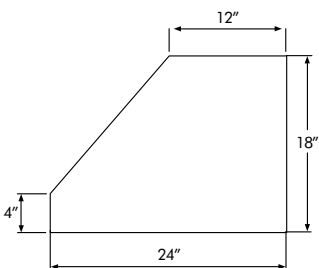
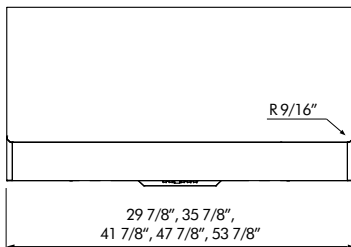
control, 6-speeds, and dual-level halogen lighting, it's everything the demanding cook could ask for.

ACT™

MODEL	AK7500BS Stainless Steel	AK7536BS Stainless Steel	AK7542BS Stainless Steel	AK7548BS Stainless Steel	AK7554BS Stainless Steel
SIZE	30"	36"	42"	48"	54"
CFM	650 or 1,200*	650 or 1,200*	650 or 1,200*	650 or 1,200*	650 or 1,200*
ACT™ CFM	390, 290	390, 290	390, 290	390, 290	390, 290
FEATURES					
Sones	1 - 6 or 3.5 - 9	1 - 6 or 3.5 - 9	1 - 6 or 3.5 - 9	1 - 6 or 3.5 - 9	1 - 6 or 3.5 - 9
Controls	Electronic Touch	Electronic Touch	Electronic Touch	Electronic Touch	Electronic Touch
Speed Levels	6	6	6	6	6
Auto Delay-Off	Yes	Yes	Yes	Yes	Yes
CleanAir Function	Yes	Yes	Yes	Yes	Yes
Lighting	Halogen	Halogen	Halogen	Halogen	Halogen
Dual-Level Lighting	Yes	Yes	Yes	Yes	Yes
Filters	Pro Baffle	Pro Baffle	Pro Baffle	Pro Baffle	Pro Baffle
Wireless Remote Control	Optional	Optional	Optional	Optional	Optional
Recirculating	Yes (650 CFM blower only)	Yes (650 CFM blower only)	Yes (650 CFM blower only)	No	No

OPTIONAL ACCESSORIES

1,200 CFM Blower Kit	PBD-1200A	PBD-1200A	PBD-1200A	PBD-1200A	PBD-1200A
12" Duct Cover	AK0720	AK0726	AK0722	AK0728	AK0724
Backsplash with Shelves	AK0710	AK0716	AK0712	AK0718	AK0714
Recirculating Kit	ZRC-7000B	ZRC-7036B	ZRC-7042B	NA	NA
Bloom™ GU10 LED	ZOB0040	ZOB0040	ZOB0040	ZOB0040	ZOB0040
Wireless Remote Control	14000005	14000005	14000005	14000005	14000005
Make-Up Air Kit	MUA008A (650 CFM Blower)	MUA008A (650 CFM Blower)	MUA008A (650 CFM Blower)	MUA008A (650 CFM Blower)	MUA008A (650 CFM Blower)
	MUA010A (1,200 CFM Blower)	MUA010A (1,200 CFM Blower)	MUA010A (1,200 CFM Blower)	MUA010A (1,200 CFM Blower)	MUA010A (1,200 CFM Blower)



*650 CFM blower included, 1,200 CFM blower optional.

TEMPEST I

UNDER-CABINET

A streamlined under-cabinet pro-style range hood, Tempest I combines power, efficiency and flexibility. 650-CFM or optional 1,200-CFM blower options and high-airflow pro baffle filters (that are dishwasher-safe) ensure a lifetime of exceptional performance. Additional options

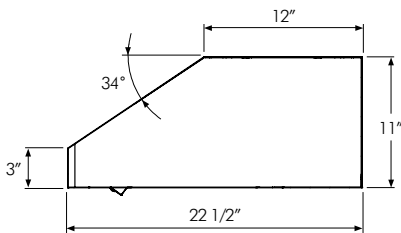
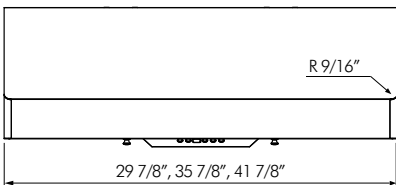
like a wireless remote control and recirculation kits for kitchens that require ductless venting ensure all you have to think about is cooking.

ACT™

MODEL	AK7000BS Stainless Steel	AK7036BS Stainless Steel	AK7042BS Stainless Steel
SIZE	30"	36"	42"
CFM	650	650 or 1,200*	650 or 1,200*
ACT™ CFM	390, 290	390, 290	390, 290
FEATURES			
Sones	1 - 6	1 - 6 or 3.5 - 9	1 - 6 or 3.5 - 9
Controls	Electronic Touch	Electronic Touch	Electronic Touch
Speed Levels	6	6	6
Auto Delay-Off	Yes	Yes	Yes
CleanAir Function	Yes	Yes	Yes
Lighting	Halogen	Halogen	Halogen
Dual-Level Lighting	Yes	Yes	Yes
Filters	Pro Baffle	Pro Baffle	Pro Baffle
Wireless Remote Control	Optional	Optional	Optional
Recirculating	Yes	Yes (650 CFM blower only)	Yes (650 CFM blower only)

OPTIONAL ACCESSORIES

1,200 CFM Blower Kit	NA	PBD-1200A	PBD-1200A
12" Duct Cover	AK0720	AK0726	AK0722
Backsplash with Shelves	AK0710	AK0716	AK0712
Recirculating Kit	ZRC-7000B	ZRC-7036B	ZRC-7042B
Bloom™ GU10 LED	ZOB0040	ZOB0040	ZOB0040
Wireless Remote Control	14000005	14000005	14000005
Make-Up Air Kit	MUA008A (650 CFM Blower)	MUA008A (650 CFM Blower)	MUA008A (650 CFM Blower)
	NA	MUA010A (1,200 CFM Blower)	MUA010A (1,200 CFM Blower)



*650 CFM blower included, 1,200 CFM blower optional.

MONSOON II

INSERT

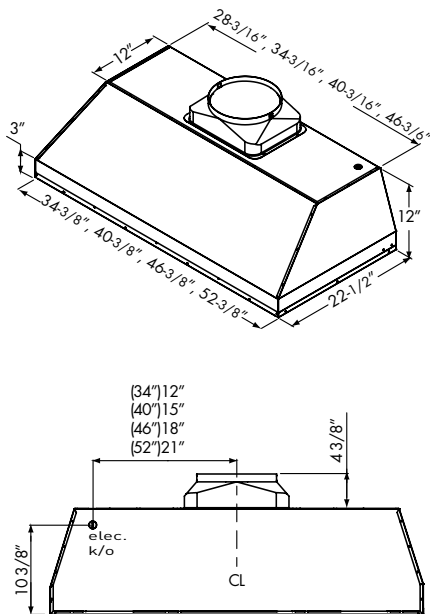
Now available with our exclusive ACT™ technology, Monsoon II delivers and then more. Starting with recognized conventional installation dimensions, Monsoon II fits into any custom cabinetry or enclosure. Its stainless steel baffle filters with removable grease tray make

it easy to maintain its pro-style look, while the 6-speed electronic controls and wireless remote control give the homeowner more than they expected.

ACT™

MODEL	AK9334AS Stainless Steel	AK9340AS Stainless Steel	AK9346AS Stainless Steel	AK9352AS Stainless Steel
SIZE	34-3/8"	40-3/8"	46-3/8"	52-3/8"
CFM	1,200	1,200	1,200	1,200
ACT™ CFM	590, 390	590, 390	590, 390	590, 390
FEATURES				
Sones	3.5 - 9	3.5 - 9	3.5 - 9	3.5 - 9
Controls	Electronic Touch	Electronic Touch	Electronic Touch	Electronic Touch
Speed Levels	6	6	6	6
Auto Delay-Off	Yes	Yes	Yes	Yes
CleanAir Function	Yes	Yes	Yes	Yes
Lighting	Halogen	Halogen	Halogen	Halogen
Dual-Level Lighting	Yes	Yes	Yes	Yes
Filters	Pro Baffle	Pro Baffle	Pro Baffle	Pro Baffle
Wireless Remote Control	Yes	Yes	Yes	Yes
Recirculating	No	No	No	No
Vertical Ducting	Yes	Yes	Yes	Yes

OPTIONAL ACCESSORIES				
Bloom™ GU10 LED	ZOB0040	ZOB0040	ZOB0040	ZOB0040
Make-Up Air Kit	MUA010A	MUA010A	MUA010A	MUA010A



TORNADO II

INSERT

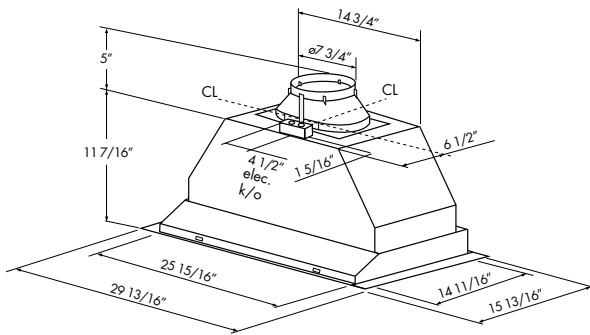
If you'd like professional-grade punch with all the amenities, Tornado II will be your best-kept secret, with a powerful blower and an optional adjustable-depth liner for more flexible installations. A stylish and discreet wireless remote puts you in control. Dual-level halogen lights

illuminate the surface below. Choose the ventilation level that's right for you along with an optional, easy-to-install stainless steel liner to complement your kitchen's style.

MODEL	AK8200AS Stainless Steel
SIZE	29"
CFM	1,000
FEATURES	
Sones	3.5 - 8
Controls	Electronic Touch
Speed Levels	3
Auto Delay-Off	Yes
CleanAir Function	Yes
Lighting	Halogen
Dual-Level Lighting	Yes
Filters	Pro Baffle
Recirculating	No
Wireless Remote Control	Yes
Vertical Ducting	Yes

OPTIONAL ACCESSORIES

36" SS Liner (20 1/2" - 23 1/2" adjustable depth)	AK0806AS
42" SS Liner (20 1/2" - 23 1/2" adjustable depth)	AK0842AS
Bloom™ GU10 LED	Z0B0040
Make-Up Air Kit	MUA010A



TORNADO III

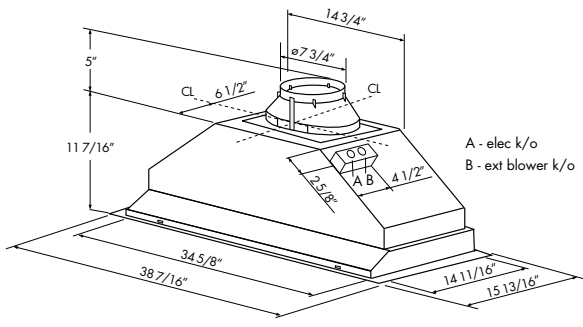
INSERT

Tornado III takes the typical power pack up a notch, with multiple blower options to meet the most demanding chef's requirements. 3-speed electronic controls put you in command of either a 290, 600 or 1,000-CFM blower. Dual-level halogen lights illuminate the surface be-

low; while the stylish wireless remote puts you in command from up to 15 feet away. Optional stainless steel liners are available in 48", 54" and 60" sizes.

MODEL	AK8300ASX Stainless Steel
SIZE	38"
Internal Blower CFM*	290, CBI-290B
Internal Blower CFM*	600, CBI-600B
Internal Blower CFM*	1,000, PBI-1100A
In-Line Blower CFM*	1,000, PBN-1000A
External Blower CFM*	1,000, CBE-1000
FEATURES	
Sones	1.4 - 8
Controls	Electronic Touch
Speed Levels	3
Auto Delay-Off	Yes
CleanAir Function	Yes
Lighting	Halogen
Dual-Level Lighting	Yes
Filters	Pro Baffle
Recirculating	No
Wireless Remote Control	Yes
Vertical and Horizontal Ducting	Yes

OPTIONAL ACCESSORIES	
48" SS Liner (20 1/2" - 23 1/2" adjustable depth)	AK0848AS
54" SS Liner (20 1/2" - 23 1/2" adjustable depth)	AK0854AS
60" SS Liner (20 1/2" - 23 1/2" adjustable depth)	AK0860AS
Bloom™ GU10 LED	ZOB0040



*Blower not included

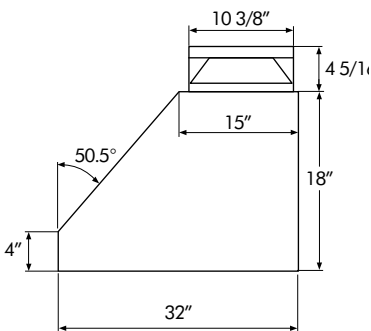
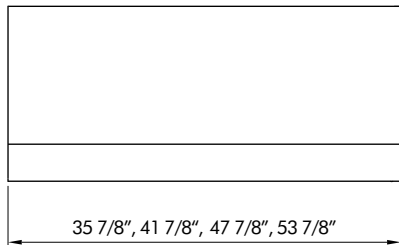
CYPRESS WALL

OUTDOOR

Cypress features a seamlessly contoured, fully welded and polished exterior, along with a corrosion resistant, 304-grade stainless steel canopy that houses high-performance professional stainless steel baffle filters that enhance airflow and are dishwasher safe. Three-speed

metallic knob controls withstand extreme heat and moisture. Available with dual-level halogen lighting and an extended 32" depth for even more capture. An optional 12" duct cover and telescopic duct cover for 10' to 12' ceilings available.

MODEL	AK7836BS Stainless Steel	AK7842BS Stainless Steel	AK7848BS Stainless Steel	AK7854BS Stainless Steel
SIZE	36"	42"	48"	54"
CFM	1,200	1,200	1,200	1,200
FEATURES				
Sones	3.5 - 9	3.5 - 9	3.5 - 9	3.5 - 9
Controls	Metallic Knob	Metallic Knob	Metallic Knob	Metallic Knob
Speed Levels	3	3	3	3
Auto Delay-Off	No	No	No	No
Lighting	Halogen	Halogen	Halogen	Halogen
Dual-Level Lighting	Yes	Yes	Yes	Yes
32" Extended Depth	Yes	Yes	Yes	Yes
Filters	Pro Baffle	Pro Baffle	Pro Baffle	Pro Baffle
Recirculating	No	No	No	No
Vertical and Horizontal Ducting	Yes	Yes	Yes	Yes
OPTIONAL ACCESSORIES				
Duct Cover 12'	AK0736BS	AK0742BS	AK0748BS	AK0754BS
Duct Cover (For ceilings of 10' - 12')	Z1C-0078	Z1C-0078	Z1C-0078	Z1C-0078
Bloom™ GU10 LED	Z0B0040	Z0B0040	Z0B0040	Z0B0040



Shown with 12" duct cover.

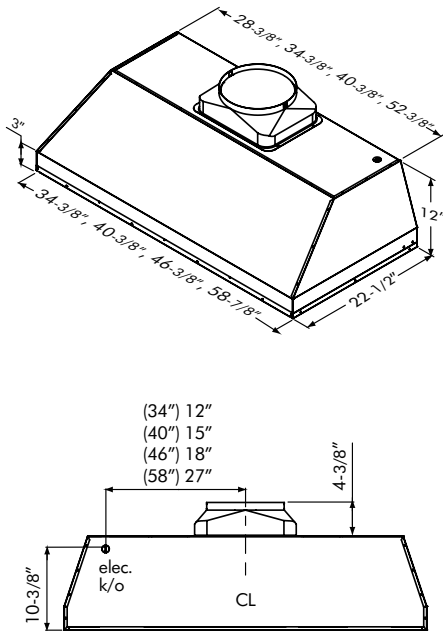
SPRUCE INSERT

OUTDOOR

The Spruce outdoor insert is a one-piece liner that can be installed in wall or island applications. Spruce includes corrosion-resistant 304-grade stainless steel and powerful 1,200 CFM internal blowers to handle the most intense grilling. Featuring three-speed metallic

knob controls and directional halogen lighting with pro baffle filters that enhance airflow.

MODEL	AK9834AS	AK9840AS	AK9846AS	AK9858AS
	Stainless Steel	Stainless Steel	Stainless Steel	Stainless Steel
SIZE	34 3/8"	40 3/8"	46 3/8"	58 7/8"
CFM	1,200	1,200	1,200	1,200
FEATURES				
Sones	3.5 - 9	3.5 - 9	3.5 - 9	3.5 - 9
Controls	Metallic Knob	Metallic Knob	Metallic Knob	Metallic Knob
Speed Levels	3	3	3	3
Auto Delay-Off	No	No	No	No
Directional Lighting	Halogen	Halogen	Halogen	Halogen
Dual-Level Lighting	Yes	Yes	Yes	Yes
Filters	Pro Baffle	Pro Baffle	Pro Baffle	Pro Baffle
High Quality Stainless Steel	304S	304S	304S	304S
Removable Grease Tray	Yes	Yes	Yes	Yes
OPTIONAL ACCESSORIES				
Bloom™ GU10 LED	ZOB0040	ZOB0040	ZOB0040	ZOB0040



WILLOW INSERT

OUTDOOR

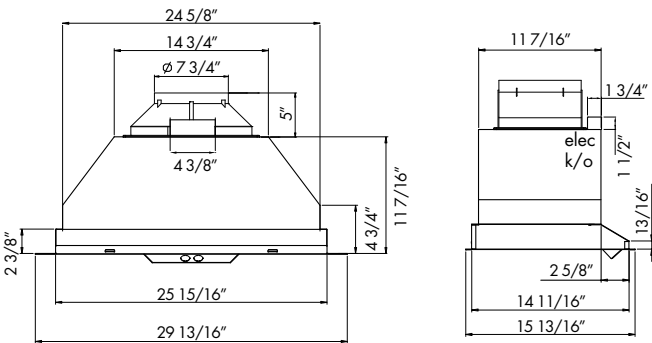
Willow's high performance professional stainless steel baffle filters enhance airflow, while being corrosion resistant and dishwasher safe. 2-speed, rocker controls withstand extreme heat and moisture. Optional, adjustable-depth 304-grade liners are available in 36", 42", 48",

54" and 60" widths. Select either 304-grade stainless steel or galvanized steel with gray powder-coat protection.

MODEL	AK8800AS Stainless Steel	AK8800AG Gray
SIZE	29"	29"
CFM	1,000	1,000
FEATURES		
Sones	3.5 - 8	3.5 - 8
Controls	Rocker Switch	Rocker Switch
Speed Levels	2	2
Auto Delay-Off	No	No
Lighting	Halogen	Halogen
Dual-Level Lighting	No	No
Filters	Pro Baffle	Pro Baffle
Recirculating	No	No

OPTIONAL ACCESSORIES

36" 304 SS Liner (20-1/2" -23-1/2" Depth)*	AK0886AS	AK0886AS
36" 304 SS Liner (26-1/2" -29-1/2" Depth)*	AK0886BS	AK0886BS
42" 304 SS Liner (20-1/2" -23-1/2" Depth)*	AK0882AS	AK0882AS
42" 304 SS Liner (26-1/2" -29-1/2" Depth)*	AK0882BS	AK0882BS
48" 304 SS Liner (20-1/2" -23-1/2" Depth)*	AK0888AS	AK0888AS
48" 304 SS Liner (26-1/2" -29-1/2" Depth)*	AK0888BS	AK0888BS
54" 304 SS Liner (20-1/2" -23-1/2" Depth)*	AK0884AS	AK0884AS
54" 304 SS Liner (26-1/2" -29-1/2" Depth)*	AK0884BS	AK0884BS
60" 304 SS Liner (20-1/2" -23-1/2" Depth)*	AK0880AS	AK0880AS
60" 304 SS Liner (26-1/2" -29-1/2" Depth)*	AK0880BS	AK0880BS
Bloom™ GU10 LED	ZOB0040	ZOB0040



*Refer to liner specification sheet for more detailed dimensions.





Discover Zephyr in person by visiting our San Francisco Showroom. We are located in the heart of San Francisco's Design District with more than 7,000 square feet displaying the latest in range hood and cooking products.

2277 Alameda Street
at Potrero
San Francisco,
California
94103

zephyronline.com

Photo Credit
59 Laura Burton Interiors &
An Indoor Lady Photography
82 Tess Giuliani &
Peter Rymwid Photography

PRODUCT INDEX

DESIGNER COLLECTION

- 11 Duo (ADU)
- 12 Incline (AIN)
- 13 Layers (ALA)
- 14 Limited Edition Okeanito (COK)
- 15 Okeanito (COK)
- 16 Wave (AWA)
- 17 Duo (ADL)
- 18 Layers (ALL)
- 19 Lux (ALU)
- 20 Trapeze (CTP)

CORE COLLECTION

- 23 Anzio (ZAN)
- 24 Lucé (ZLU)
- 25 Milano (ZMI)
- 26 Modena (ZMO)
- 27 Ombra (ZOM)
- 28 Ravenna (ZRV)
- 29 Roma (ZRO)
- 30 Savona (ZSA)
- 33 Siena (ZSI)
- 34 Siena ES (ZSI-ES)
- 35 Siena Pro (ZSP)
- 36 Venezia (ZVE)
- 37 Verona (ZVO)
- 39 Anzio (ZAZ)
- 40 Lucé (ZLC)
- 41 Milano (ZML)
- 42 Modena (ZMD)
- 43 Napoli (ZNA)
- 44 Ravenna (ZRE)
- 45 Roma (ZRM)
- 46 Siena Pro (ZSL)
- 47 Verona (ZVN)
- 49 Breeze I (AK11)
- 50 Breeze II (AK12)
- 51 Cyclone (AK65)
- 52 Genova (ZGE)
- 53 Gust (AK71)
- 54 Hurricane (AK25)
- 55 Pisa (ZPI)
- 56 Pyramid (ZPY)
- 57 Tamburo (ZTA)
- 58 Typhoon (AK21)
- 61 Sorrento (DD1)
- 62 Monsoon DCBL (AK94)
- 63 Monsoon I (AK92)
- 64 Monsoon Mini (AK91)
- 65 Tornado I (AK81)
- 66 Tornado Mini (AK84)
- 67 Twister (AK80)
- 68 Twister ES (AK80-ES)
- 69 Vortex (AK90)
- 70 Vortex ES (AK90-ES)

PRO COLLECTION

- 73 Titan (AK76)
- 74 Tempest II (AK75)
- 75 Tempest I (AK70)
- 76 Monsoon II (AK93)
- 77 Tornado II (AK82)
- 78 Tornado III (AK83)
- 79 Cypress (AK78)
- 80 Spruce (AK98)
- 81 Willow (AK88)

WALL

ISLAND

WALL

ISLAND

UNDER-CABINET

DOWNDRAFT

INSERT

WALL

UNDER-CABINET

INSERT

OUTDOOR

ZEPHYR

ZEPHYR VENTILATION
2277 Harbor Bay Parkway
Alameda, CA 94502

1.888.880.VENT
ZEPHYRONLINE.COM

MAR18.0101