

CORE

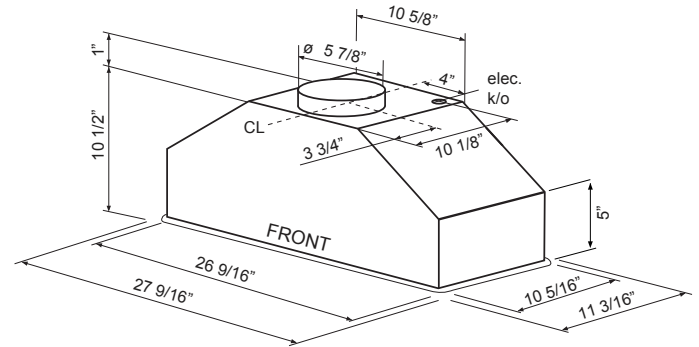
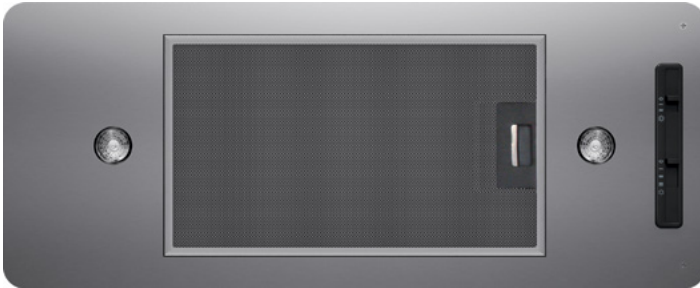
TWISTER

INSERT

The 3-speed Twister with halogen lighting hides the ventilation you need beneath your custom, built-in canopy. An optional liner extends and beautifies the hood and protects your cabinetry.

ZEPHYR

ZEPHYRONLINE.COM



Cabinet Bottom Cut-Out Size (W x D): 26 3/4" x 10 1/2"



MODEL

Stainless Steel

AK8000BS

Size

27" (27-9/16")

Blower CFM (Min. - Max.)

210 - 400

Sones (Min. - Max.)

2 - 5

FEATURES**Controls**

Mechanical Slide

Speed Levels

3

Lighting

Halogen, 35W x2

Dual-Level Lighting

Yes

Filters

Aluminum Mesh x1

Recirculating Option

Yes

DUCT SPECIFICATIONS**Vertical Internal Blower**

6" Round

Horizontal Internal Blower

NA

AC POWER

120V, 60Hz at Max. 2.7A

OPTIONAL ACCESSORIES**30" Liner (17-1/2" - 20-1/2" Depth)**

AK0800AS

36" Liner (17-1/2" - 20-1/2" Depth)

AK0836AS

Recirculating Kit

ZRC-0100

Bloom™ GU10 LED

Z0B0040

MOUNTING HEIGHT RANGE**

24" - 36"

WARRANTY

10 years parts, 1 year labor

*Mounting height refers to distance between top of a 36" tall cooking surface and bottom of hood.