

VORTEX ES one-piece liner

The Vortex ES, certified **ENERGY STAR**® one-piece liner leads the way with the industry's only adjustable-depth installation. Vortex ES is designed to extend up to 3 inches towards the front of the custom hood canopy so you can install it in spaces up to 20-1/2" deep.

MODEL	SIZE	INTERNAL BLOWER	
		<i>Min.-Max. CFM</i>	<i>Min.-Max. Sones</i>
AK9028AS-ES	28-3/8" (30")	170 - 290	1.3 - 3.5
AK9034AS-ES	34-3/8" (36")	170 - 290	1.3 - 3.5



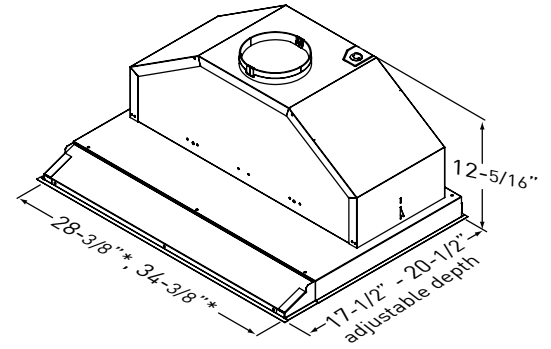
VORTEX ES | POWER

ESSENTIALS
EUROPA POWER BREEZE

SIZE	
AK9028AS-ES	28-3/8" (30")
AK9034AS-ES	34-3/8" (36")
PERFORMANCE	
INTERNAL, MIN.-MAX. BLOWER CFM	170 - 290
INTERNAL, MIN.-MAX. SONES	1.3 - 3.5
COLOR	
STAINLESS STEEL	SS
FEATURES	
ENERGY STAR CERTIFIED	Yes
CONTROLS	Mechanical Slide
SPEED LEVELS	3
LIGHTING	Fluorescent, 13W x 2
DUAL LEVEL LIGHTING	No
FILTERS	Baffle x 1
RECIRCULATING OPTION	No
DUCT SPECIFICATIONS	
VERTICAL - INTERNAL	6" Round
HORIZONTAL - INTERNAL	NA
AC POWER	120V, 60Hz at Max. 1.2A
MOUNTING HEIGHT*	26" - 34"
WARRANTY	3 Years Parts, 1 Year Labor

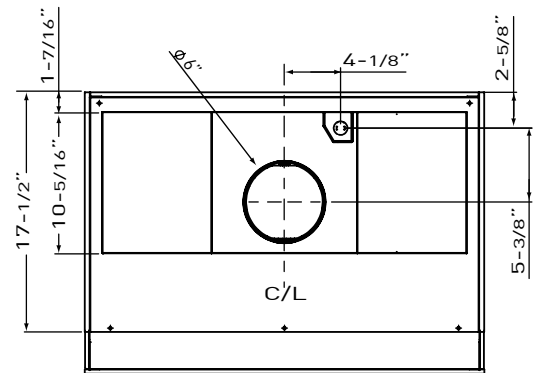
Specifications subject to change, check zephyronline.com for up-to-date information.

*Mounting height refers to distance between top of a 36" tall cooking surface and bottom of hood.

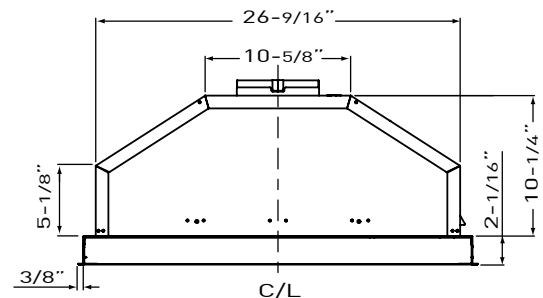


*dimensions do not include 3/8" wide flange around the liner

FRONT



TOP



BACK



ZEPHYR