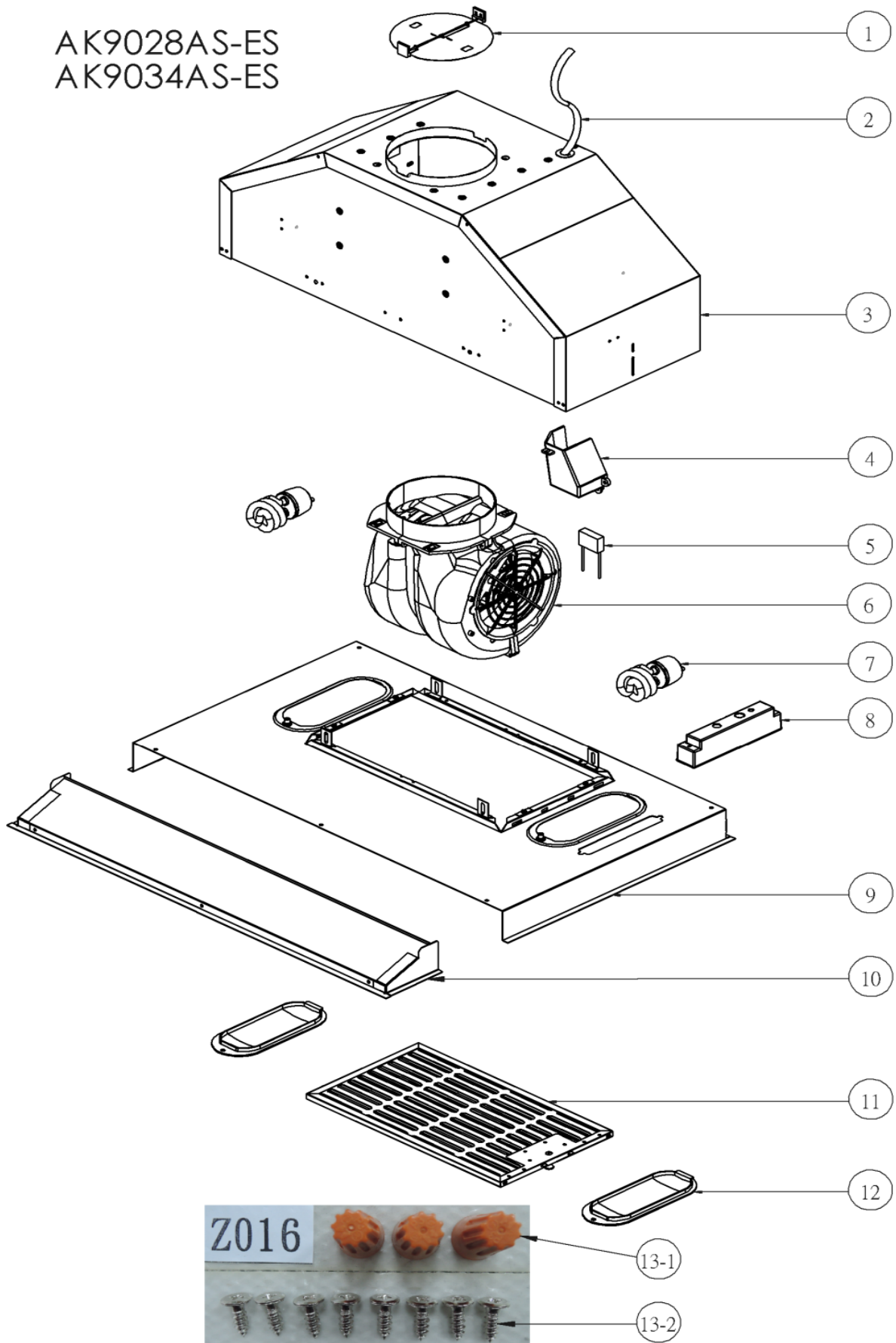


AK9028AS-ES
AK9034AS-ES



AK9028AS-ES, AK9034AS-ES

Ref #	Part #	Description	Qty.
1	54060007	Damper Assembly	1
2	11030015	Wires, Electrical	1
4	54200012	Electrical Box	1
5	12050031	Capacitor	1
6	12120076	Motor	1
7	Z0B-0036	Bulb, Fluorescent, GU-24, 13W	2
8	11000089	Switch Assembly	1
9	50130118	Panel, Bottom (AK9028AS-ES)	1
9	50130119	Panel, Bottom (AK9034AS-ES)	1
10	50140097	Panel, Front (AK9028AS-ES)	1
10	50140098	Panel, Front (AK9034AS-ES)	1
11	50210016	Filter, Baffle	1
12	52150008	Light Cover	2
13	05000101	Hardware Packet	1
13-1	15000002	Wire Nuts	3
13-2	01020025	Screw, 8 x 1/2"	8

JUN14.0101