

An ideal duo of materials combines the warmth of wood with the cool-factor of stainless steel in a fresh - and welcome - creation for the contemporary

kitchen. Choose from charcoal or wenge wood to complement your cabinetry.

DESIGNER:  
ROBERT BRUNNER

**MODEL**

Stainless Steel ADU-M90BSX

Size	90cm (35-3/8")
Internal Blower CFM*	290, CBI-290A
Internal Blower CFM*	600, CBI-600A
In-line Blower CFM*	1,000, PBN-1000A
External Blower CFM*	1,000, CBE-1000
Max. Sones	3.2-6
Controls	Capacitive Touch
Speed Levels	3
Auto Delay-Off	Yes
CleanAir Function**	Yes
Lighting	LED Strip x 1 (8.5W)
Tri-Level Lighting	Yes
Filters	Decorative Mesh x3
Wireless Remote Control	Yes, RF
Recirculating	Yes
Duct Cover Extension	Yes

**DUCT SPECIFICATIONS**

Vertical Internal Blower	6"
Vertical In-Line/External Blower	10" to 8"****
Horizontal	NA
AC INPUT	120V - 60Hz
AC POWER****	Max. 0.4 Amps

**WOOD TRIM OPTIONS**

Charcoal, 1-5/8"	ADW-00CH
Charcoal, 5/8"	AEW-00CH
Wenge (brown), 1-5/8"	ADW-00BR
Wenge (brown), 5/8"	AEW-00BR

**OPTIONAL ACCESSORIES**

Recirculating Kit	ZRC-01LA
Duct Cover Extension Kit	Z1C-00LA (up to 12' ceiling)
Make-Up Air Kit	MUA006A (600 CFM) MUA008A (1,000 CFM)

**MOUNTING HEIGHT RANGE†** 24" - 36"

**WARRANTY** 1 Year parts, 1 year labor

**HOOD HEIGHT CALCULATOR**

CEILING HEIGHT		8'	8.5'	9'	9.5'	10'	10.5'	11'	12'
STANDARD DUCT COVER	Ducted Mounting Height†	24" - 30.5"	24" - 36"	24" - 36"	29" - 36"	35" - 36"	NA	NA	NA
	Recirc. Mounting Height†	24" - 30.5"	24" - 36"	24" - 36"	29" - 36"	35" - 36"	NA	NA	NA
EXTENSION DUCT COVER	Ducted Mounting Height†	NA	NA	NA	24" - 29"	24" - 35"	24" - 36"	24" - 36"	24" - 36"
	Recirc. Mounting Height†	NA	NA	NA	24" - 29"	24" - 35"	24" - 36"	24" - 36"	24" - 36"

\*Blower sold separately.

\*\*CleanAir turns your hood on once every four hours for 10 minutes on speed one.

\*\*\*10" round duct connects to external and in-line blower. Must transition from 10" to 8" before duct passes through ceiling. A 10" to 8" adapter is included with external and in-line blowers.

\*\*\*\*AC power listed above is for hood with lights only. For blower specifications please refer to the blower spec sheet.

†Mounting height refers to distance between top of a 36" tall cooking surface and bottom of hood.

Specifications subject to change, check zephyronline.com for up-to-date information.  
Zephyr Ventilation | 2277 Harbor Bay Parkway, Alameda, CA 94502 | 888.880.VENT

JAN15.0101

DESIGNER:  
ROBERT BRUNNER



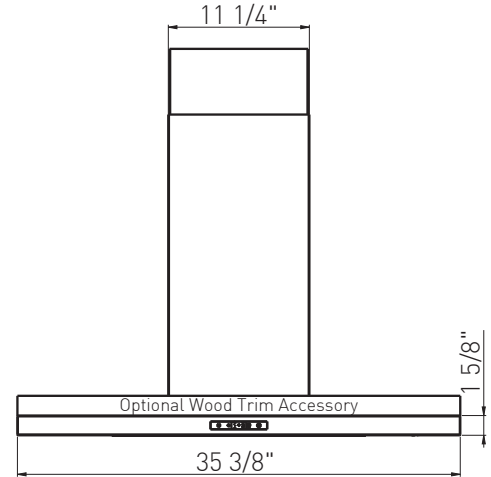
Shown without Wood Trim



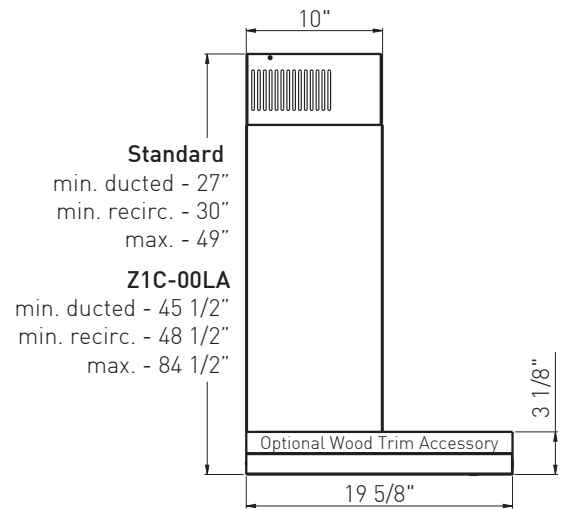
Shown with optional Wood Trim in Charcoal



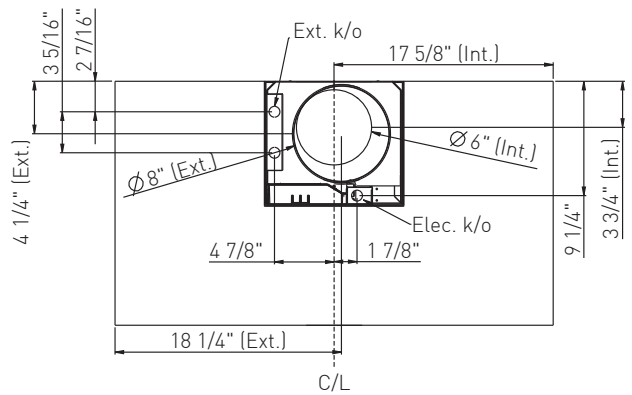
Wireless Remote Control



Front



Side



Top