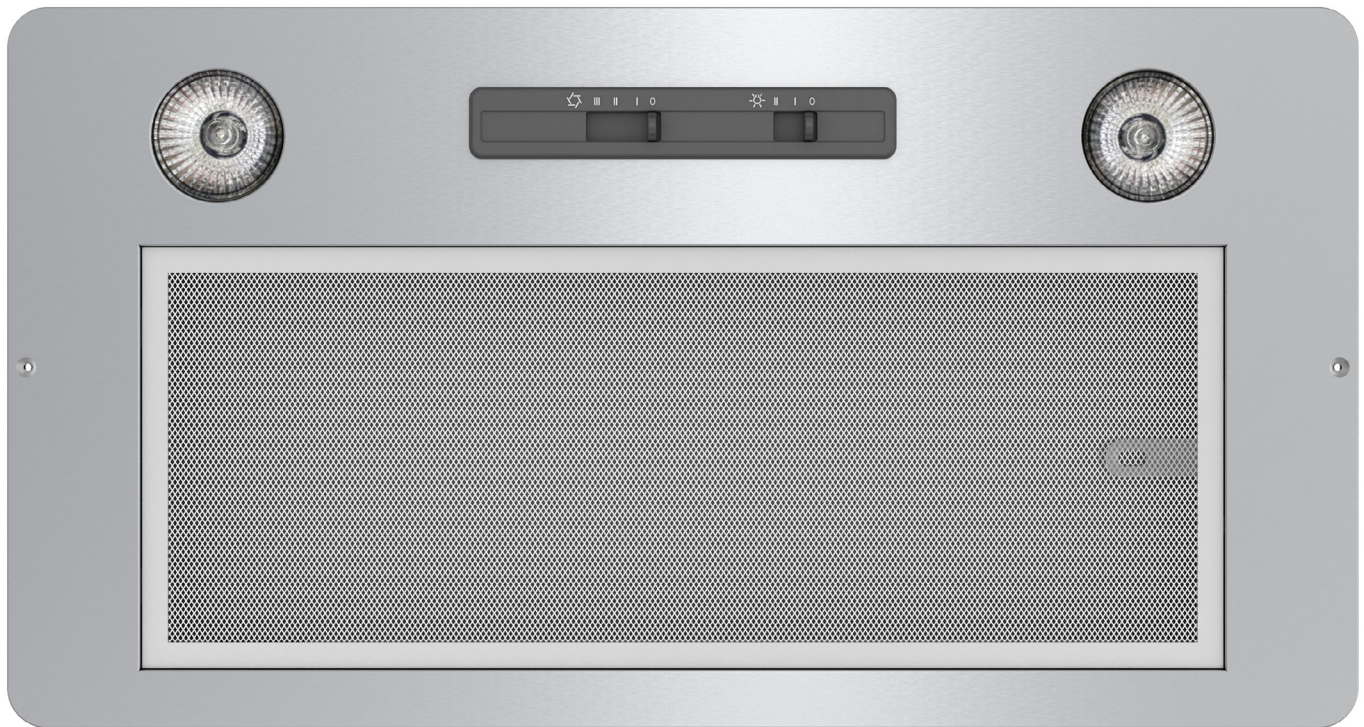


TORNADO MINI power pack

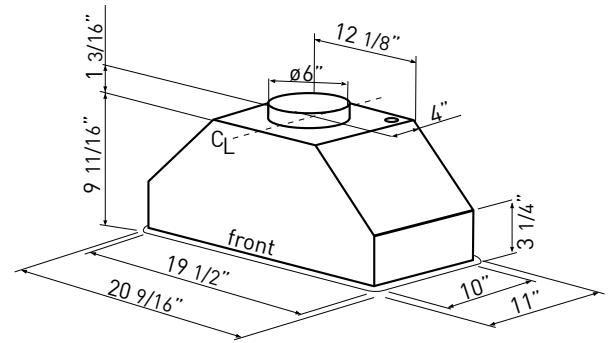
The Tornado Mini power pack was designed with cost efficiency and versatility in mind. Tornado Mini's small footprint fits under a standard 12" depth cabinet or choose one of our optional adjustable-depth stainless steel liners to accommodate custom hood enclosures from 17-1/8" to 20-1/2" deep. Features include dual level halogen lights, an ultra-quiet blower and a recirculating option for ductless installations.

MODEL	SIZE	INTERNAL BLOWER	
		Min.-Max. CFM	Min.-Max. Sones
AK8400AS	20"	180 - 290	1.3 - 3.2



TORNADO MINI | POWER

SIZE	
AK8400AS	20-9/16"
PERFORMANCE	
INTERNAL, MIN.-MAX. BLOWER CFM	180 - 290
INTERNAL, MIN.-MAX. SONES	1.3 - 3.2
COLOR	
STAINLESS STEEL	SS
FEATURES	
CONTROLS	Mechanical Slide
SPEED LEVELS	3
LIGHTING	Halogen, 35W x 2
DUAL LEVEL LIGHTING	Yes
FILTERS	Aluminum Mesh
RECIRCULATING OPTION	Yes
DUCT SPECIFICATIONS	
VERTICAL - INTERNAL	6" Round
HORIZONTAL - INTERNAL	NA
AC POWER	120V, 60Hz at Max. 1.2A
OPTIONAL ACCESSORIES	
30" LINER (17-1/8" - 20-1/2" DEPTH)	AK0840AS
36" LINER (17-1/8" - 20-1/2" DEPTH)	AK0846AS
RECIRCULATING KIT	ZRC-8400A
MOUNTING HEIGHT*	26" - 34"
WARRANTY	3 Years Parts, 1 Year Labor



Cabinet Bottom Cut-Out Size (W x D): 19 3/4" x 10 1/4".

*Mounting height refers to distance between top of a 36" tall cooking surface and bottom of custom hood.
Specifications subject to change, check zephyronline.com for up to date information.