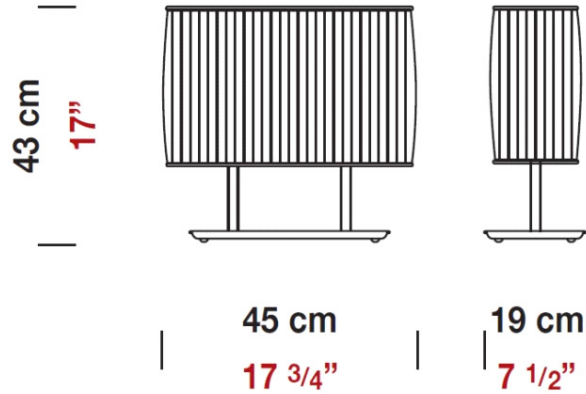
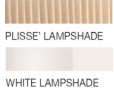


Date: _____

Project: _____

Fixture Type: _____

Specifier/Rep: _____



Certified by  for North American Standard

APPLICATION:

Portable

CONSTRUCTION:

Fixture Material:

Not available

Fixture Finish:

Metalic Gray

Available Finish/Size/Lamping Options

Options Available

Component Requirement:

Complete Unit, no component required

ELECTRICAL:

Lamp Category: Incandescent

Power Supply:

Not available

Voltage: 120

(277v or 347v available upon request)

Emergency:

Not available

IP RATING:

IP20

OPTICS:

Diffusor Material:

Pleated Fabric Shade

Diffusor Finish:

Ivory

Reflector: Not available

Efficiency:

Not available

NOTES:



Date: _____

Project: _____

Fixture Type: _____

Specifier/Rep: _____

Available Sizing/Lamp/Finish Options

Model No	Fixture - Diffuser	Details
D8-4052	Metalic Gray - Ivory	L: 17 3/4" / 45.1 cm W: 4" / 10 cm H: 17" / 43.2 cm, One A19, Max. 150W with E26 medium base, Voltage:
D8-4052F113	Metalic Gray - Ivory	L: 17 3/4" / 45.1 cm W: 4" / 10 cm H: 17" / 43.2 cm, One T4, Max. 13W with G24q1 base, Voltage: 120
D8-4052F118	Metalic Gray - Ivory	L: 17 3/4" / 45.1 cm W: 4" / 10 cm H: 17" / 43.2 cm, One T4, Max. 18W with G24q2 base, Voltage: 120
D8-4052F126	Metalic Gray - Ivory	L: 17 3/4" / 45.1 cm W: 4" / 10 cm H: 17" / 43.2 cm, One T4, Max. 26W with G24q3 base, Voltage: 120