

ODILE WALL


Project Name: _____

Fixture Type: _____

Product Code: D9-3008

Style: WALL

Diffusers: Frost White Glass

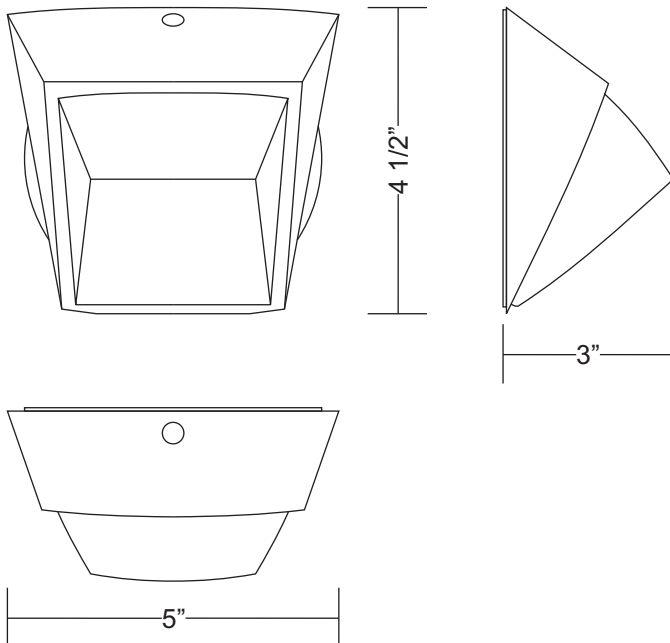
Finish: Brushed Aluminum

Lamp: 1 x 40W G9

Voltage: 120V

Dimensions: W. 5" x Ht. 4 1/2" x Ext. 3"

 Approval: Approved by  for North American Standards.

Dimensions

ADA COMPLIANT

Notes: _____