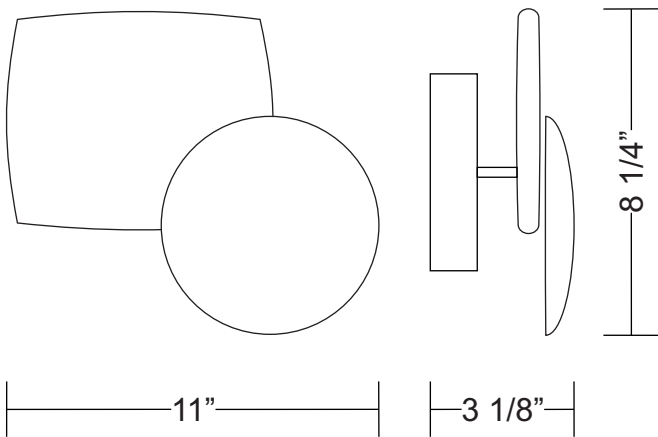


AFEF WALL



Dimensions



ADA COMPLIANT

Project Name: _____

Fixture Type: _____

Product Code: D8-3126

Style: WALL

Diffusers: White and Black Ceramic

Finish: Metallic Gray

Lamp: 2 x 75W G9

Voltage: 120V

Dimensions: L. 11" x Ht. 8 1/4" x Ext. 3 1/8"

Approval: Approved by  for North American Standards.

Notes: _____
