

INSTALLATION AND SAFETY INSTRUCTIONS

FOR YOUR SAFETY WARNING

BE SURE THE ELECTRICITY TO THE WIRES YOU ARE WORKING ON IS SHUT OFF; EITHER THE FUSE IS REMOVED OR THE CIRCUIT BREAKER IS SHUT OFF. Be sure to follow the steps in the order given. Under no circumstances should a fixture be hung on house electrical wires, nor should a swag type fixture be installed on a ceiling which contains a radiant type heating system. Read instructions carefully. If you are unclear as to how to proceed, consult a qualified electrician. NOTE: Proper wiring is essential for the safe operation of this fixture

(Refer to Figure 1, 2, 3 on page 2)The weight of this fixture will require a means of support independent of the OUTLET BOX. This fixture must be supported by 4/8-18 NPSM NIPPLE(supplied) The NIPPLE should be positioned so that 3/4" protrudes into the OUTLET BOX cavity. Note:the This fixture is provided with a Safety Cable. The Safety Cable provides a back up system the fixtures frame, FIXTURE SAFETY CABLE must be attached to a structural member or bridging member of sufficient strength to support the fixture weight.A clearance hole, must be drilled on the inside top center of the OUTLET BOX. Please refer to Figure 2,page 2 for detailed illustration. We recommend the consultation of a licensed electrician or contractor due to the complexity of this installation

FIXTURE ASSEMBLY

Carefully remove the fixture from the carton and check that all parts are included as shown in FIGURE 1. Be careful not to misplace any of the screws or parts, which are needed to install this fixture.

INSTALLATION

IMPORTANT: Do not attach fixture directly to outlet box.

STEP 1: Assemble the MOUNTING THREAD NIPPLE (E) with MOUNTING STRAP(A), HEX NUT(C), WASHER (E) and CANOPY CHAIN LOOP (G) together, then, make the FIXTURE WIRES (K) and SAFETY CABLE (K1) passing through CANOPY CHAIN LOOP(G), MOUNTING THREAD NIPPLE(E), pull the fixture wires (K) and the safety cable (K1) out from the MOUNTING THREAD NIPPLE(E). Proceed to insert the FIXTURE SAFETY CABLE (K1) into the OUTLET BOX CENTER HOLE up to the BUILDING STRUCTURAL MEMBER,

STEP 2: Secure the MOUNTING STRAP ASSEMBLY on the OUTLET BOX with BOX SCREWS.

GROUNDING

STEP 1: Insert the green grounding screw into the hole with two raised dimples on the mounting bar. Wrap the ground wire from the fixture (if supplied) around the green grounding screw, then connect it to ground wire from the outlet box (if not fixed on the outlet box) using a wire connector (not supplied). If ground wire from the fixture is not supplied, wrap the ground wire (if not fixed on the outlet box) from the outlet box around the green grounding screw and tighten it.

NEVER CONNECT GROUND WIRE TO BLACK OR WHITE POWER SUPPLY WIRES.

STEP 2: Take note of the color of the wire(s) on your fixture. Identify which group your fixture wire(s) falls into and connect the wires according to the directions below:

GROUP A: Connect to BLACK house Wire	GROUP B: Connect to WHITE house Wire
BLACK	WHITE
*PARALLEL WIRE (Round&Smooth)	*PARALLEL WIRE (Square&ridged)
WHITE OR GREY WITH TRACER	WHITE OR GREY WITHOUT TRACER
BROWN GOLD OR BLACK WITHOUT TRACER	BROWN GOLD OR BLACK WITH TRACER

*NOTE:When parallel wire (SPT-1 & SPT-2) is used, the tracer wire is square shaped or ridged and the less tracer wire is round in shape or smooth (seen best when viewed from wire end.)

STEP 3:Take your fixture wire(s) from group A and place evenly against the black wire from the outlet box. Do NOT twist wires together before using wire connectors.

STEP 4:Fit a wire connector (not supplied) over the wires and screw the connector clockwise until you feel firmness

STEP 5:Try gently to pull the connector off the wires. If you can pull the connector off, carefully re-do steps 3 and 4 as above, and check again for a firm connection.

STEP 6: Connect the fixture wire from group B to the white wire from the outlet box in the same manner. Make sure no bare wires can be seen outside wire connectors.

SAFETY CABLE

It is essential that the Safety Cable be properly installed. The Cable must be secured to a STRUCTURAL MEMBER of the building, and not to the outlet box. The Cable must be terminated with SLEEVE OR CABLE LOCK NUT, specifically, sized for the Cable per the following steps:

SLEEVE ASSEMBLY

STEP 1: Insert enough cable through one side of the sleeve to form a large loop.

STEP 2: Attach the safety Cable from fixture to the Structural Member of building.

STEP 3: Turn back the cut end and inserting into opposite side of sleeve, Use two sleeves if desired.

STEP 4: Pull back on cable until desired loop size is obtained. It is recommended to use thimble in loop.

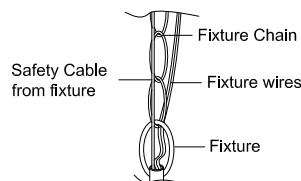
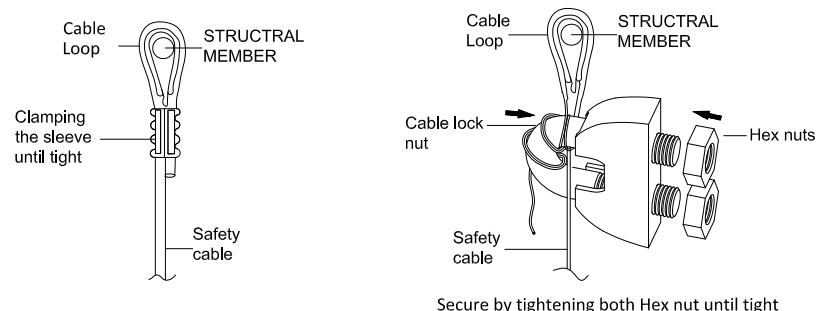
STEP 5: Allow 3/8" of cable cut end to extend beyond end of sleeve. Clamp the sleeve tight on cable with tool, Make sure this does not slip back into sleeve while swaging

CABLE LOCK NUT ASSEMBLY

STEP 1: Attach the safety Cable from fixture to the Structural Member of building directly.

STEP 2: Pull back on cable until desired loop size is obtained. It is recommended to use thimble in loop.

STEP 3: Wrap the safety end on the cable lock nut as many as you can, then, pull the safety cable end tight, lock the hex nuts until tight. Make sure this does not slip back into sleeve while swaging



FINAL ASSEMBLY

STEP 1: After wires are connected and SAFETY Cable installation, tuck the wires carefully inside outlet box. Raise canopy (F) allowing for CANOPY CHAIN LOOP (G) to protrude through the holes on canopy (F), and secure with screw collar ring (L).

STEP 2: Feed the wires from Lamp Holder (T) and through Pipe (R), then raise the power plug insert the socket (Q), connect the Pipe to the Lamp Holder's threaded nipple and lamp body's coupling.

STEP 3: Install bulbs (S) to socket (**Bulb not include**)

STEP 4: Raise the Glass Sheet (N,O,P) to Frame side and use Handle Screw to secure Glass Sheet as well as plastic Shim onto Frame. **Note: handle screws do not lock too tightly!**

CLEANING

To clean, wipe fixture with a soft cloth. Clean glass with a mild soap. Do not use abrasive materials such as scouring pads or powders, steel wool or abrasive paper

ORDERING PARTS

Keep this sheet for future reference, and in case you need to order replacement parts. Be sure to use exact wording from illustration when ordering parts.

Line art shown may not exactly match the fixture enclosed.

However, the installations do apply to this fixture.

ITEM NO: 1943-36-XX

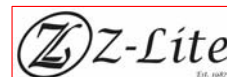


FIGURE 1.

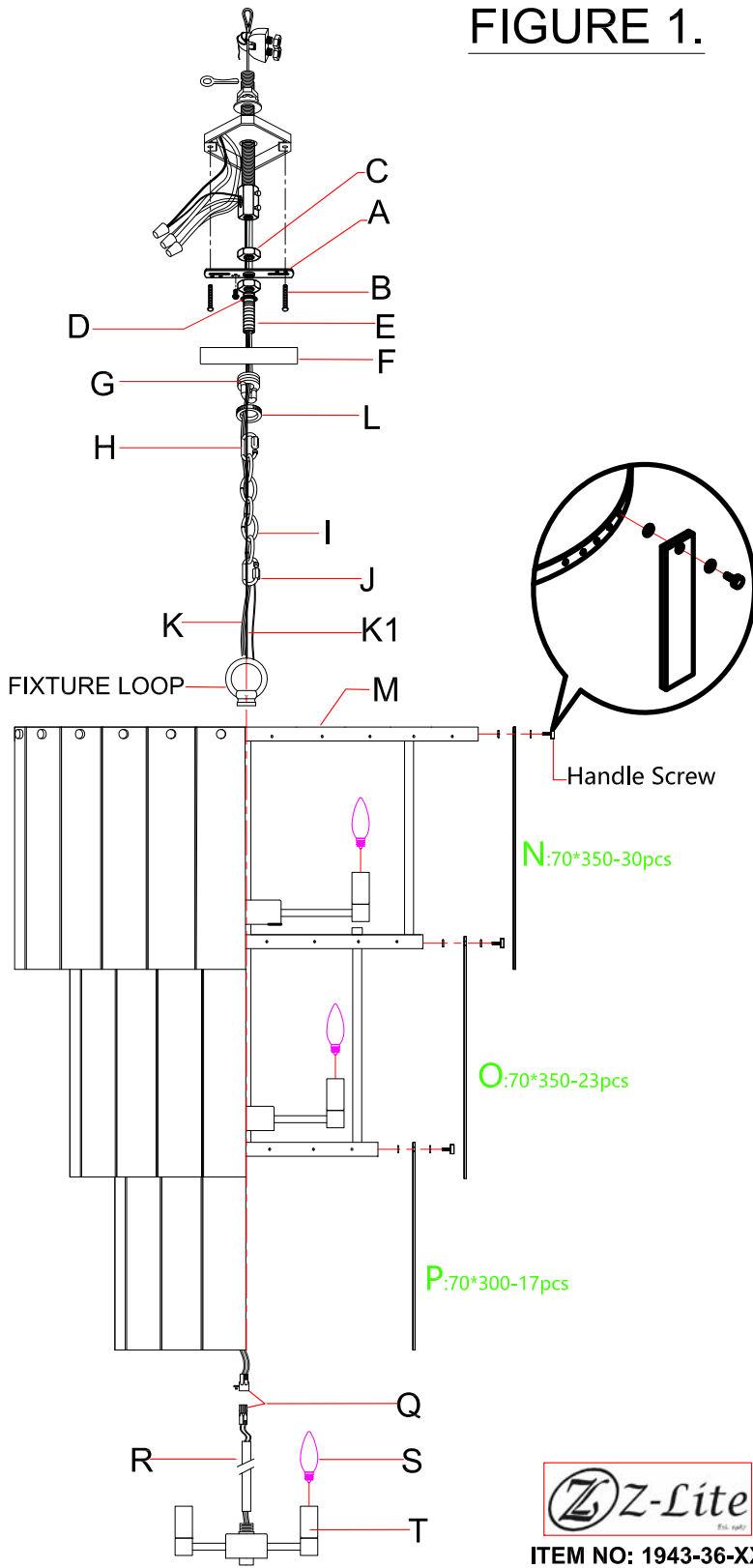


FIGURE 2.

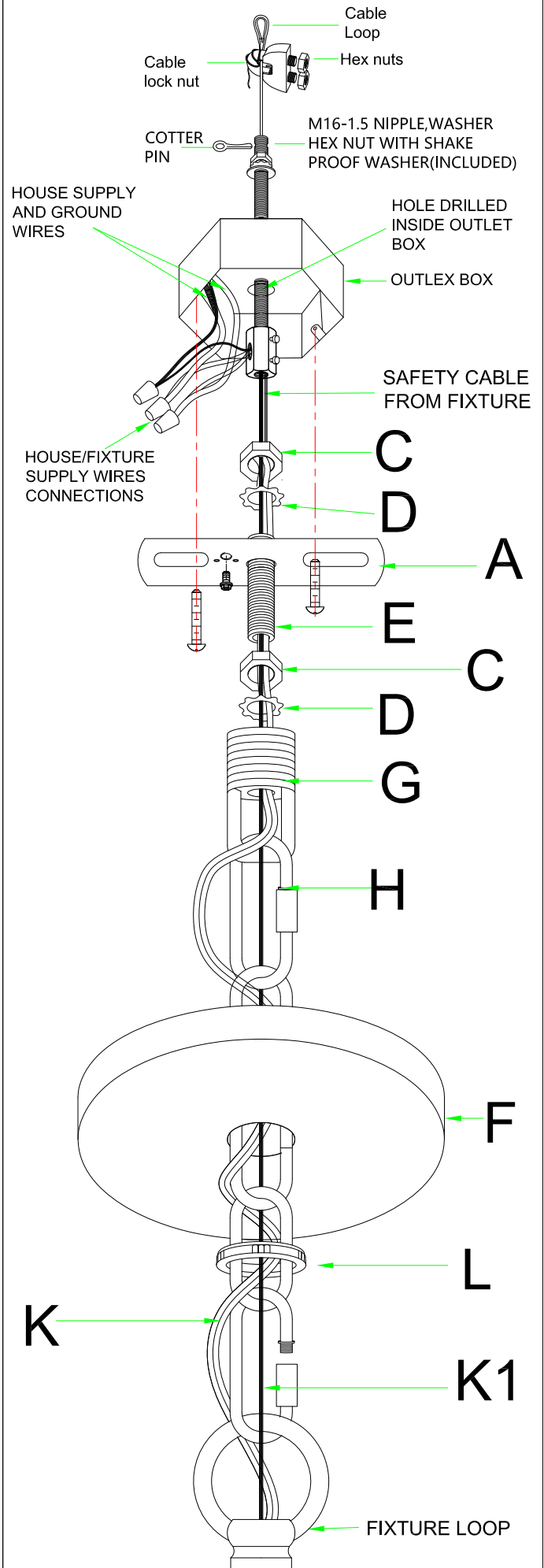


FIGURE 3: CRAWL SPACE/ATTIC CUT-AWAY

