

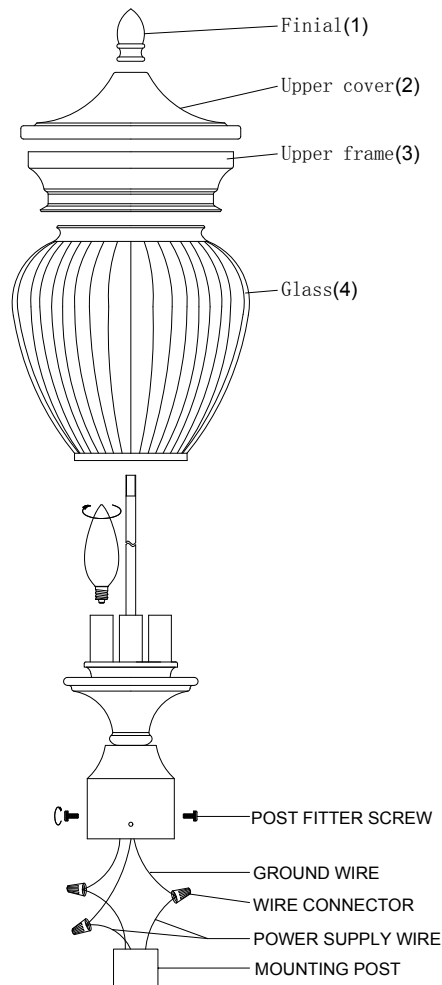
FOR YOUR SAFETY WARNING: BE SURE THE ELECTRICITY TO THE WIRES YOU ARE WORKING ON IS SHUT OFF; EITHER THE FUSE IS REMOVED OR THE CIRCUIT BREAKER IS SHUT OFF.

GENERAL You don't need special tools to install this fixture. Be sure to follow the steps in the order given. Under no circumstances should a fixture be hung on house electrical wires, nor should a swag type fixture be installed on a ceiling which contains a radiant type heating system. Read instructions carefully. If you are unclear as to how to proceed, consult a qualified electrician.

NOTE: Proper wiring is essential for the safe operation of this fixture.

ASSEMBLY INSTRUCTIONS

5016PHMR & 5016PHBR



READ & SAVE

INSTALLATION & OPERATION INSTRUCTIONS

TOOLS & MATERIALS REQUIRED

Screwdriver	Wire Cutters
Adjustable Wrench	Wiring Supplies

CAUTION

Prior to assembly, refer to ELECTRICAL CONNECTIONS section. If you do not have electrical wiring experience, refer to a do-it-yourself wiring handbook or have your fixture installed by a qualified licensed electrician.

GENERAL

1. Be sure to read these instructions and review the diagrams thoroughly before beginning.
2. Electrical connections must be in accordance with local codes, ordinances, or the National Electric Code. If you are unfamiliar with methods of installing electrical wiring, secure the services of a qualified licensed electrician.
3. Before starting the installation, disconnect the power by turning off the circuit breaker or by removing appropriate fuse at fuse box. Turning the power off at the light switch is not sufficient to prevent electrical shock.

PREPARE THE FIXTURE

NOTE: First turn off electricity

FINAL ASSEMBLY

1. Pull the black, white and ground wires out of mounting post.
2. While supporting the fixture, connect electrical wires. If your post has a ground wire (green or bare copper), connect the fixture ground wire to it. If not, consult your electrician for proper grounding.

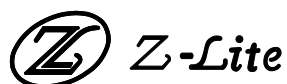
ELECTRICAL CONNECTIONS 120V~, 60Hz

Connect white wire(s) from fixture to white neutral wire from supply circuit.

Connect black wire(s) to black hot wire from supply circuit. Connect green wire to green or bare wire or grounding screw on mounting bracket. In all cases grounding conductor to earth must be used. Use UL/CSA Listed wire connects suitable for the size, type, and number of conductors. No loose strands or loose wires should be present. Secure wire connectors with UL/CSA Listed electrical tape.

After wires are connected, tuck them carefully inside the post cup.

3. Align the lantern with mounting post and secure with screws.
4. Fixture install & glass replacement: Loosen the finial(1), then take away the upper cover(2) and upper frame(3), install the glass(4), then install the upper cover(2) and upper frame(3) by tighten the finial(1).
5. Installation is complete. Turn on the power at the circuit breaker or fuse box. Turn the light switch on to activate the fixture.



Warning: Risk of fire

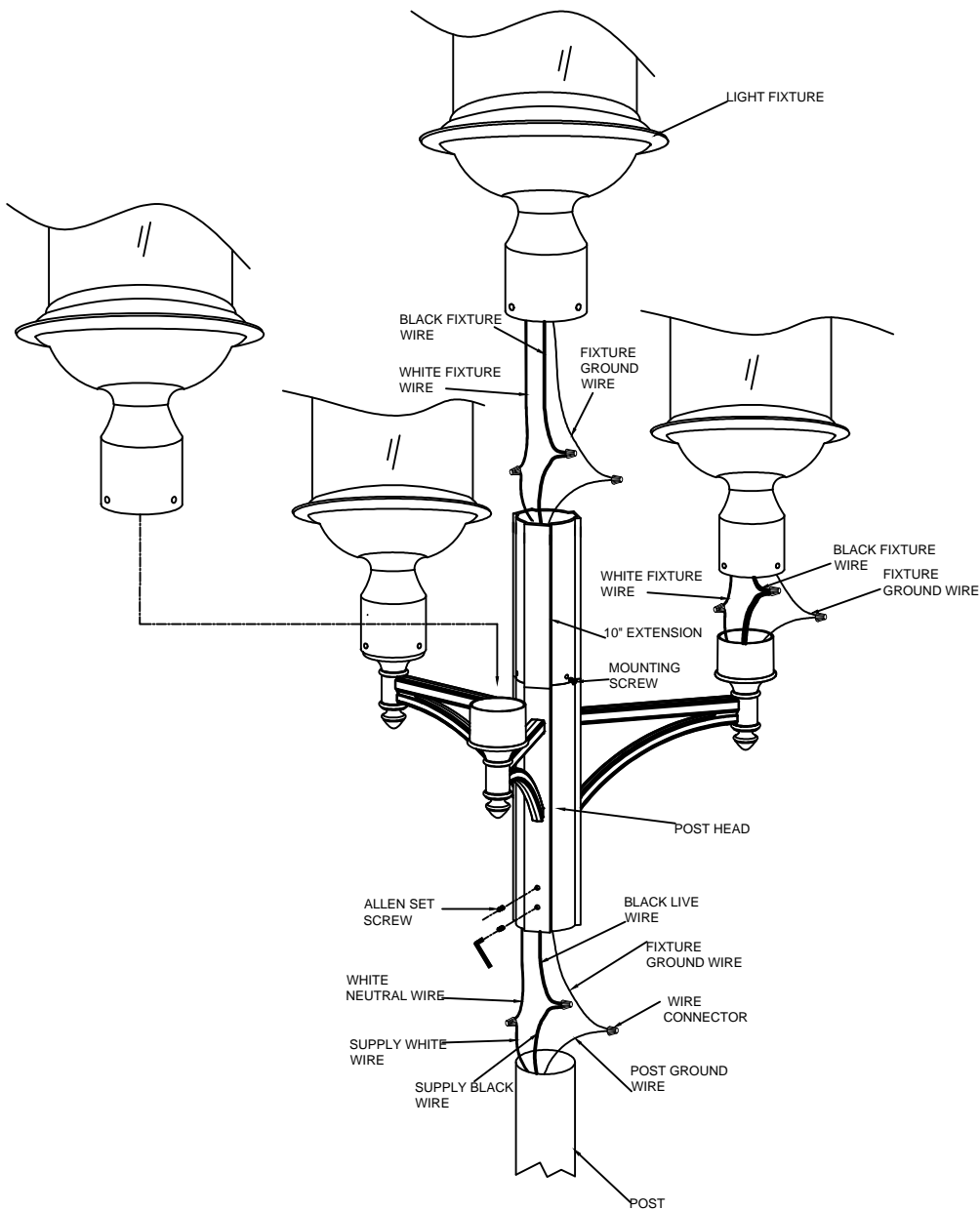
Before you do the installation, thoroughly read the instruction sheet. If you do not have sufficient electrical wiring experience, please consult a qualified licensed electrician.

All electrical connections must be in accordance with Local and National electrical code (N.E.C) standard

WIRING INSTRUCTION

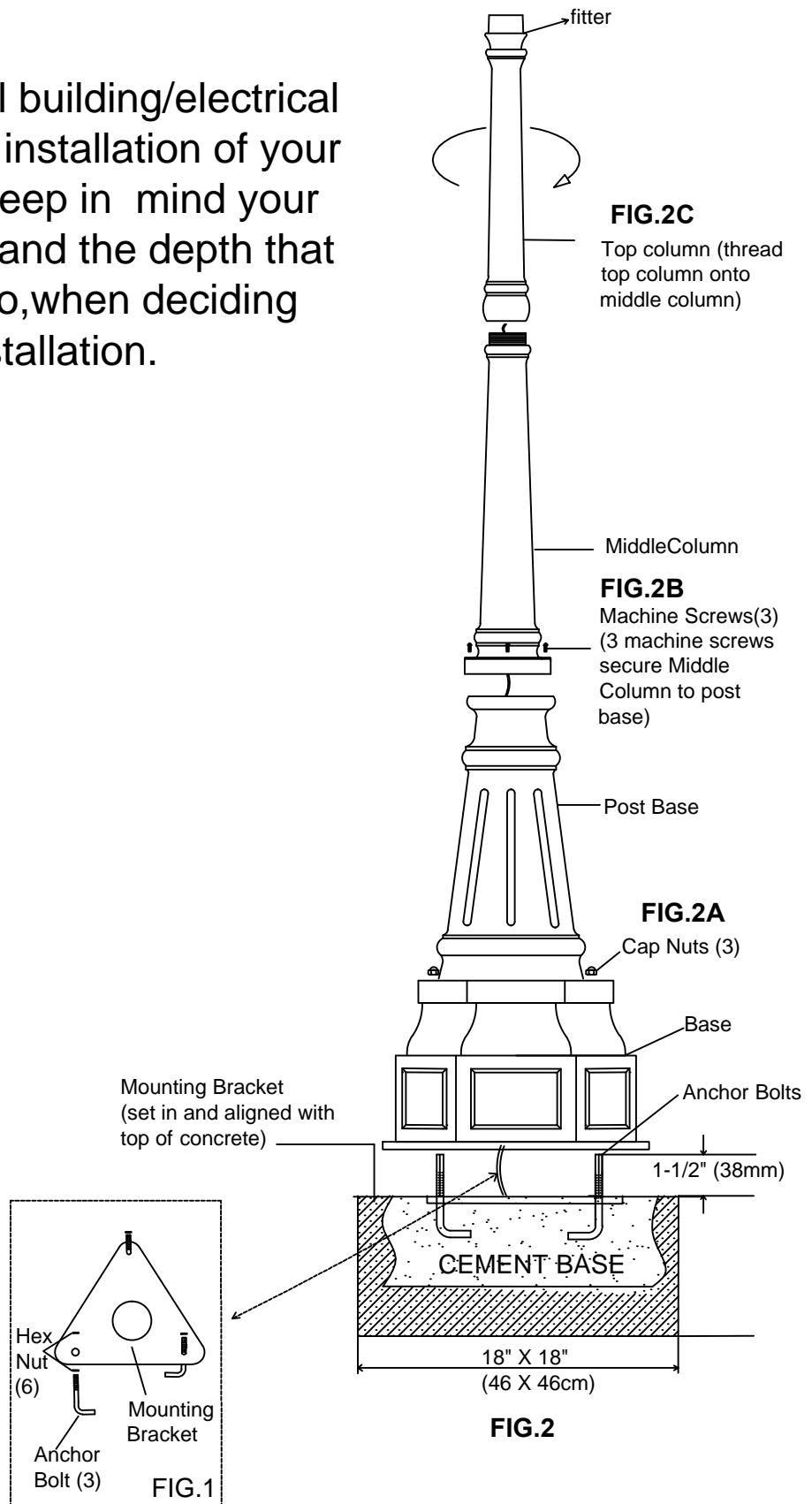
WARNING: DISCONNECT POWER AT THE MAIN ELECTRICAL PANEL BEFORE INSTALLATION

1. Expose the supply wires from the post for wiring connections
2. Connect the ground wire from the post head to the post ground wire using the wire connector
3. Connect the white wire/Ribbed wire from the post head to the supply white wire from the post using the wire connector.
4. Connect the Black wire/smooth wire from the post head to the supply black wire from the post using the wire connector.
5. After all connections are secured, carefully, tuck wires into the post no loose strands, then, slide down the post head over on the post top secured with Allen screws
6. remove the top cap, assemble the 10" extension on the center hub top, tighten the mounting screws to hold the 10" extension securely in place.
6. The post head installation is completed, then, do the installation of light fixture properly on the arm of post head



501-4 BK

Please observe local building/electrical codes regarding the installation of your post fixture. Please keep in mind your geographic location and the depth that the ground freezes to, when deciding the depth of your installation.



564P-BK/ORB