

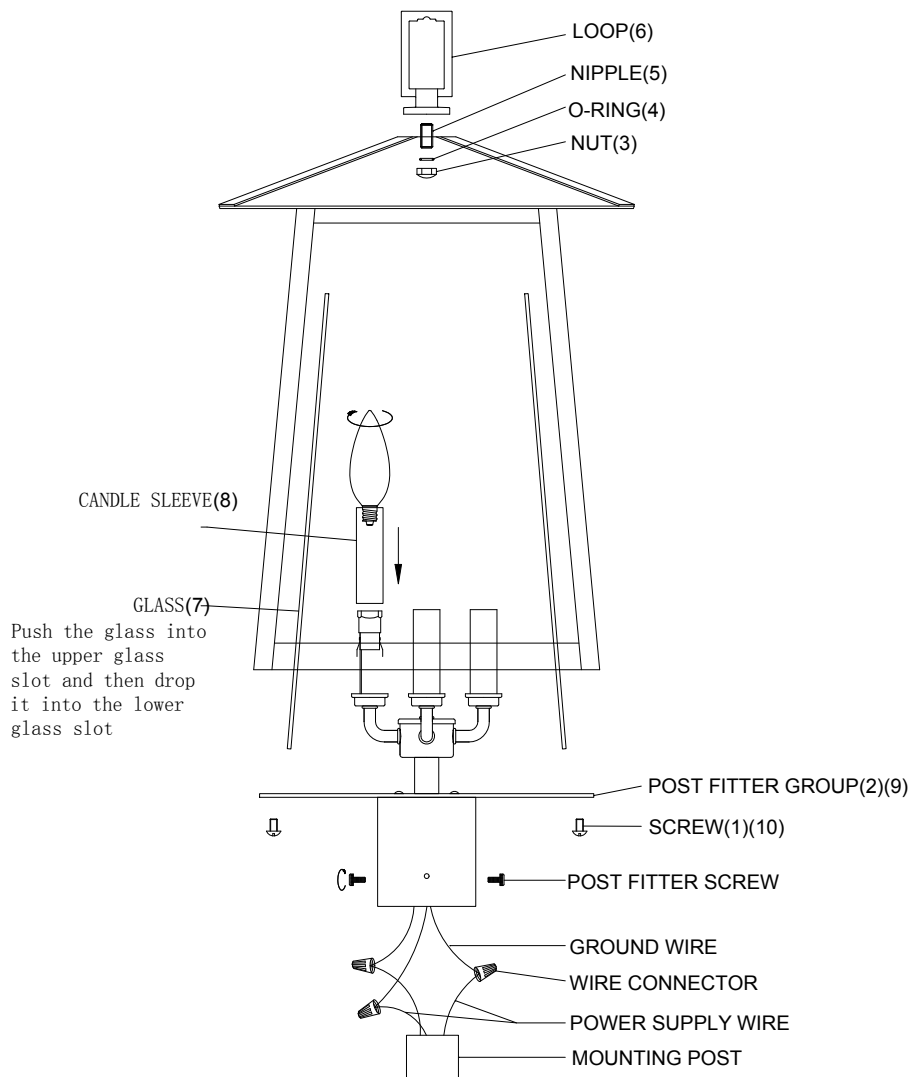
FOR YOUR SAFETY WARNING: BE SURE THE ELECTRICITY TO THE WIRES YOU ARE WORKING ON IS SHUT OFF; EITHER THE FUSE IS REMOVED OR THE CIRCUIT BREAKER IS SHUT OFF.

GENERAL You don't need special tools to install this fixture. Be sure to follow the steps in the order given. Under no circumstances should a fixture be hung on house electrical wires, nor should a swag type fixture be installed on a ceiling which contains a radiant type heating system. Read instructions carefully. If you are unclear as to how to proceed, consult a qualified electrician.

NOTE: Proper wiring is essential for the safe operation of this fixture.

ASSEMBLY INSTRUCTIONS

5015PHB & 5015PHXL & 5015PHXXL



Line art shown may not exactly match the fixture enclosed. However, the installations do apply to this fixture.

READ & SAVE

INSTALLATION & OPERATION INSTRUCTIONS

TOOLS & MATERIALS REQUIRED

Screwdriver Wire Cutters
Adjustable Wrench Wiring Supplies

CAUTION

Prior to assembly, refer to ELECTRICAL CONNECTIONS section. If you do not have electrical wiring experience, refer to a do-it-yourself wiring handbook or have your

fixture installed by a qualified licensed electrician.

GENERAL

1. Be sure to read these instructions and review the diagrams thoroughly before beginning.
2. Electrical connections must be in accordance with local codes, ordinances, or the National Electric Code. If you are unfamiliar with methods of installing electrical wiring, secure the services of a qualified licensed electrician.
3. Before starting the installation, disconnect the power by turning off the circuit breaker or by removing appropriate fuse at fuse box. Turning the power off at the light switch is not sufficient to prevent electrical shock.

PREPARE THE FIXTURE

NOTE: First turn off electricity

FINAL ASSEMBLY

1. Pull the black, white and ground wires out of mounting post.
2. While supporting the fixture, connect electrical wires. If your post has a ground wire (green or bare copper), connect the fixture ground wire to it. If not, consult your electrician for proper grounding.

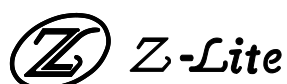
ELECTRICAL CONNECTIONS 120V~, 60Hz

Connect white wire(s) from fixture to white neutral wire from supply circuit.

Connect black wire(s) to black hot wire from supply circuit. Connect green wire to green or bare wire or grounding screw on mounting bracket. In all cases grounding conductor to earth must be used. Use UL/CSA Listed wire connects suitable for the size, type, and number of conductors. No loose strands or loose wires should be present. Secure wire connectors with UL/CSA Listed electrical tape.

After wires are connected, tuck them carefully inside the post cup.

3. Align the lantern with mounting post and secure with screws.
4. Fixture install & glass replacement: Unscrew the screws(1), take away the post fitter group(2), the loop(6) is fastened by a nipple(5) using a nut(3) and an o-ring(4), then push the glass(7) into the upper glass slot and then drop it into the lower glass slot (Be careful of glass cutting hands). Finally put the candle sleeve(8) to the lampholder and secure the screws(1).
5. Installation is complete. Turn on the power at the circuit breaker or fuse box. Turn the light switch on to activate the fixture.



INSTALLATION INSTRUCTIONS

Model 5010P-BK

FOR YOUR SAFETY WARNING: BE SURE THE ELECTRICITY TO THE WIRES YOU ARE WORKING ON IS SHUT OFF; EITHER THE FUSE IS REMOVED OR THE CIRCUIT BREAKER IS SHUT OFF.

SAFETY ALERT!

FIND THE LOCATION OF ANY UNDERGROUND PLUMBING, POWER LINES, AND OTHER LINES BEFORE DIGGING.

1. Dig a hole 48"-50" inches in diameter and to the required depth (Approx. 48"-51" deep). Allow extra depth for gravel.
2. After consulting the local codes, dig a trench to the required depth from the post hole to the power source.
3. Shovel several inches of gravel in the bottom of the hole for drainage Purposes.
4. Insert the underground electrical cable as required from the power source into the inlet hole near the base of the post and continue to feed the cable to the top of the post, allowing sufficient wire leads for splicing purposes.
5. Twist 24" pole (A) with 40" pole(B1) by one pcs of connector (Fig 1)
6. It is recommended that clear silicone sealant be spread evenly on the threads of the bottom pole prior to securing into the coupler.
7. Place the Pole with 48" into the hole at the desired location and stabilize to vertical level position (Fig 2.)
8. Secure another 40" Pole (B2) with B1 by connector (Fig 3.)
9. Put Base (D) from top of Pole (B2), then secure by mounting screws(E) (Fig 4)
10. Let 5" Tube (F) from top of Pole (B2) to Base(D), secure mounting screws(G) by wrench (H) (Fig 5)
11. Twist 40" Pole (C) with B2 by connector (Fig 6)
12. Making sure that the bottom of the pole is imbedded in the gravel, pour concrete to just below the wire access hole.

Fig.1

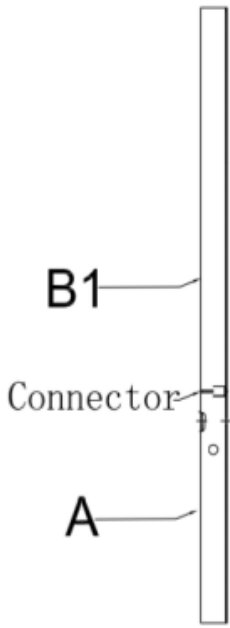


Fig.2

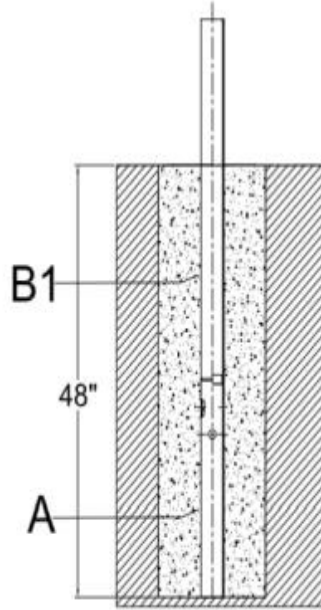


Fig.3

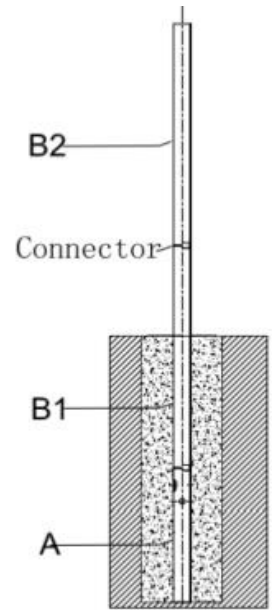


Fig.4

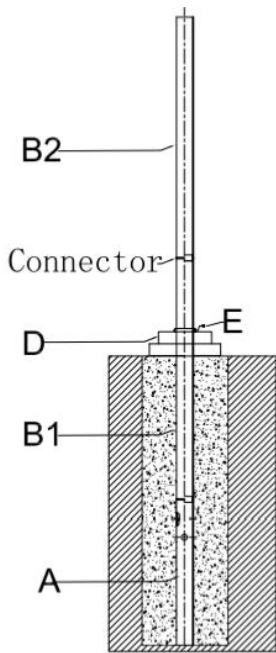


Fig.5

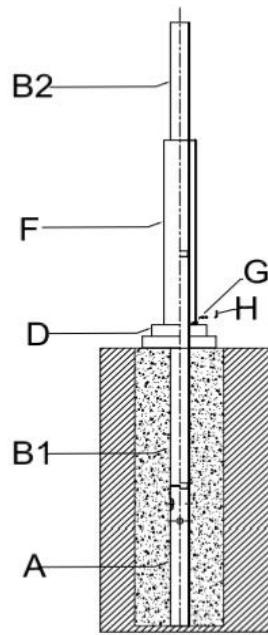


Fig.6

