

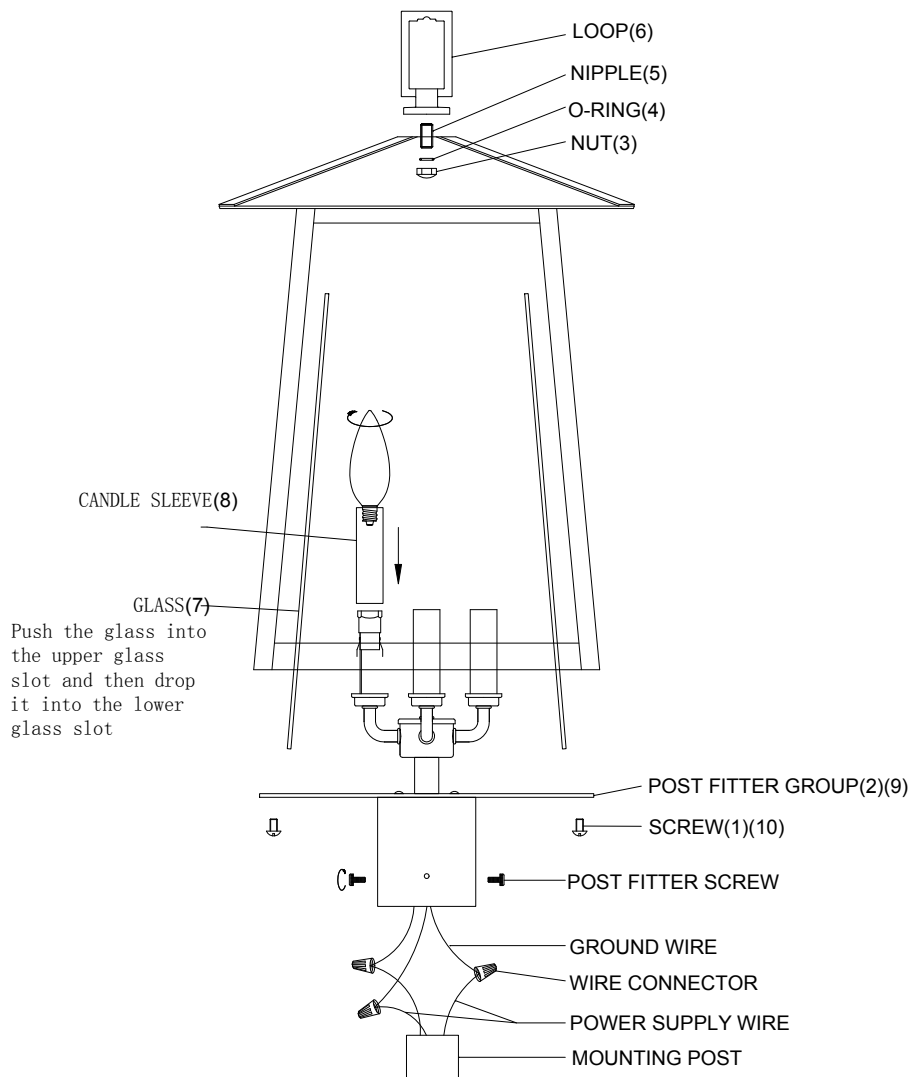
**FOR YOUR SAFETY WARNING: BE SURE THE ELECTRICITY TO THE WIRES YOU ARE WORKING ON IS SHUT OFF; EITHER THE FUSE IS REMOVED OR THE CIRCUIT BREAKER IS SHUT OFF.**

**GENERAL** You don't need special tools to install this fixture. Be sure to follow the steps in the order given. Under no circumstances should a fixture be hung on house electrical wires, nor should a swag type fixture be installed on a ceiling which contains a radiant type heating system. Read instructions carefully. If you are unclear as to how to proceed, consult a qualified electrician.

**NOTE:** Proper wiring is essential for the safe operation of this fixture.

## ASSEMBLY INSTRUCTIONS

5015PHB & 5015PHXL & 5015PHXXL



Line art shown may not exactly match the fixture enclosed. However, the installations do apply to this fixture.

### READ & SAVE

### INSTALLATION & OPERATION INSTRUCTIONS

### TOOLS & MATERIALS REQUIRED

Screwdriver                      Wire Cutters  
Adjustable Wrench              Wiring Supplies

### CAUTION

Prior to assembly, refer to ELECTRICAL CONNECTIONS section. If you do not have electrical wiring experience, refer to a do-it-yourself wiring handbook or have your

fixture installed by a qualified licensed electrician.

## **GENERAL**

1. Be sure to read these instructions and review the diagrams thoroughly before beginning.
2. Electrical connections must be in accordance with local codes, ordinances, or the National Electric Code. If you are unfamiliar with methods of installing electrical wiring, secure the services of a qualified licensed electrician.
3. Before starting the installation, disconnect the power by turning off the circuit breaker or by removing appropriate fuse at fuse box. Turning the power off at the light switch is not sufficient to prevent electrical shock.

## **PREPARE THE FIXTURE**

**NOTE: First turn off electricity**

## **FINAL ASSEMBLY**

1. Pull the black, white and ground wires out of mounting post.
2. While supporting the fixture, connect electrical wires. If your post has a ground wire (green or bare copper), connect the fixture ground wire to it. If not, consult your electrician for proper grounding.

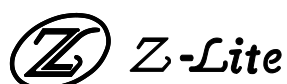
## **ELECTRICAL CONNECTIONS 120V~, 60Hz**

Connect white wire(s) from fixture to white neutral wire from supply circuit.

Connect black wire(s) to black hot wire from supply circuit. Connect green wire to green or bare wire or grounding screw on mounting bracket. In all cases grounding conductor to earth must be used. Use UL/CSA Listed wire connects suitable for the size, type, and number of conductors. No loose strands or loose wires should be present. Secure wire connectors with UL/CSA Listed electrical tape.

After wires are connected, tuck them carefully inside the post cup.

3. Align the lantern with mounting post and secure with screws.
4. Fixture install & glass replacement: Unscrew the screws(1), take away the post fitter group(2), the loop(6) is fastened by a nipple(5) using a nut(3) and an o-ring(4), then push the glass(7) into the upper glass slot and then drop it into the lower glass slot (Be careful of glass cutting hands). Finally put the candle sleeve(8) to the lampholder and secure the screws(1).
5. Installation is complete. Turn on the power at the circuit breaker or fuse box. Turn the light switch on to activate the fixture.



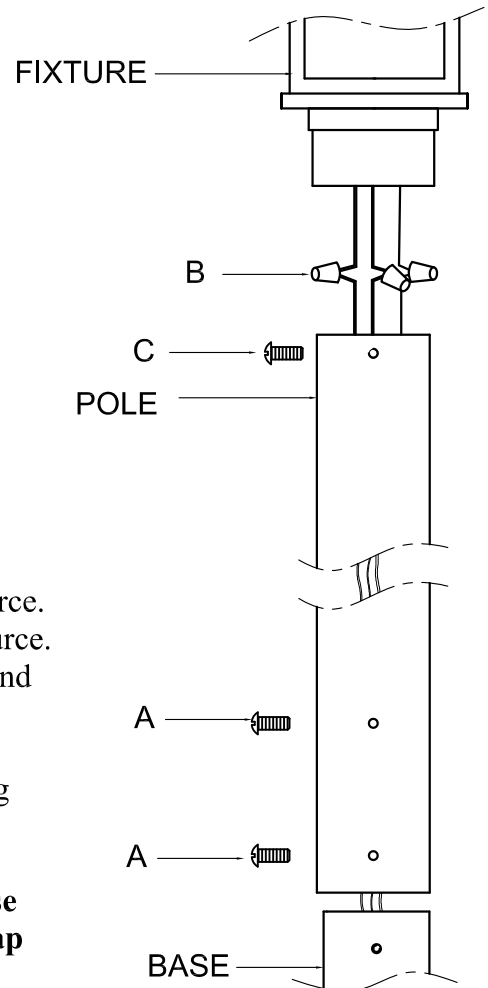
# ASSEMBLY AND INSTALLATION INSTRUCTIONS

**CAUTION: TO PREVENT POSSIBLE INJURY FROM ELECTRICAL SHOCK, POWER MUST BE TURNED OFF AT MAIN BREAKER PANEL OR FUSE BOX BEFORE INSTALLATION OF THIS ELECTRICAL DEVICE.**

## INSTALLATION STEPS:

- 1 Insert the underground electrical cable as required from the power source into the inlet hole near the base of the post and continue to feed the cable to the top of the post, allowing sufficient wire leads for splicing purposes.
- 2 Put the pole onto the base and secure with 8 stainless steel Screws (A).
- 3 Make wire connections with wire nuts:
  - a. The black wire from fixture to the black wire from power source.
  - b. The white wire from fixture to the white wire from power source.
  - c. Attach the ground wire from the fixture to the outlet box ground screw or to the green screw located on the crossbar.
4. Place the Fixture to the Post, and then secure with 4 Mounting Screws (C).

**NOTE: If you need to reduce the height of the pole, please use electric tool to cut down to the height you need, and use the tap part (included) to drill hole and make screws thread.**



# ASSEMBLY AND INSTALLATION INSTRUCTIONS

We recommend that you check your local wiring codes and consult an electrical contractor before installation.

**SAFETY ALERT!**  
**FIND THE LOCATION OF ANY UNDERGROUND PLUMBING, POWER, LINES, AND OTHER LINES BEFORE DIGGING.**

1 Anchor bolt set Installation: (Fig.2)

- a. Dig a hole 12" ~ 15" in diameter and to the required depth (Approx. 12" ~ 16" deep).
- b. Set the 2 Anchor Bolts ( E ) into the holes of the square installation plate ( D ).
- c. Pour concrete into the hole up to the level of the ground and sink the anchor set into the concrete. Make sure the top surface of the Square installation plate ( D ) is level to the ground surface, and the anchor bolts ( E ) protrude above the square installation plate ( D ) surface by 4- 1/4"

**NOTE: Make sure the concrete is solid and dry before installing the lamp post. ( Usually this takes up to 24 hours)**

2 Attached the Base to the Anchor Bolts (E), and fastern with 2 washes (B) and 2 Cap nuts (A). (Fig.1)

3 Set the entire post and lantern assembly on to the Base, and secure the lamp post using 8 stainless steel screws (C).

