

ASSEMBLY AND INSTALLATION INSTRUCTIONS

WARNING: Be sure the electricity to the wires you are working on is shut off, either the fuse is removed or the circuit breaker is shut off.

NOTE: Before installing, consult local electrical codes for wiring and grounding requirements.

Carefully remove the fixture from the carton, and check that all parts are included, as shown in figure. Be careful not to misplace any of the screws or parts which are needed for installing the fixture.

Assembly and Installation Step:

1. Unscrew and remove the screws from the cover & frame. Then loosen the glass clips at the top corners of the shelf. Place the glass into the frame carefully, and then restore the screws and clips back to secure the glass.

Note: To install the glass correctly:

- a. Attach the EVA gasket inside the kit to the middle of the narrow side glass.
- b. Slide the narrow sides of the glass downward into the frame in turn.
- c. Place the side of the bevelled glass toward to outside.

2. Make wire connections with wire nuts:

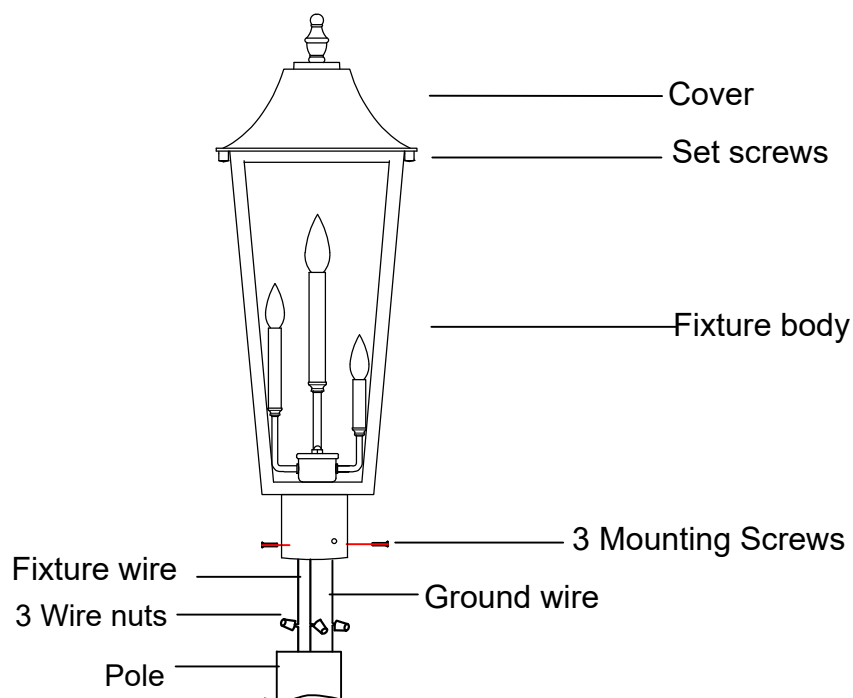
- a. The black wire from fixture to the black wire from power source.
- b. The white wire from fixture to the white wire from power source.
- c. Attach the ground wire from the fixture to the outlet box ground screw or to the green screw located on the crossbar.

3. Place the Fixture to the Post, and then secure with 3 Mounting Screws.

4. Remove the Cover by unscrew, and install bulb (not included)

5. Attach the Cover onto the Fixture body, and then secure with Screws.

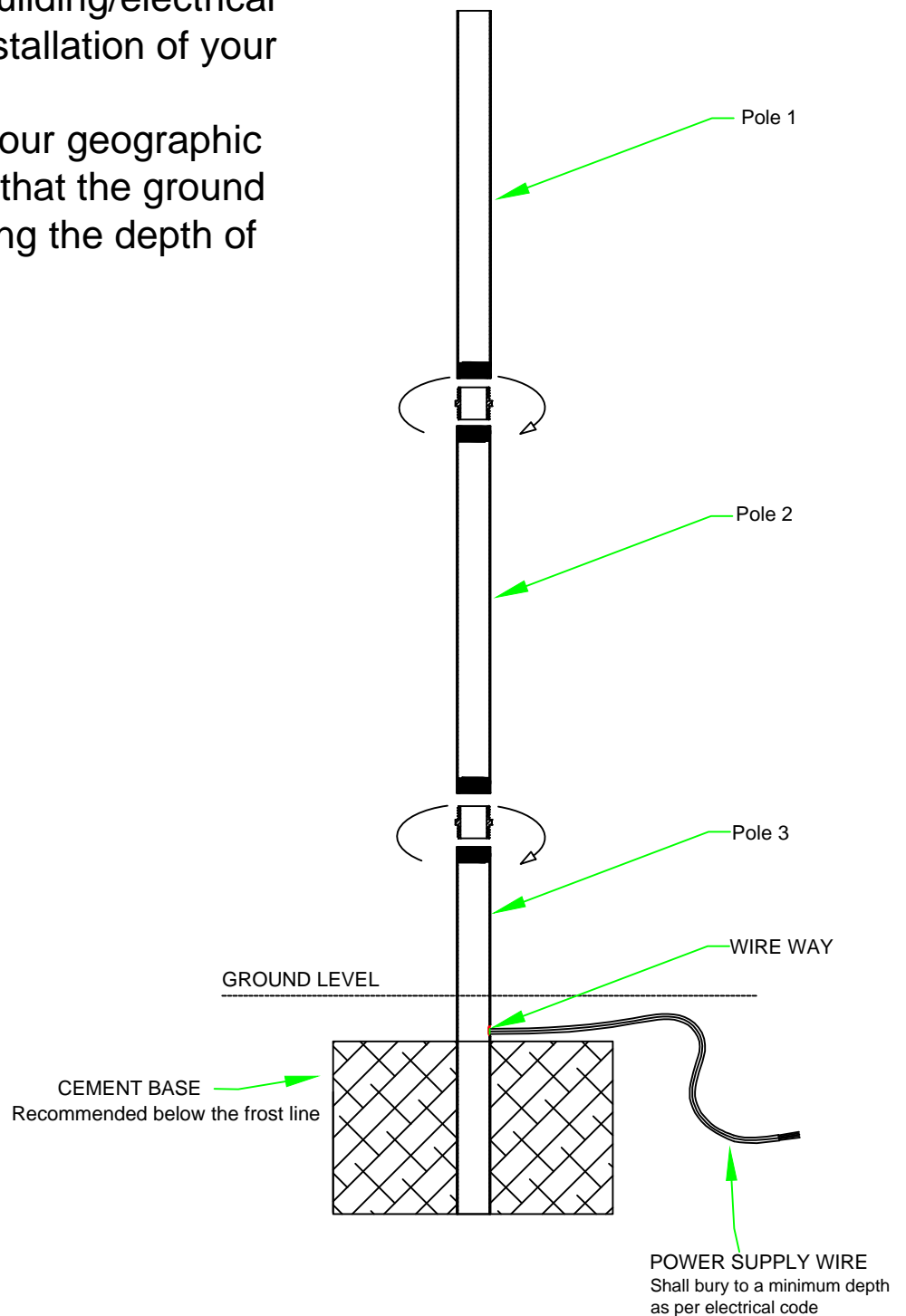
5. Turn on the power at fuse or circuit box.



5008PHBR/5008PHXLR/5008PHXLR

Please observe local building/electrical codes regarding the installation of your post fixture.

Please keep in mind your geographic location and the depth that the ground freezes to, when deciding the depth of your installation.



5009P96-BK/5009P120-BK