

INSTALLATION AND SAFETY INSTRUCTIONS

FOR YOUR SAFETY WARNING

BE SURE THE ELECTRICITY TO THE WIRES YOU ARE WORKING ON IS SHUT OFF; EITHER THE FUSE IS REMOVED OR THE CIRCUIT BREAKER IS SHUT OFF. GENERAL You don't need special tools to install this fixture. Be sure to follow the steps in the order given. Under no circumstances should a fixture be hung on house electrical wires, nor should a swag type fixture be installed on a ceiling which contains a radiant type heating system. Read instructions carefully. If you are unclear as to how to proceed, consult a qualified electrician. NOTE: Proper wiring is essential for the safe operation of this fixture.

FIXTURE ASSEMBLY

Carefully removed the fixture from the carton and check that all parts are included as shown in figure. Be careful not to misplace any of the screws or parts, which are needed to install this fixture.

INSTALLATION

IMPORTANT: Do not attach fixture directly to outlet box.

STEP 1: Secure mounting plate (K) to outlet box with outlet box screws (J).

STEP 2: Connect the quick connector D&E of the backplate,D in the hardware package.

GROUNDING INSTRUCTIONS

STEP 1: Insert the green grounding screw into the hole with two raised dimples on the circular strap. Wrap the ground wire from the fixture (if supplied) around the green grounding screw, then connect it to ground wire from the outlet box (if not fixed on the outlet box) using a wire connector (not supplied). If ground wire from the fixture is not supplied, wrap the ground wire (if not fixed on the outlet box) from the outlet box around the green grounding screw and tighten it.

NEVER CONNECT GROUND WIRE TO BLACK OR WHITE POWER SUPPLY WIRES.

STEP 2: Take note of the color of the wire(s) on your fixture.

Identify which group your fixture wire(s) falls into and connect the wires according to the directions below:

GROUP A: Connect to Black House Wire	GROUP B: Connect to White House Wire
BLACK	WHITE
*PARALLEL WIRE (round & smooth)	*PARALLEL WIRE (square & ridged)
WHITE OR GREY WITH TRACER	WHITE OR GREY WITHOUT TRACER
BROWN GOLD OR BLACK WITHOUT TRACER	BROWN, GOLD OR BLACK WITH TRACER

*NOTE: When parallel wire (SPT-1 & SPT-2) is used, the tracer wire is square shaped or ridged and the less tracer wire is round in shape or smooth (seen best when viewed from wire end.)

STEP 3: Take your fixture wire(s) from group A and place evenly against the black wire from the outlet box. Do NOT twist wires together before using wire connectors.

STEP 4: Fit a wire connector (not supplied) over the wires and screw the connector clockwise until you feel a firmness.

STEP 5: Try gently to pull the connector off the wires. If you can pull the connector off, carefully re-do steps 3 and 4, as above, and check again for a firm connection .

STEP 6: Connect the fixture wire from group B to the white wire from the outlet box in the same manner. Make sure no are wires can be seen outside wire connectors.

FINAL ASSEMBLY

STEP 1: After wires are connected, install the fixture body (F) onto the mounting plate (K), then secure with the

screws (I) into the fixture body (F) to the mounting plate (K).

STEP 2: Select your CCT color before installing:2700K,3000K,3500K,4000K,5000K

RELAMPING

STEP 1. unscrew the screw(I),then take away the fixture from the wall by loosen quick connector(D&E).

STEP 2. unscrew the screw(G),then take away the glass(M) with metal frame(A).

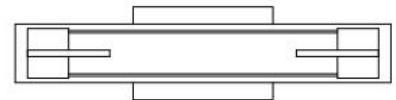
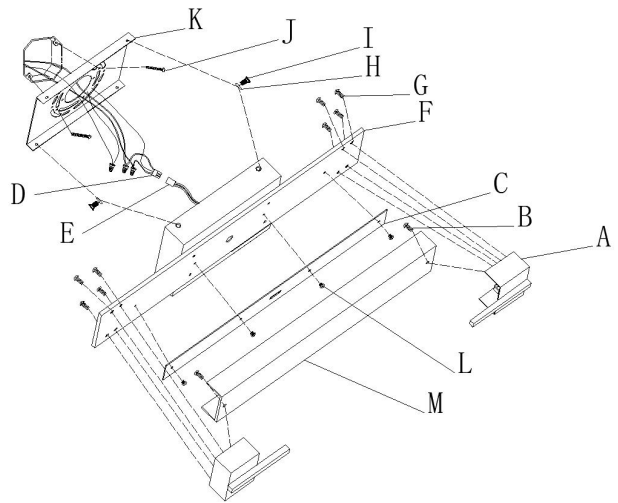
STEP 3.unscrew the screw(B).then replace the glass(M).

CLEANING

To clean, wipe fixture with a soft cloth. Clean glass with a mild soap. Do not use abrasive materials such as scouring pads or powders, steel wool or abrasive paper.

ORDERING PARTS

Keep this sheet for future reference, and in case you need to order replacement parts. All parts for this fixture can be ordered from place of purchase. Be sure to use exact wording from illustration when ordering parts.



Line art shown may not exactly match the fixture enclosed. However, the installations do apply to this fixture.

ITEM NO: 4100-18W-XX-LED
4100-23W-XX-LED
4100-33W-XX-LED
4100-43W-XX-LED

Recommended Dimmer list

No.	Brand	Item No.	Feature	Grade	Dimming Range
1	Lutron	DVCL- 153P-WH	150W 1.25A Dimmable LED, CFL, 600W Incandescent /Halogen	Compatible	10% to 100%
2	Lutron	DVSCCL- 153P-ES	150W 1.25A Dimmable LED, CFL, 600W Incandescent /Halogen	Compatible	10% to 100%
3	Lutron	DVCL-253P-WH	250W 2.0A Dimmable LED, CFL, 600W Incandescent /Halogen	Compatible	10% to 100%
4	Lutron	DVELV-300P-WH	300W Single-Pole Preset dimmer	Compatible	10% to 100%
5	Lutron	PD-6WCL, Caseta Wireless dimmer	100W 1.25A Dimmable LED, CFL, 600W Incandescent /Halogen, WIFI	Compatible	10% to 100%
6	Lutron	CTCL-153P-IV	150W 1.25A Dimmable LED, CFL, 600W Incandescent /Halogen	Compatible	10% to 100%
7	Lutron	S-600P-WH	600W Halogen/Incandescent Dimmer	Compatible	10% to 100%
8	Lutron	SELV-300P-IV	300W Preset dimmer	Compatible	10% to 100%
9	Lutron	AYCL-253P-WH	250W 2.0A Dimmable LED, CFL, 600W Incandescent /Halogen	Compatible	10% to 100%
10	Lutron	MACL- 153M-WH	150W 1.25A Dimmable LED, CFL, 600W Incandescent /Halogen	Compatible	10% to 100%
11	Lutron	DVWCL-153PH - WH	150W , 1.25A White, Compact Fluorescent Light/LED Or 600W Incandescent/Halogen	Compatible	10% to 100%
12	Copper	SAL06P	300W 2.5A Dimmable LED, CFL, 600W Incandescent /Halogen	Compatible	10% to 100%
13	Leviton	DSL06 -1LZ	300W 2.5A Dimmable LED, CFL, 600W Incandescent /Halogen, WIFI	Compatible	10% to 100%
14	Leviton	DW6HD	150W 1.25A Dimmable LED, CFL, 600W Incandescent /Halogen	Compatible	10% to 100%
15	Leviton	6672	150W 1.25A Dimmable LED, CFL,	Compatible	10% to 100%
16	Leviton	IPL06- 10Z	150W 1.25A Dimmable LED, CFL,	Compatible	10% to 100%
17	Leviton	DSM10- 1LZ	450W 3.75A Dimmable LED, CFL, 600W Incandescent /Halogen	Compatible	10% to 100%
18	Leviton	6674	150W 1.25A Dimmable LED, CFL,	Compatible	10% to 100%
19	Leviton	6633	150W 1.25A Dimmable LED, CFL, 600W Incandescent /Halogen	Compatible	10% to 100%
20	Leviton	TSL06- 1LW	300W 2.5A Dimmable LED, CFL, 600W Incandescent /Halogen, WIFI	Compatible	10% to 100%
21	Leviton	6615-POW	300W 2.5A Dimmable LED, CFL,	Compatible	10% to 100%
22	Legrand	RHCL453PW	450W 3.75A Dimmable LED, CFL,	Compatible	10% to 100%
23	Legrand	ADPD453LM2	150W 1.25A Dimmable LED, CFL, 600W Incandescent /Halogen	Compatible	20% to 100%
24	EATON	TAL06P2-C2	300W 2.5A Dimmable LED, CFL, 600W Incandescent /Halogen, WIFI	Compatible	10% to 100%
25	FEIT	72309	150W 1.25A Dimmable LED, CFL, 600W Incandescent /Halogen	Compatible	10% to 100%

Minimal buzzing noise may occur with some dimmers.