

# INSTALLATION AND SAFETY INSTRUCTIONS

## FOR YOUR SAFETY

**WARNING:** BE SURE THE ELECTRICITY TO THE WIRES YOU ARE WORKING ON IS SHUT OFF; EITHER THE FUSE IS REMOVED OR THE CIRCUIT BREAKER IS SHUT OFF. GENERAL You don't need special tools to install this fixture. Be sure to follow the steps in the order given. Under no circumstances should a fixture be hung on house electrical wires, nor should a swag type fixture be installed on a ceiling which contains a radiant type heating system. Read instructions carefully. If you are unclear as to how to proceed, consult a qualified electrician. NOTE: Proper wiring is essential for the safe operation of this fixture.

## GENERAL

You don't need special tools to install this fixture. Be sure to follow the steps in the order given. Under no circumstances should a fixture be hung on house electrical wires, nor should a swag type fixture be installed on a ceiling, which contains a radiant type heating system. Read instructions carefully. If you are unclear as to how to proceed, consult a qualified electrician.

NOTE: Proper wiring is essential for the safe operation of this fixture.

## FIXTURE ASSEMBLY

Carefully removed the fixture from the carton and check that all parts are included as shown in figure. Be careful not to misplace any of the screws or parts, which are needed to install this fixture.

## INSTALLATION

**IMPORTANT:** Do not attach fixture directly to outlet box.

**STEP1:** Secure universal mounting plate(P) on to outlet box with box screw(O). Proceed to connect wires:

**GROUNDING INSTRUCTIONS** **STEP 1:** Insert the green grounding screw into the hole with two raised dimples on the circular strap. Wrap the ground wire from the fixture (if supplied) around the green grounding screw, then connect it to ground wire from the outlet box (if not fixed on the outlet box) using a wire connector (not supplied). If ground wire from the fixture is not supplied, wrap the ground wire (if not fixed on the outlet box) from the outlet box around the green grounding screw and tighten it.

**STEP 2:** By installing the screw (N) (not included), Install the mounting plate.

GROUP A: Connect to Black House Wire	GROUP B: Connect to White House Wire
BLACK	WHITE
*PARALLEL WIRE (round & smooth)	*PARALLEL WIRE (square & ridged)
WHITE OR GREY WITH TRACER	WHITE OR GREY WITHOUT TRACER
BROWN GOLD OR BLACK WITHOUT TRACER	BROWN, GOLD OR BLACK WITH TRACER

**NEVER CONNECT GROUND WIRE TO BLACK OR WHITE POWER SUPPLY WIRES.**

## FINAL ASSEMBLY

**Step 1:** Fasten the mounting frame (M) to ceiling. Be sure that the frame is mounted securely to the building structure using long thick woodscrews (Not included, #10 or greater recommended). Woodscrews should be long enough to be in the wood structure at least 1.5" (not including frame, drywall/plaster or wall cladding). When needed refer to page 2 for extra fastening/safety cable fastening instructions when applicable.

**Step 2:** Feed the lamp cord (C) through the coupling (H). Once fixture is at the desired height, hold it in place by tightening the set screw (G). Put the figure 8 buckle on the wire and snug it up to the fitting where the wire comes through the ceiling plate.

Repeat for each pendant being attached to the canopy (I)  
**Step 3:** Add a section of bridge wire for every 4 lamp cords (C). This is done by taking a loose piece of wire 1'-2' in length. Attach the wires from the 4 lamp cords (C) to one end of the wire (white to white, black to black, ground to ground).

**Step 4:** Group the remaining cords (C) and lamp wire together and attach them to the main power source from the junction box with wire connectors. Once again, white to white and black to black, ground to ground.

**Step 5:** Tuck excess wire inside of the junction box. Raise the canopy (I) to the mounting frame (M). Be sure that no loose wires are being pinched. Fasten the canopy (I) in place with Finial(s) (E)

**Step 6:** Install the bulb (D) (Not included) into the socket cup (B)

**Step 7:** Install the glass shade (A) into the socket cup (B) by placing it inside of the socket cup (B) and turning it.

## CLEANING

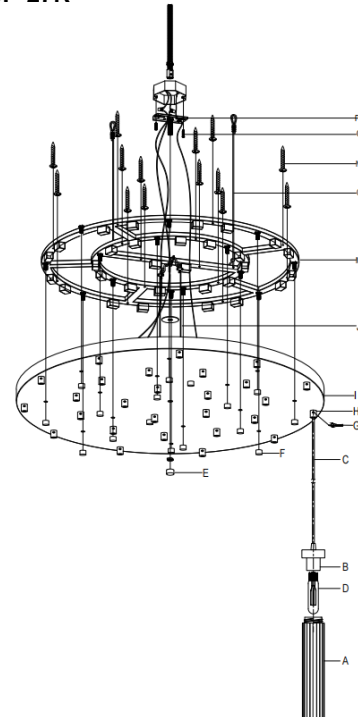
To clean wipe fixture with a soft cloth. Clean glass with a mild soap. Do not use abrasive materials such as scouring pads or powders, steel wool or abrasive paper.

## ORDERING PARTS

Keep this sheet for future reference, and in case you need to order replacement parts. All parts for this fixture can be ordered from place of purchase. Be sure to use exact wording from illustration when ordering parts.

**Line art shown may not exactly match the fixture enclosed. However, the installations do apply to this fixture.**

**ITEM NO: 740P-27R**



BE SURE THE ELECTRICITY TO THE WIRES YOU ARE WORKING ON IS SHUT OFF; EITHER THE FUSE IS REMOVED OR THE CIRCUIT BREAKER IS SHUT OFF. Be sure to follow the steps in the order given. Under no circumstances should a fixture be hung on house electrical wires, nor should a swag type fixture be installed on a ceiling which contains a radiant type heating system. Read instructions carefully. If you are unclear as to how to proceed, consult a qualified electrician. NOTE: Proper wiring is essential for the safe operation of this fixture

(Refer to Figure 1, 2, ) The weight of this fixture will require means of support independent of the OUTLET BOX. This a fixture must be supported by 4/8-18 NPSM NIPPLE (supplied) The NIPPLE should be positioned so that 3/4" protrudes into the OUTLET BOX cavity. Note:the opposite end of the NIPPLE must be attached to a structural or bridging member of sufficient strength to support the fixture weight. A COTTER PIN has been included and should be installed Into the topof NIPPLE, above HEX NUT for added safety. A clearance hole ,must be drilled on the inside top center of the OUTLET BOX.Please refer to Figure 2 for detailed illustration. We recommend the consultation of a licensed electrician or contractor due to the complexitu of this installation

**IMPORTANT:** Do not attach fixture directly to outlet box.

STEP 1: Assemble the MOUNTING THREAD NIPPLE with MOUNTING STRAP and the 4/8-18 NIPPLE into the COUPLING until tight, tighten the SET SCREWS with screwdriver to seure the COUPLING to NIPPLES. Proceed to insert the 4/8-18 NIPPLE into the OUTLET BOX CENTER HOLE up to the WOOD BRIDGING MEMBER, (See FIGURE 1 and 2)

STEP 2: Secure the MOUNTING STRAP on the OUTLET BOX with BOX SCREWS. Tighten the 4/8-18 NIPPLE on WOOD BRIDGING MEMBER WITH WASHER, HEX NUT WITH SHAKE PROOF WASHER(INCLUDED), Using a COTTER PIN insert into the 4/8-18 NIPPLE protrude top. See the FIGURE 2

STEP 3: Fasten the Mounting frame to the ceiling as per the PAGE 1 instruction

(Refer to Figure 1, 2) This fixture is provided with Safety Cables as well. The Safety Cable provides a back up system the mounting frame and the installation hardware. It is essential that the Safely Cable be properly installed. The Cable must be secured to a STRUCTURAL MEMBER of the building, and not to the outlet box. The Cable must be terminated with Steel cable lock kit specifically sized for the Cable per the following steps:

1. Insert enough cable through a hole of lock bushing
2. Attach the safety Cables from mounting frame to the Structural Member of building directly.
3. Wrap the Cable around the building Structural Member as many as you can, then pull the safety cable end tight, inserting into the other one hole of of lock bushing, secure the two screws tight into the lock bushing with screwdriver. Make sure the safety cable doesn't slip back

This is a sketch for only Safety Cable mounting, The Cable must be secured to a STRUCTURAL MEMBER of the building, and not to the outlet box.

Remark: Pls make sure all hardware is properly tightened and that the cable is positioned clear of any obstructions!

Carefully remove the fixture from the carton and check that all parts are included as shown in FIGURE 1. 2. Be careful not to misplace any of the screws or parts, which are needed to install this fixture.

Hook the mounting steel cables from the fixture ceiling pan on the mounting frame for making wire connections

