

INSTALLATION AND SAFETY INSTRUCTIONS

FOR YOUR SAFETY WARNING

BE SURE THE ELECTRICITY TO THE WIRES YOU ARE WORKING ON IS SHUT OFF; EITHER THE FUSE IS REMOVED OR THE CIRCUIT BREAKER IS SHUT OFF. Be sure to follow the steps in the order given. Under no circumstances should a fixture be hung on house electrical wires, nor should a swag type fixture be installed on a ceiling which contains a radiant type heating system. Read instructions carefully. If you are unclear as to how to proceed, consult a qualified electrician. NOTE: Proper wiring is essential for the safe operation of this fixture.

(Refer to Figure 1, 2, 3 on page 2) The weight of this fixture will require means of support independent of the OUTLET BOX. This a fixture must be supported by 4/8-18 NPSM NIPPLE (supplied) The NIPPLE should be positioned so that 3/4" protrudes into the OUTLET BOX cavity. Note: the opposite end of the NIPPLE must be attached to a structural or bridging member of sufficient strength to support the fixture weight. A COTTER PIN has been included and should be installed into the top of NIPPLE, above HEX NUT for added safety. A clearance hole must be drilled on the inside top center of the OUTLET BOX. Please refer to Figure 2, and 3, Page 2 for detailed illustration. We recommend the consultation of a licensed electrician or contractor due to the complexity of this installation

FIXTURE ASSEMBLY

Carefully remove the fixture from the carton and check that all parts are included as shown in FIGURE 1. Be careful not to misplace any of the screws or parts, which are needed to install this fixture

INSTALLATION

IMPORTANT: Do not attach fixture directly to outlet box.

STEP 1: Assemble the MOUNTING THREAD NIPPLE (E) with MOUNTING STRAP (A), HEX NUT(C), WASHER(D) and CANOPY CHAIN LOOP (G) together, then, assemble COUPLING on the MOUNTING THREAD NIPPLE top. Make the FIXTURE WIRES (K) and SAFETY CABLE (K1) passing through the Canopy Chain loop(G), mounting thread nipple(E), pull the fixture wires (K) out from the side hole of coupling, and the safety cable (K1) from the coupling top (See FIGURE1 and 2)

STEP 2: Assemble the 4/8-18 NIPPLE into the COUPLING until tight, tighten the SET SCREWS with screwdriver to secure the COUPLING to NIPPLES. Proceed to insert the 4/8-18 NIPPLE into the OUTLET BOX CENTER HOLE up to the WOOD BRIDGING MEMBER, (See FIGURE 2 and 3)

STEP 3: Secure the MOUNTING STRAP on the OUTLET BOX with BOX SCREWS. Tighten the 4/8-18 NIPPLE on WOOD BRIDGING MEMBER WITH WASHER, HEX NUT WITH LOCK WASHER(INCLUDED), Using a COTTER PIN insert into the 4/8-18 NIPPLE top, Wrap the safety cable end on the cable lock nut as much as you can, then, pull the safety cable end tight, lock the hex nuts Until tight. Make sure this does not slip back into sleeve while fastening. See the FIGURE 1, 2 and 3

Refer to fixture assembly instructions following and complete steps.

GROUNDING INSTRUCTIONS

STEP 1: Insert the green grounding screw into the hole with two raised dimples on the mounting bar. Wrap the ground wire from the fixture (if supplied) around the green grounding screw, then connect it to ground wire from the outlet box (if not fixed on the outlet box) using a wire connector (not supplied). If ground wire from the fixture is not supplied, wrap the ground wire (if not fixed on the outlet box) from the outlet box around the green grounding screw and tighten it.

NEVER CONNECT GROUND WIRE TO BLACK OR WHITE POWER SUPPLY WIRES.

STEP 2: Take note of the color of the wire(s) on your fixture.

Identify which group your fixture wire(s) falls into and connect the wires according to the directions below:

| | |
|--------------------------------------|--------------------------------------|
| GROUP A: Connect to Black House Wire | GROUP B: Connect to White House Wire |
| BLACK | WHITE |
| *PARALLEL WIRE (round & smooth) | *PARALLEL WIRE (square & ridged) |
| WHITE OR GREY WITH RACER | WHITE OR GREY WITHOUT TRACER |
| BROWN GOLD OR BLACK WITHOUT TRACER | BROWN, GOLD OR BLACK WITH TRACER |

*NOTE: When parallel wire (SPT-1 & SPT-2) is used, the tracer wire is square shaped or ridged and the less tracer wire is round in shape or smooth (seen best when viewed from wire end.)

STEP 3: Take your fixture wire(s) from group A and place evenly against the black wire from the outlet box. Do NOT twist wires together before using wire connectors

STEP 4: Fit a wire connector (not supplied) over the wires and screw the connector clockwise until you feel firmness.

STEP 5: Try gently to pull the connector off the wires. If you can pull the connector off, carefully re-do steps 3 and 4 as above, and check again for a firm connection

STEP 6: Connect the fixture wire from group B to the white wire from the outlet box in the same manner. Make sure no bare wires can be seen outside wire connectors.

FINAL ASSEMBLY

STEP 1: After wires are connected, tuck the wires carefully inside outlet box. Raise canopy (F) allowing for CANOPY CHAIN LOOP (G) to protrude through the hole on canopy (F), and secure with screw collar ring (L).

STEP 2: Install bulb(s) (P) to socket(s) (O) (**Bulbs not included**).

STEP 3: Attach crystal panel (M) and (N) to fixture frame (L) as per FIGURE 1 Shown

CLEANING

To clean, wipe fixture with a soft cloth. Clean glass with a mild soap. Do not use abrasive materials such as scouring pads or powders, steel wool or abrasive paper.

ORDERING PARTS

Keep this sheet for future reference, and in case you need to order replacement parts. Be sure to use exact wording from illustration when ordering parts.

Line art shown may not exactly match the fixture enclosed. However, the installations do apply to this fixture. ITEM NO: 822-P26, 822-P32, 822-P45

FIGURE 1.

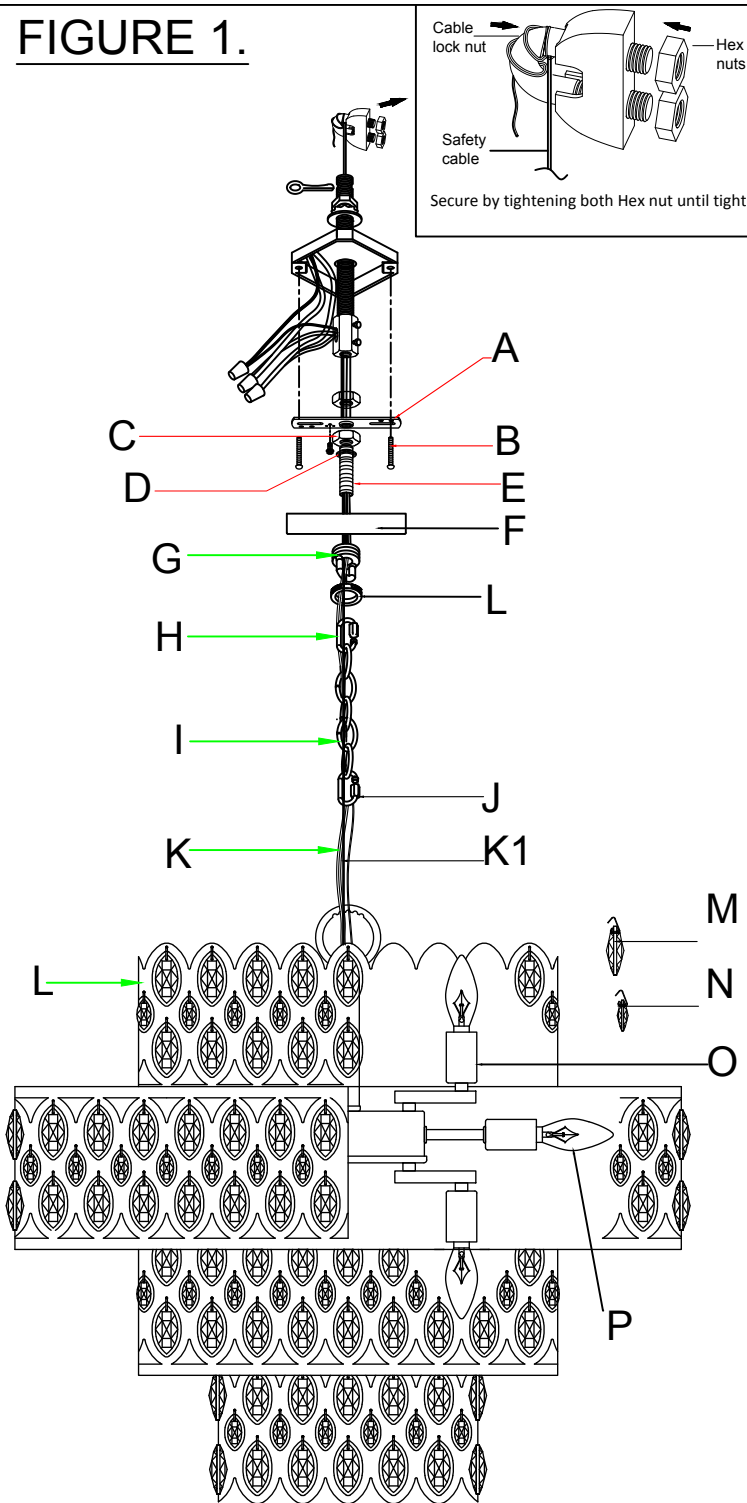


FIGURE 2.

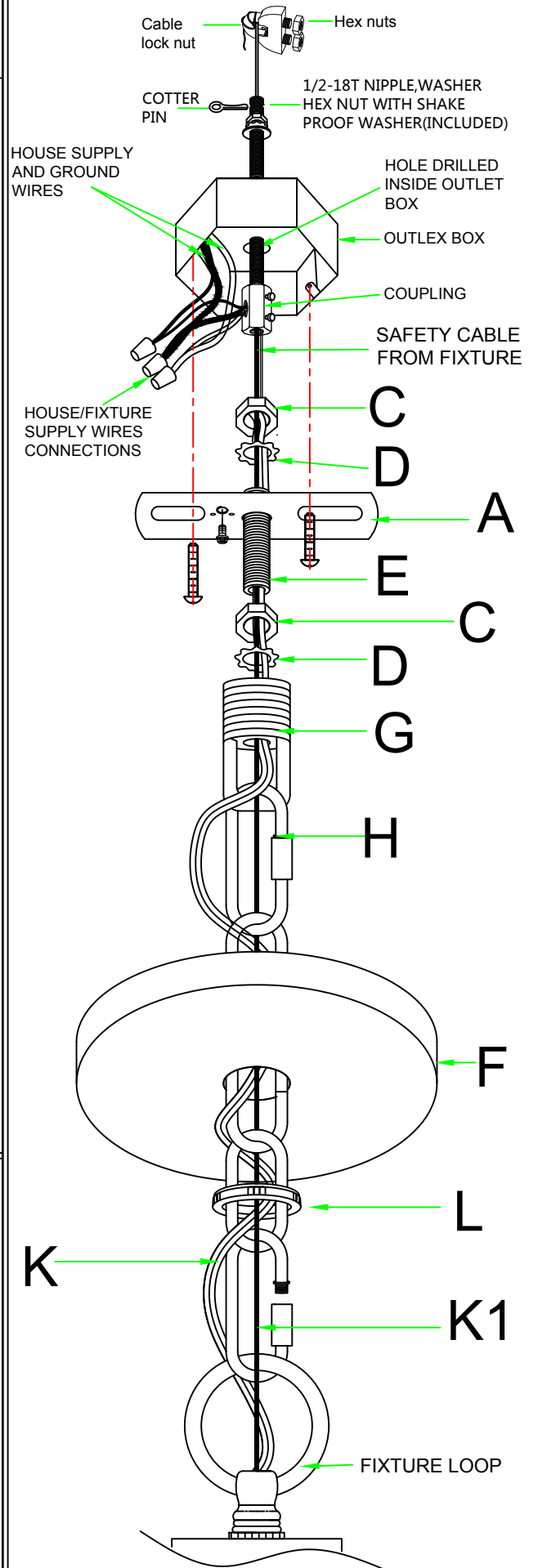


FIGURE 3: CRAWL SPACE/ATTIC CUT-AWAY

