

INSTALLATION INSTRUCTIONS

Model 594CHM;595CHM;594CHB;595CHB

FOR YOUR SAFETY WARNING: BE SURE THE ELECTRICITY TO THE WIRES YOU ARE WORKING ON IS SHUT OFF; EITHER THE FUSE IS REMOVED OR THE CIRCUIT BREAKER IS SHUT OFF.

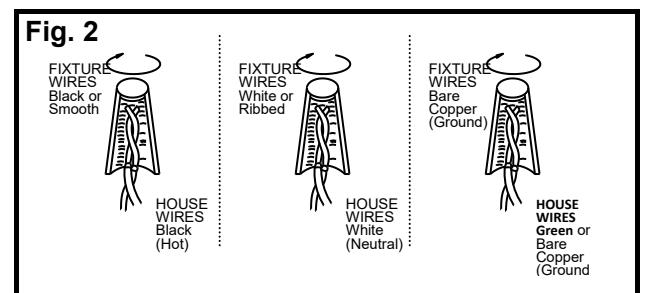
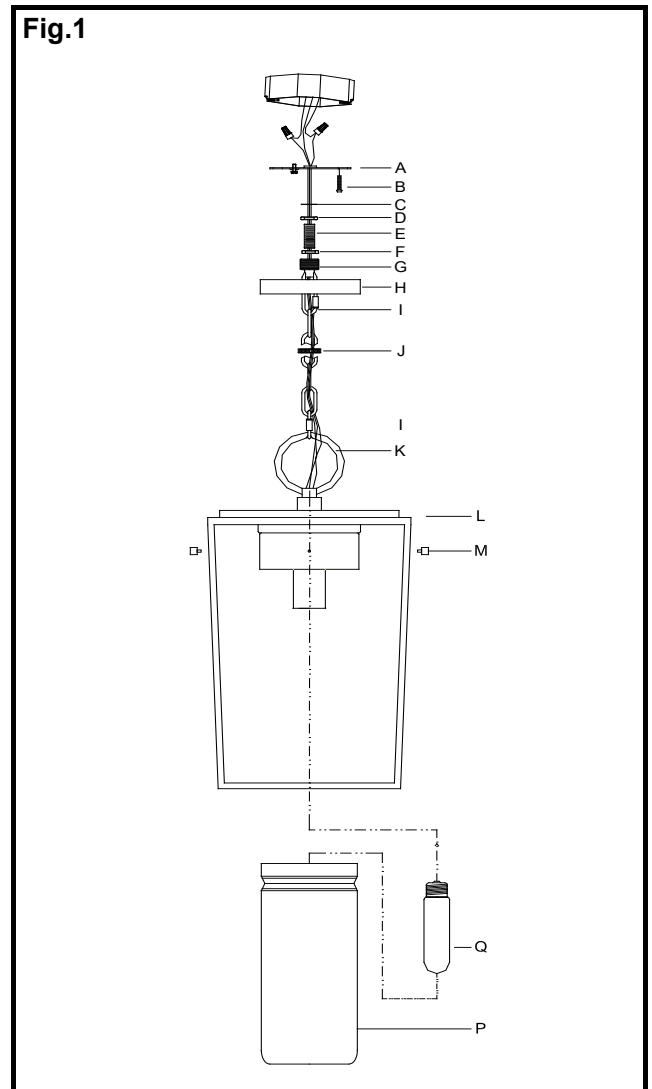
CAUTION: THE PRODUCT SHOULD BE INSTALLED BY A QUALIFIED ELECTRICIAN THAT IS AWARE OF THE CONSTRUCTION AND OPERATION OF THE PRODUCT AND THE HAZARDS INVOLVED

GENERAL You don't need special tools to install this fixture. Be sure to follow the steps in the order given. Under no circumstances should a fixture be hung on house electrical wires, nor should a swag type fixture be installed on a ceiling which contains a radiant type heating system. Read instructions carefully. If you are unclear as to how to proceed, consult a qualified electrician.

NOTE: Proper wiring is essential for the safe operation of this fixture.

HANGING THE FIXTURE (Fig. 1)

1. Shut off the power at the circuit breaker and remove the old fixture, including the mounting hardware. Carefully unpack your new fixture and lay out all the parts on a clear area. Take care not to lose any small parts necessary for installation.
2. Determine the length of Chain required to hang the fixture at the desired height, using quick link (I) attach to the fixture loop (K), remove or add Chain links as desired at this time, Lace fixture wire and ground wire up through every 3 links of Chain.
3. Thread the screw collar loop (G) onto the thread nipple (E), and then, thread nipple (E) into the mounting strap (A) and secure with hex nuts (D and F) and washer (C)
4. Attach the mounting strap (A) to outlet box using two box screws provided with the outlet box. Put the canopy (H) over the outlet box secured with screw collar ring (J).
5. fasten the end link (I) of chain to the screw collar loop (G). loose the screw collar ring (J) from screw collar loop to slide down the screw collar ring (J), canopy (H) along with Chain.
6. Insert the fixture and the ground wire through the nipple (E), to make the wire connections as per.
7. **Connect the electrical wires as follow:**
Connect the smooth wire from the fixture to the black (hot) supply wire from outlet box; connect the ribbed wire from the fixture to the white (neutral) house wire from outlet box. Make sure all wire nuts are secured. (Fig. 2) You may wrap the connections with electrical tape. If your outlet has a ground wire (green or bare copper). Connect fixture's ground wire to it. Otherwise, connect fixture's ground wire directly to the crossbar using the green screw provided. Tuck the wire connections carefully into the outlet box.
9. Raise the Canopy (H) and screw collar Ring (J) up to the ceiling and secure in place by screwing the screw collar ring (J) on the screw collar loop (G)
10. Install the bulb (Q not provided) into E26 Medium base in accordance with the fixture's specification.
11. **Install glass (P). (Fig.3)**
11. Install the glass (P) on the cage and tighten it with cap nuts (M)



Your installation is now complete. Return power to the junction box and test the fixture

INSTALLATION INSTRUCTIONS

Model 594CHM;595CHM;594CHB;595CHB

FOR YOUR SAFETY WARNING: BE SURE THE ELECTRICITY TO THE WIRES YOU ARE WORKING ON IS SHUT OFF; EITHER THE FUSE IS REMOVED OR THE CIRCUIT BREAKER IS SHUT OFF.

CAUTION: THE PRODUCT SHOULD BE INSTALLED BY A QUALIFIED ELECTRICIAN THAT IS AWARE OF THE CONSTRUCTION AND OPERATION OF THE PRODUCT AND THE HAZARDS INVOLVED

GENERAL You don't need special tools to install this fixture. Be sure to follow the steps in the order given. Under no circumstances should a fixture be hung on house electrical wires, nor should a swag type fixture be installed on a ceiling which contains a radiant type heating system. Read instructions carefully. If you are unclear as to how to proceed, consult a qualified electrician.

NOTE: Proper wiring is essential for the safe operation of this fixture.

Fig. 3

