

INSTALLATION AND SAFETY INSTRUCTIONS

FOR YOUR SAFETY WARNING

BE SURE THE ELECTRICITY TO THE WIRES YOU ARE WORKING ON IS SHUT OFF; EITHER THE FUSE IS REMOVED OR THE CIRCUIT BREAKER IS SHUT OFF.

GENERAL

You don't need special tools to install this fixture. Be sure to follow the steps in the order given. Under no circumstances should a fixture be hung on house electrical wires, nor should a swag type fixture be installed on a ceiling, which contains a radiant type heating system. Read instructions carefully. If you are unclear as to how to proceed, consult a qualified electrician.

NOTE: Proper wiring is essential for the safe operation of this fixture.

FIXTURE ASSEMBLY

Carefully removed the fixture from the carton and check that all parts are included as shown in figure. Be careful not to misplace any of the screws or parts, which are needed to install this fixture.

INSTALLATION

IMPORTANT: Do not attach fixture directly to outlet box.

STEP 1

A. Prepare to make wire connections. (Connectors are not included with fixture.)

Strip and prepare wire ends according to instructions supplied with connectors.

STEP 2 Make Wire Connections -

B. Use standard wire connectors to make all wire

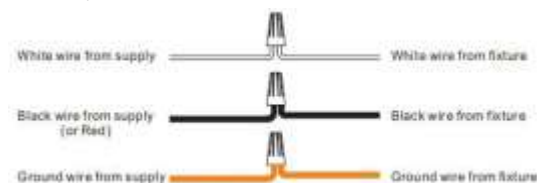
B. Connect White Supply Wire from the Post to White Wire from fixture.

C. Connect Black (or Red) Supply Wire from the Post to Black Wire from fixture.

D. Connect Ground Wire from the Post to Ground Wire from fixture.

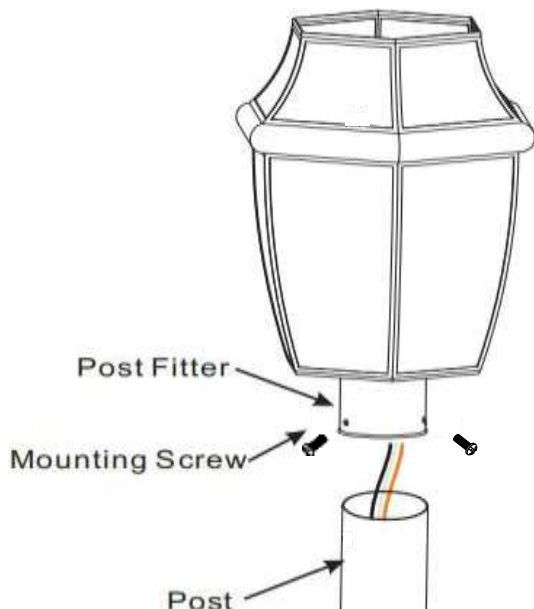
E. Twist connectors until wires are tightly joined together.

F. Wrap each connection with approved electrical tape and carefully stuff all the connected wires into the Post.



STEP 3 - Attach Fixture Body to Post

A. Secure the Fixture to Post with (3) Mounting Screws.



STEP 5 - Install Bulb

A. This fixture uses standard bulb with a candelabra screw base. Maximum 60 watts.

B. Insert bulb and screw snugly into place.

STEP 6 Attach Fixture Hood to Fixture Body -

a. Place the Fixture Hood Assembly (D) over the top end of the Center Stem (E), attach to the top edge of the Cage.

Pass the Waterproof Washer (C) over the Center Stem (E) and secure with the Finial (B). Hand tighten until snug.

Your fixture is now assembled and ready to use.

CLEANING

To clean, wipe fixture with a soft cloth. Clean glass with a mild soap. Do not use abrasive materials such as scouring pads or powders, steel wool or abrasive paper.

ORDERING PARTS

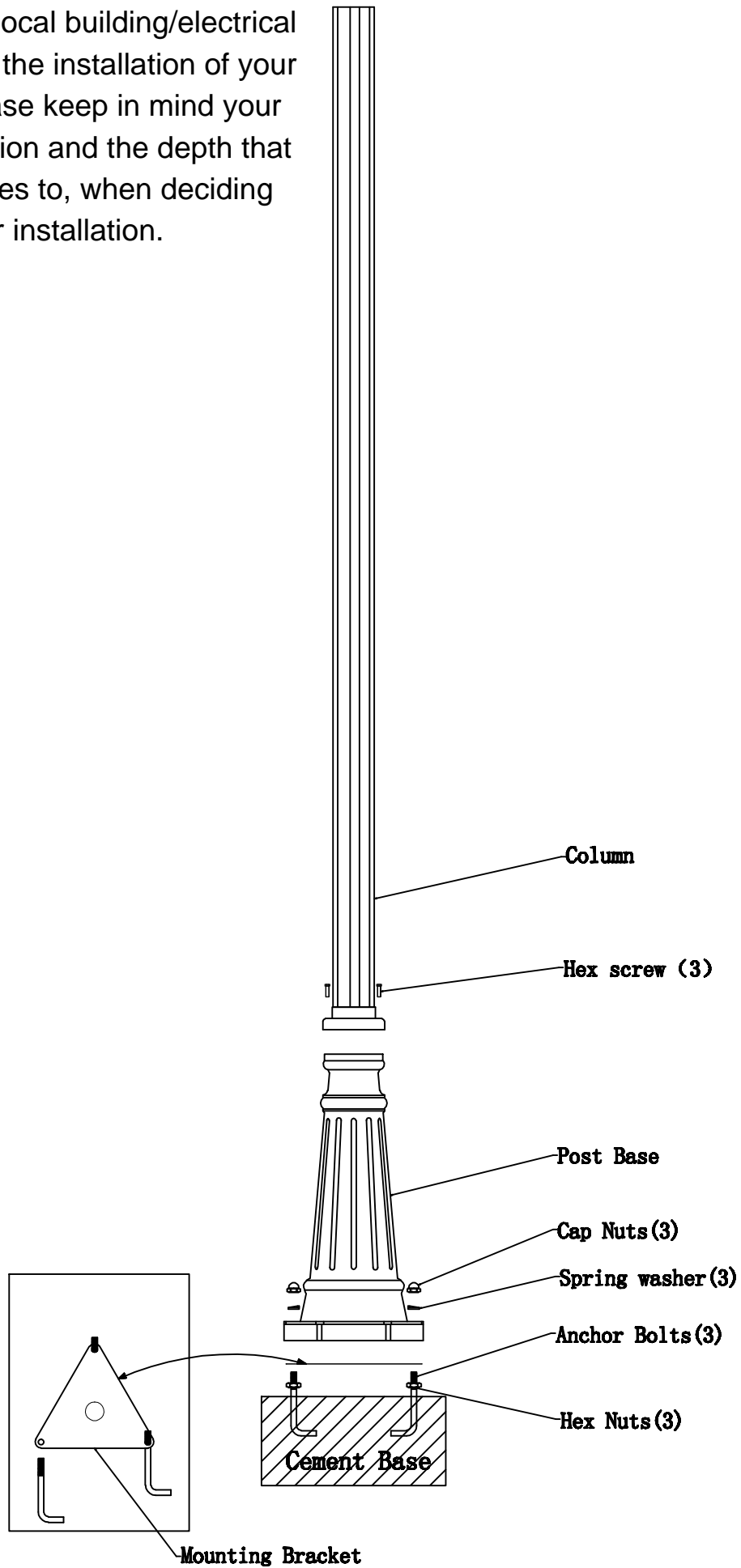
Keep this sheet for future reference, and in case you need to order replacement parts. All parts for this fixture can be ordered from place of purchase. Be sure to use exact wording from illustration when ordering parts.



Line art shown may not exactly match the fixture enclosed. However, the installations do apply to this fixture.

ITEM NO: 580PHM / 580PHB

Please observe local building/electrical codes regarding the installation of your post fixture. Please keep in mind your geographic location and the depth that the ground freezes to, when deciding the depth of your installation.



519P-BK