






Yale *real* Living

Smart Cabinet Lock Installation Instructions

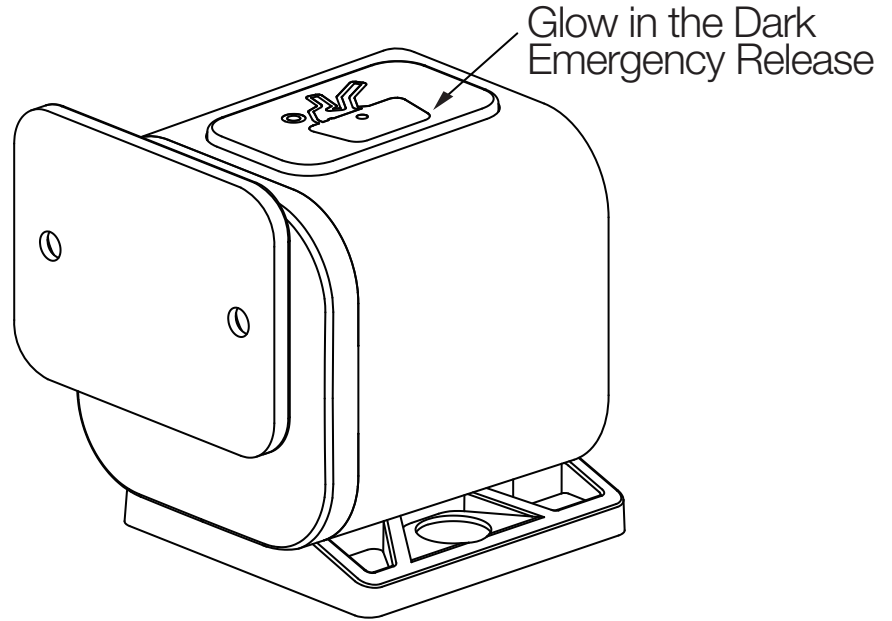
Before you begin >>>

DOWNLOAD THE BILT APP

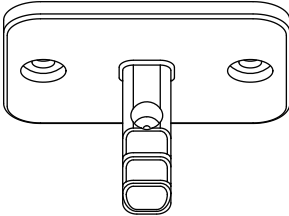
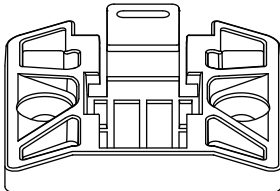


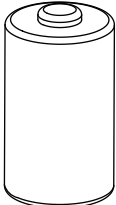
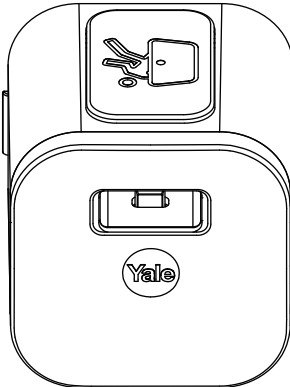
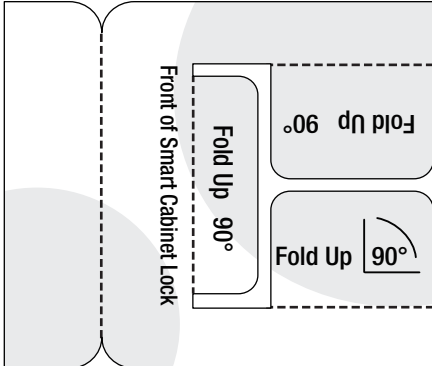
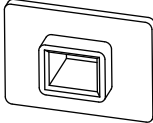

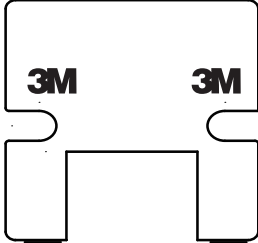
for step-by-step installation instructions & to register your product

BILT.



If you have any questions while installing, call our 24/7 tech support team!
Call 1-855-213-5841 or email Support@YaleLock.com

 x2 Lock Post	 x1 Mounting Bracket	 x2 M4x12 Screw	 x2 M3x10 Screw	 x1 CR2 Battery
 x1 Lockbody	 x1 Mounting Template	 x1 Lock Post Guide	 x1 3M Mounting Tape	 x1 3M Mounting Tape

FAILURE TO FOLLOW THESE INSTRUCTIONS COULD RESULT IN DAMAGE TO THE PRODUCT AND VOID THE FACTORY WARRANTY

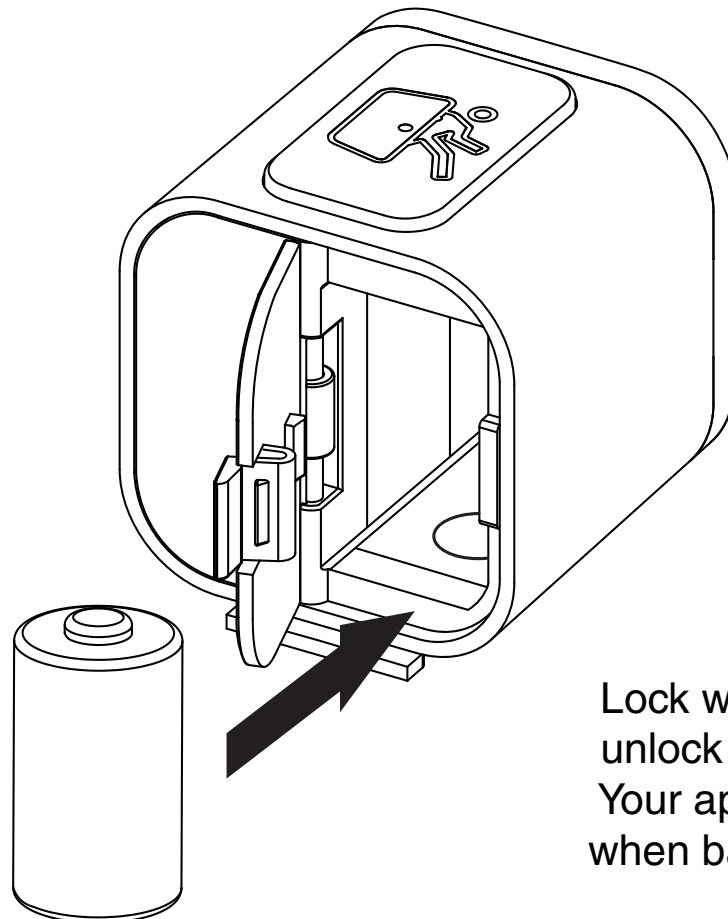
1

Download the Yale Access App



2

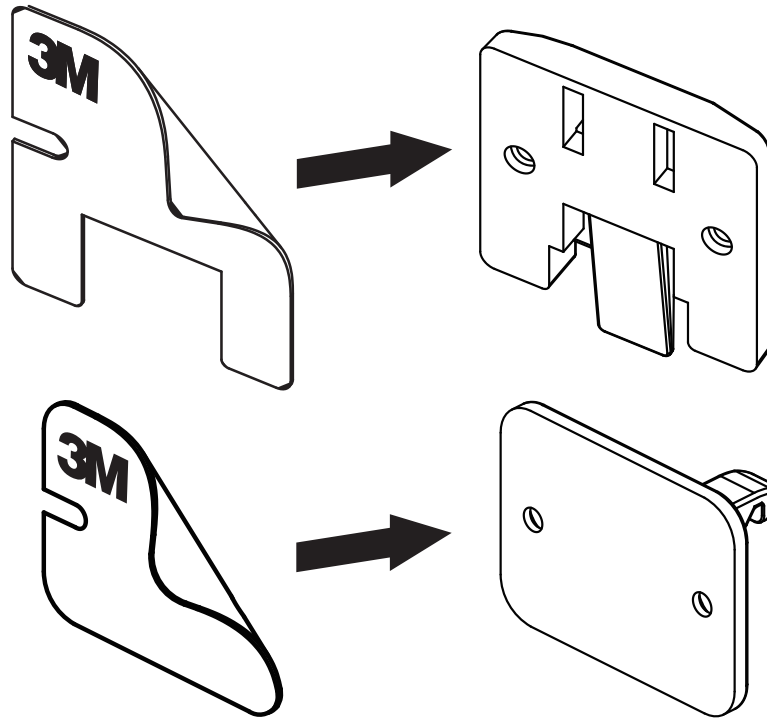
Insert CR2 Battery Into Lockbody



Lock will automatically unlock if batteries die. Your app will alert you when batteries are low.

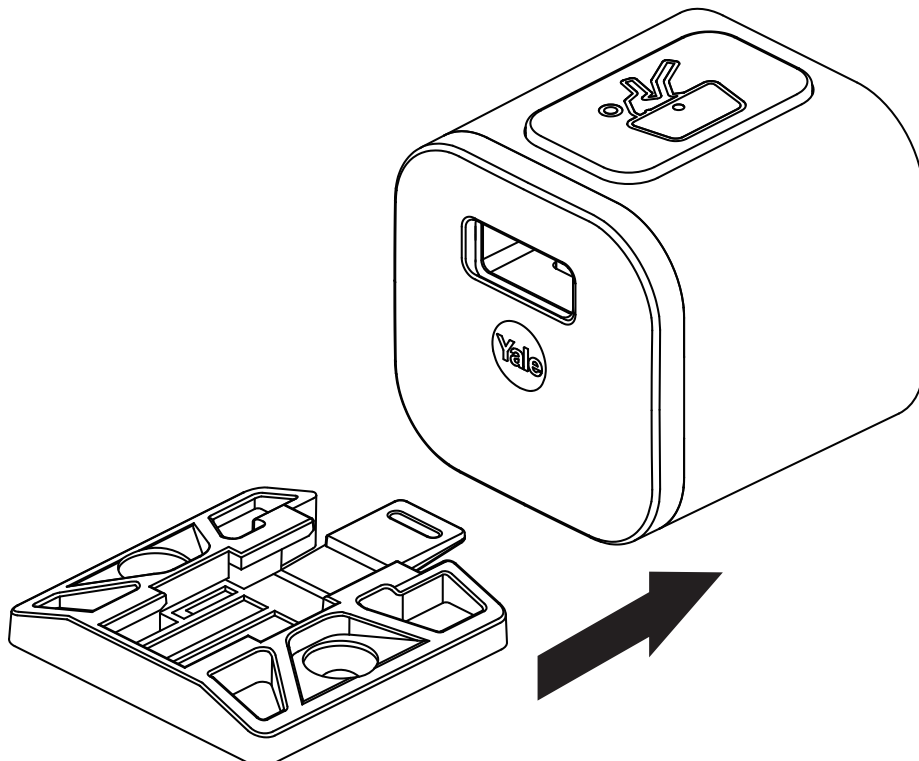
3

Attach 3M Tape To Mounting Bracket and Lock Post



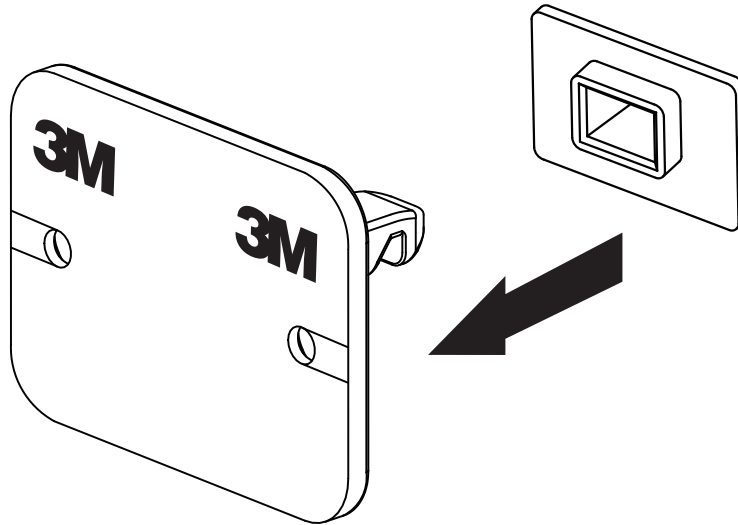
4

Slide Mounting Bracket Onto Bottom Of Lockbody



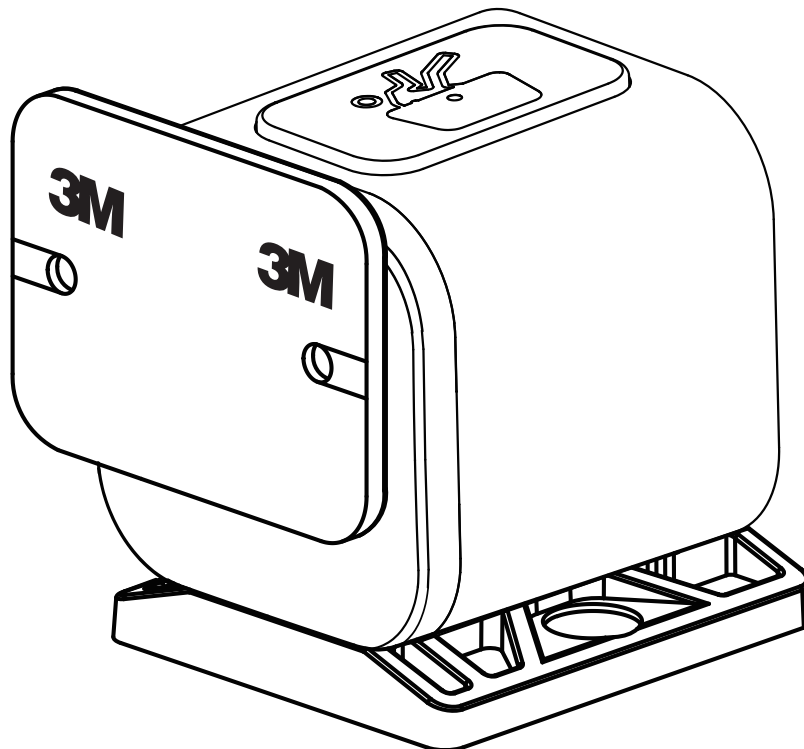
5

Slide Lock Post Guide Onto Lock Post



6

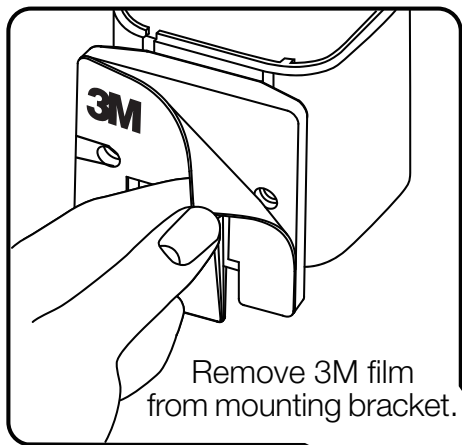
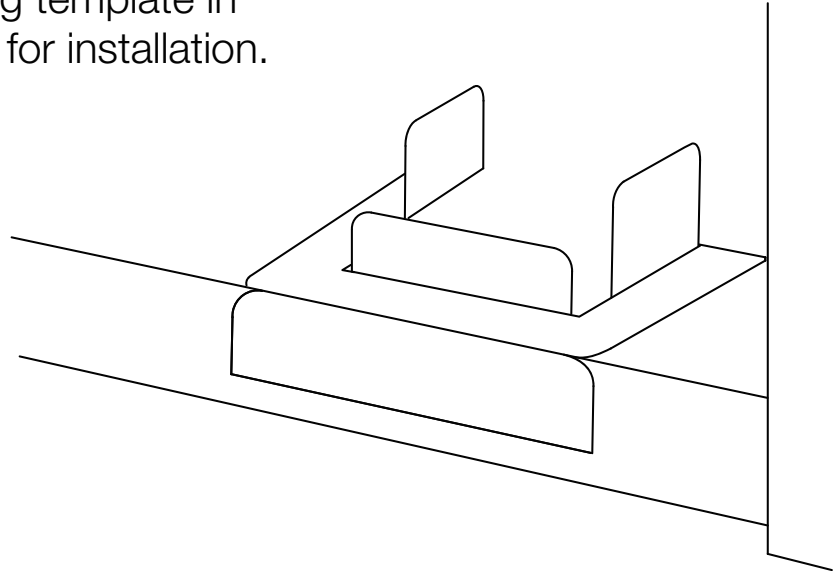
Attach Lock Post To Lockbody



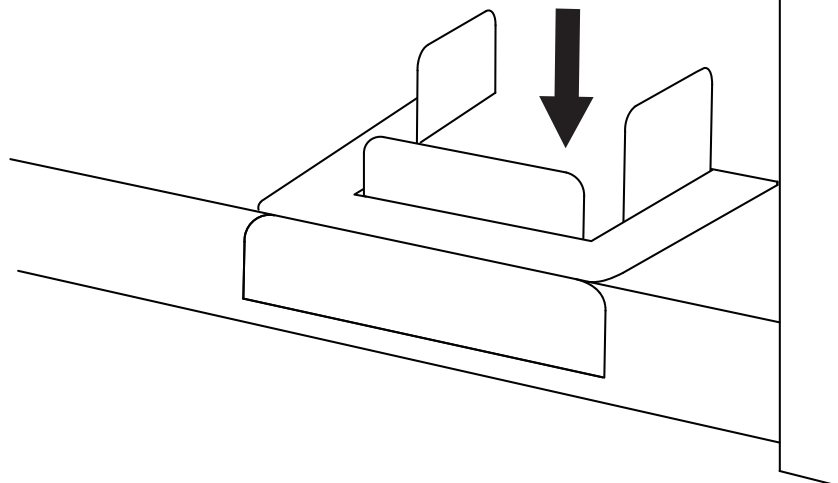
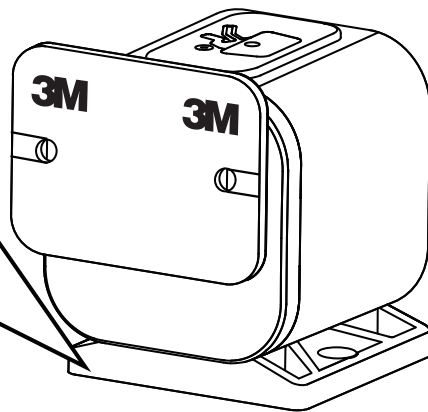
7

Install Smart Cabinet Lock

Place mounting template in desired location for installation.

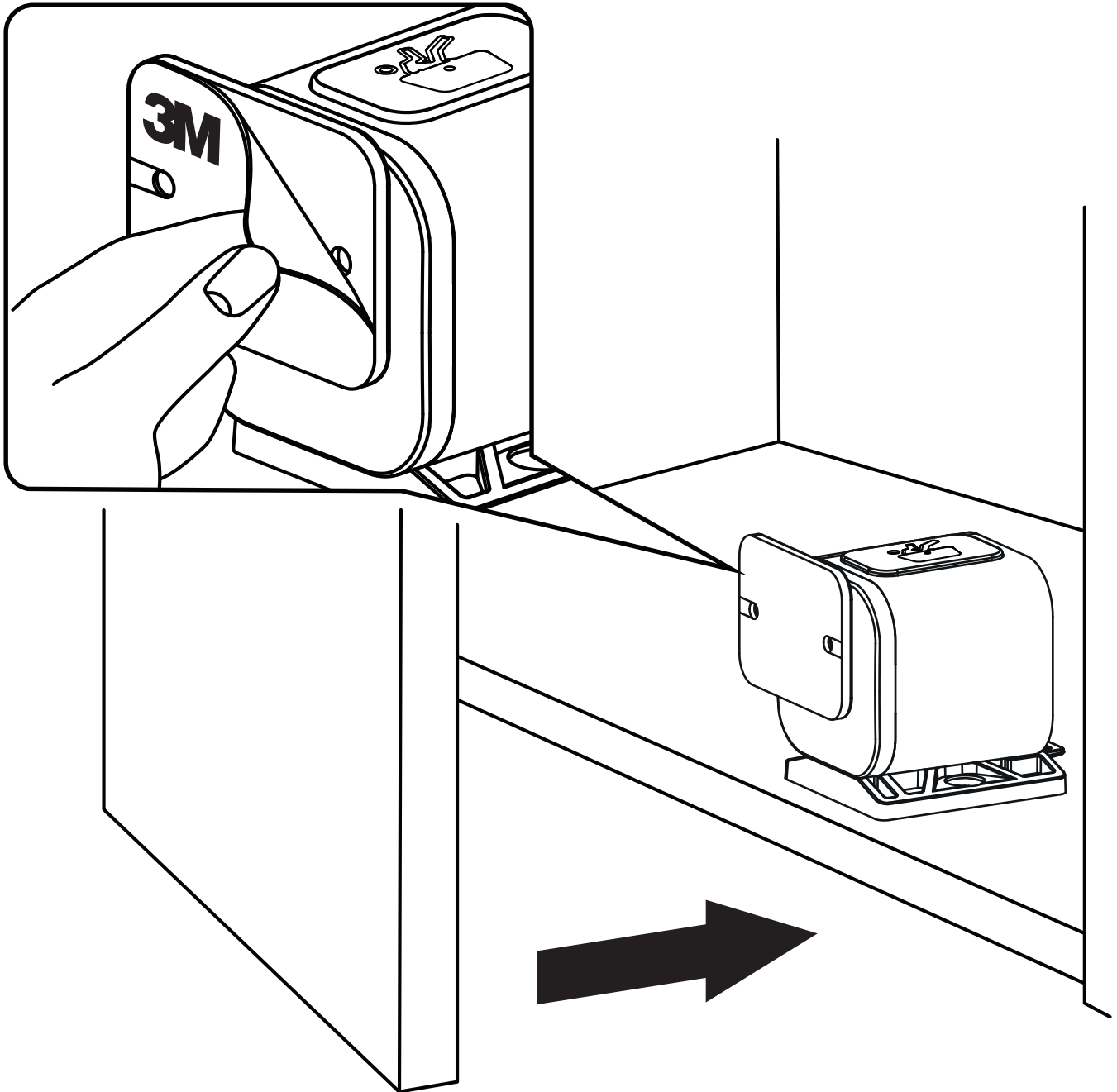


Remove 3M film from mounting bracket.



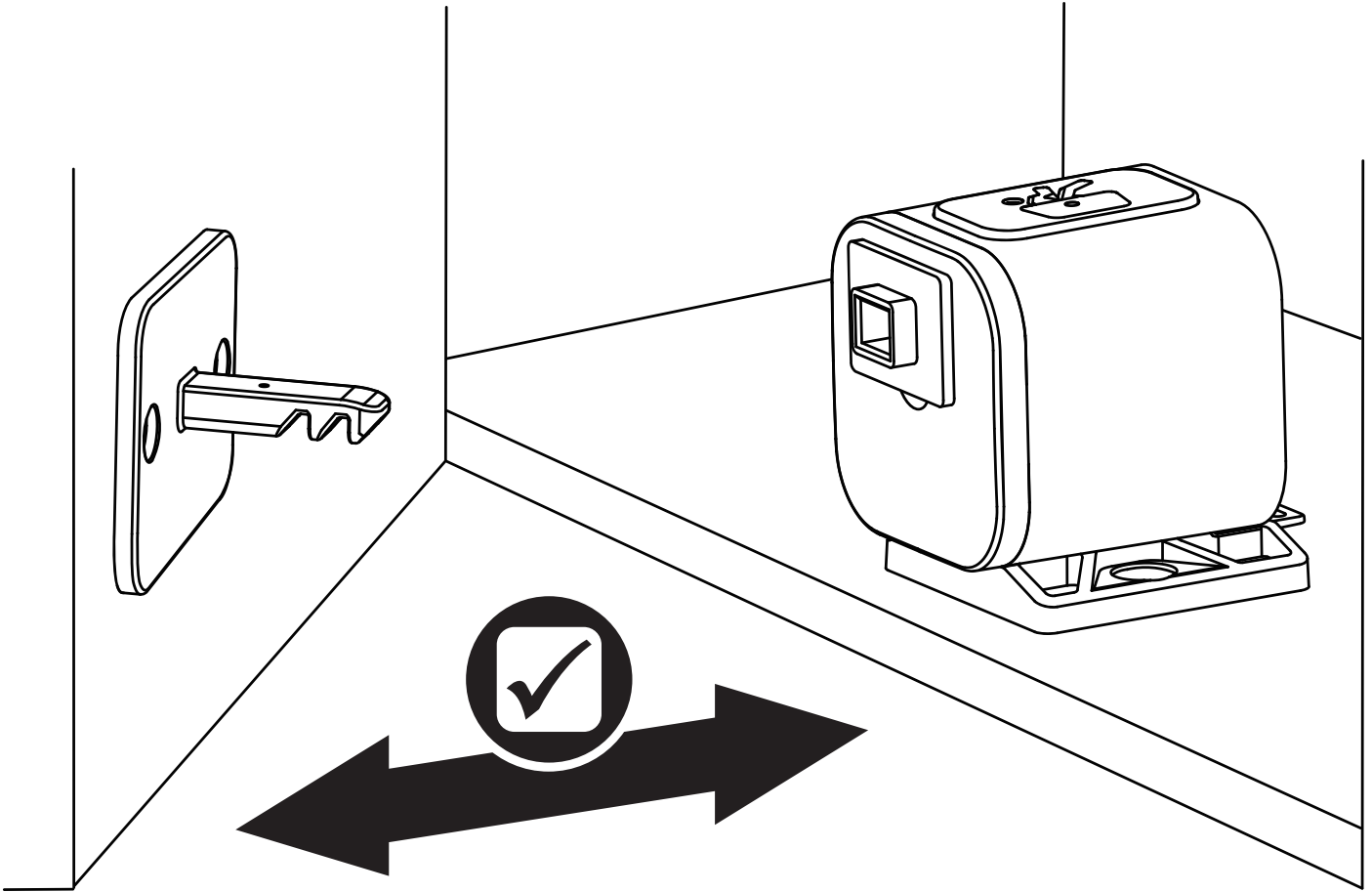


Attach Lock Post To Door



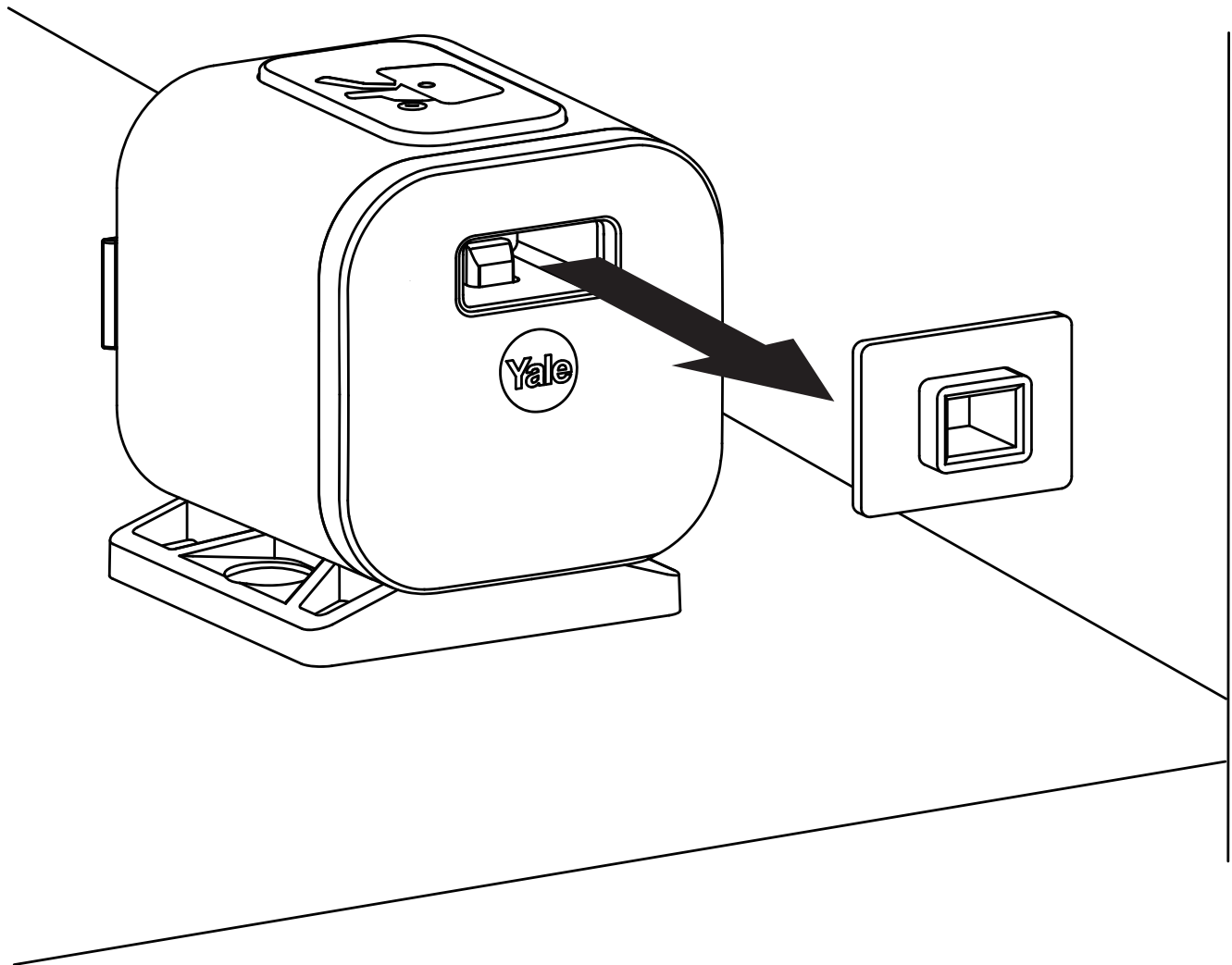


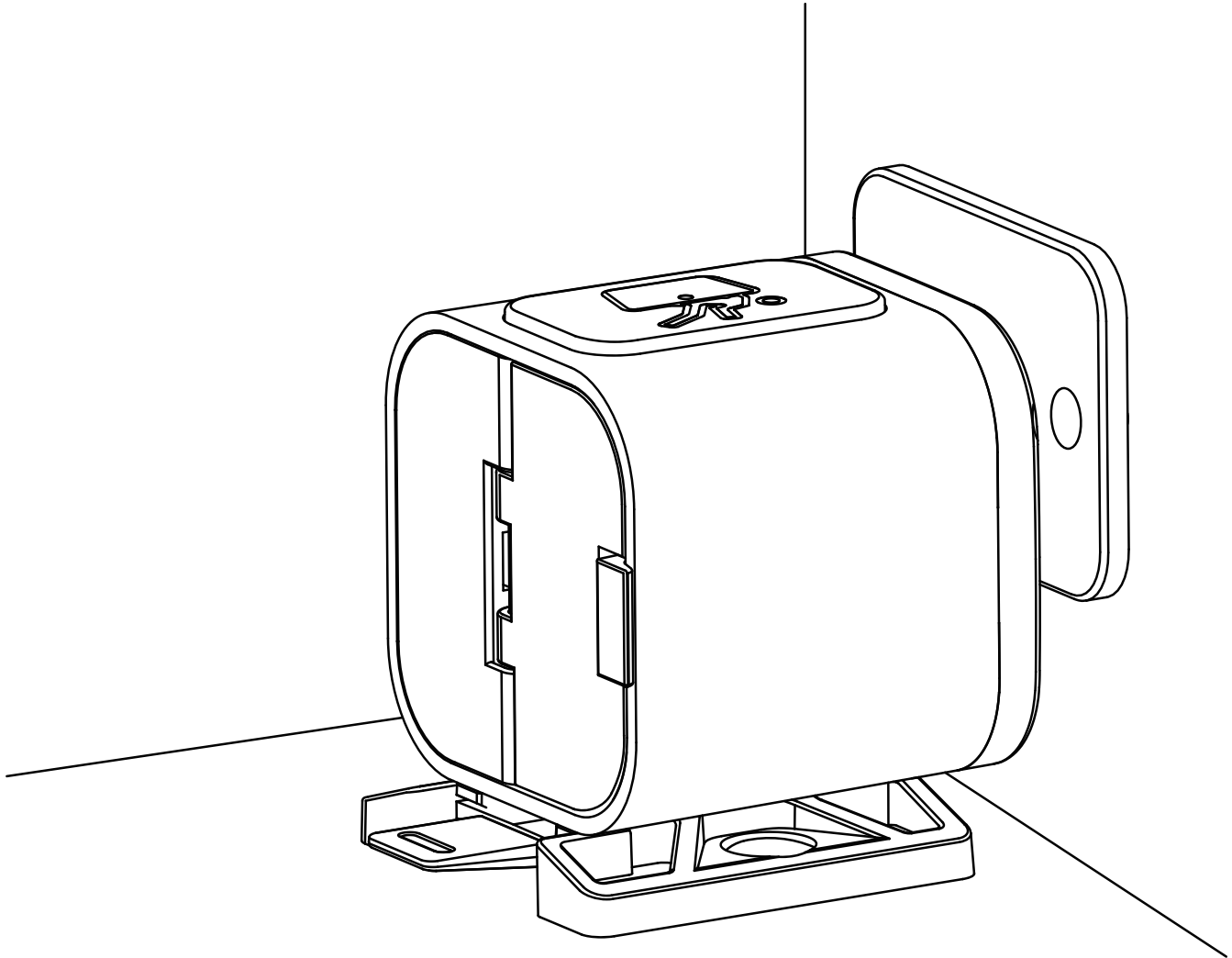
Test Operation



9

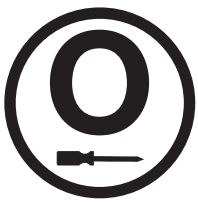
Remove Lock Post Guide





Congratulations! You've installed the Yale® Smart Cabinet Lock. Follow the steps in your Yale Access app to complete the setup process.

NOTE TO INSTALLER AND CONSUMER
A second lock post is provided as a spare in the event the cabinet door must be forced open and installed lock post is broken.



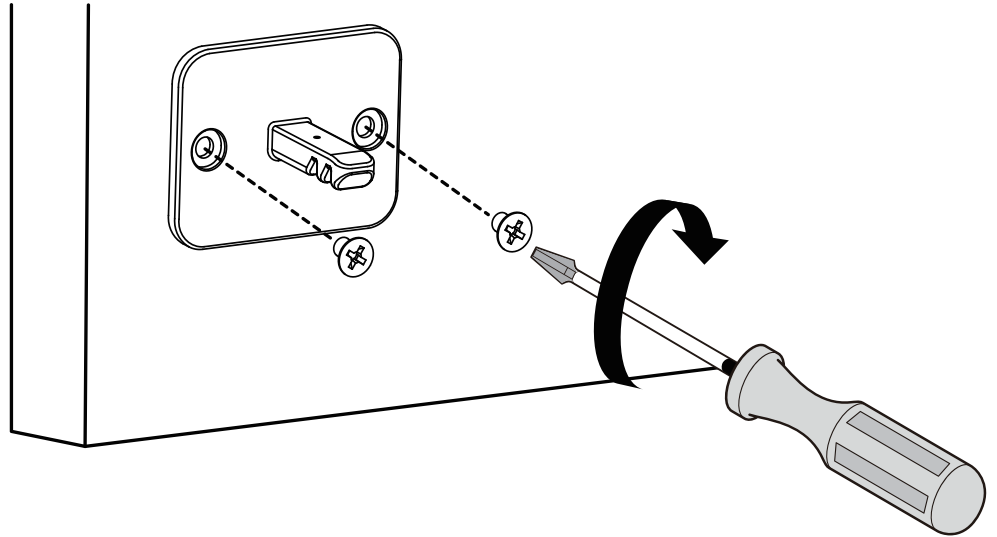
Screw Mounting



x2



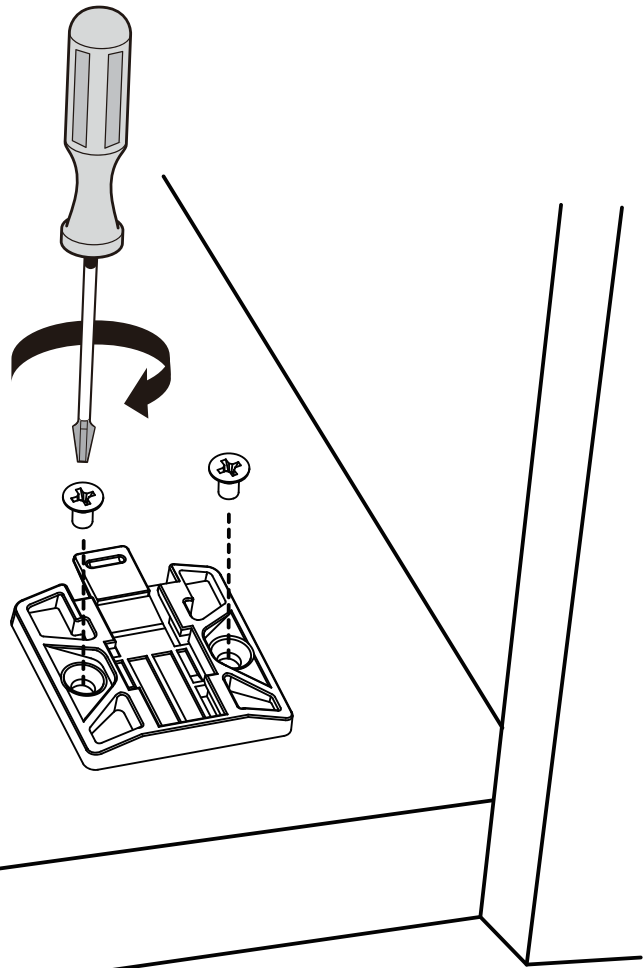
Ensure screws are no longer than depth of your cabinet door.

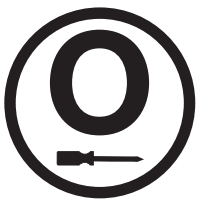


x2

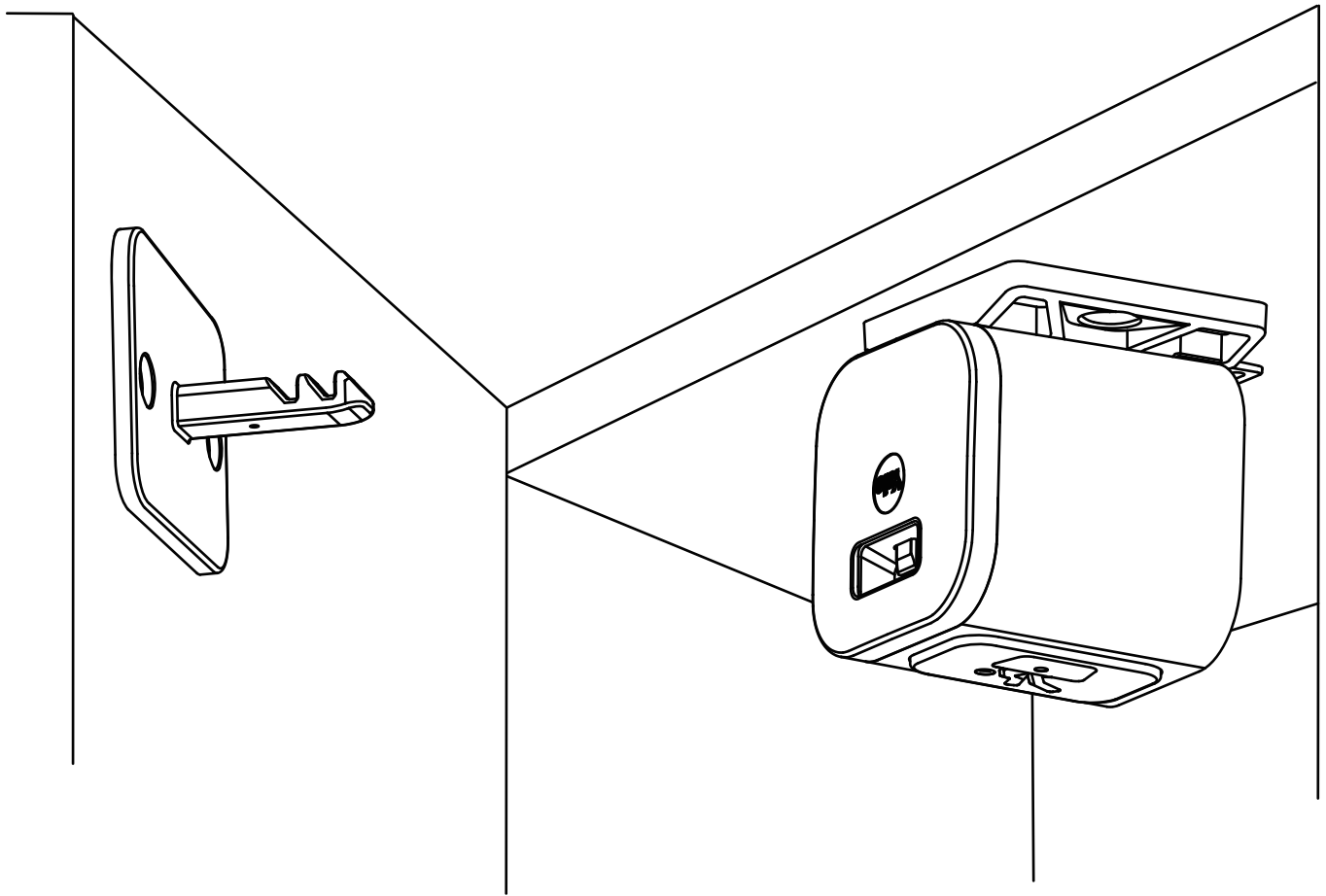


Remove lockbody from mounting bracket to access screw holes.





Top Of Cabinet Installation





Warning: Changes or modifications to this device, not expressly approved by ASSA ABLOY Residential Group could void the user's authority to operate the equipment.

FCC:

Contain FCC ID: 2ABFG- YRIZW2USTS1

Model: YRCB-490-BLE-WSP

This equipment has been tested and found to comply with the limits for a Class B digital device, pursuant to Part 15 of the FCC Rules. These limits are designed to provide reasonable protection against harmful interference in a residential installation. This equipment generates, uses, and can radiate radio frequency energy and, if not installed and used in accordance with the instructions, may cause harmful interference to radio communications. However, there is no guarantee that interference will not occur in a particular installation. If this equipment does cause harmful interference to radio or television reception, which can be determined by turning the equipment off and on, the user is encouraged to try to correct the interference by one or more of the following measures:

- Reorient or relocate the receiving antenna.
- Increase the separation between the equipment and receiver.
- Connect the equipment into an outlet on a circuit different from that to which the receiver is connected.
- Consult the dealer or an experienced radio/TV technician for help.

THIS DEVICE COMPLIES WITH PART 15 OF THE FCC RULES. OPERATION IS SUBJECT TO THE FOLLOWING TWO CONDITIONS.

(1) THIS DEVICE MAY NOT CAUSE HARMFUL INTERFERENCE, AND (2) THIS DEVICE MUST ACCEPT ANY INTERFERENCE RECEIVED, INCLUDING INTERFERENCE THAT MAY CAUSE UNDESIRE OPERATION.

Industry Canada:

Contain 11626A- YRIZW2USTS1

Model: YRCB-490-BLE-WSP

Section 7.1.2 of RSS-GEN Under Industry Canada regulations, this radio transmitter may only operate using an antenna of a type and maximum (or lesser) gain approved for the transmitter by Industry Canada. To reduce potential radio interference to other users, the antenna type and its gain should be so chosen that the equivalent isotropically radiated power (e.i.r.p.) is not more than that necessary for successful communication.

En vertu des règlements d'Industrie Canada, cet émetteur radio ne peut fonctionner avec une antenne d'un type et un maximum (ou moins) approuvés pour gagner de l'émetteur par Industrie Canada. Pour réduire le risque d'interférence aux autres utilisateurs, le type d'antenne et son gain doivent être choisies de façon que la puissance isotrope rayonnée équivalente (PIRE) ne dépasse pas ce qui est nécessaire pour une communication réussie.

Section 7.1.3 of RSS-GEN This Device complies with Industry Canada License-exempt RSS standard(s). Operation is subject to the following two conditions: 1) this device may not cause interference, and 2) this device must accept any interference, including interference that may cause undesired operation of the device.

Cet appareil est conforme avec Industrie Canada RSS standard exemptes de licence(s). Son fonctionnement est soumis aux deux conditions suivantes: 1) ce dispositif ne peut causer des interférences, et 2) cet appareil doit accepter toute interférence, y compris les interférences qui peuvent causer un mauvais fonctionnement du dispositif.

This radio transmitter 6982A-YRHCPZW0FM has been approved by Industry Canada to operate with the antenna types listed below with the maximum permissible gain indicated. Antenna types not included in this list, having a gain greater than the maximum gain indicated for that type, are strictly prohibited for use with this device.

Le présent émetteur radio 6982A-YRHCPZW0FM a été approuvé par Industrie Canada pour fonctionner avec les types d'antenne énumérés ci-dessous et ayant un gain admissible maximal. Les types d'antenne non inclus dans cette liste, et dont le gain est supérieur au gain maximal indiqué, sont strictement interdits pour l'exploitation de l'émetteur.

CAN ICES-3B/NMB-3B

Yale Locks & Hardware

Product Support Tel 1-855-213-5841 • www.yalehome.com

Yale® and Yale Real Living® are registered trademarks of ASSA ABLOY Residential Group. Other products' brand names may be trademarks or registered trademarks of their respective owners and are mentioned for reference purposes only.
© Copyright 2020. All rights reserved. Reproduction in whole or in part without the express written permission of ASSA ABLOY Residential Group is prohibited.