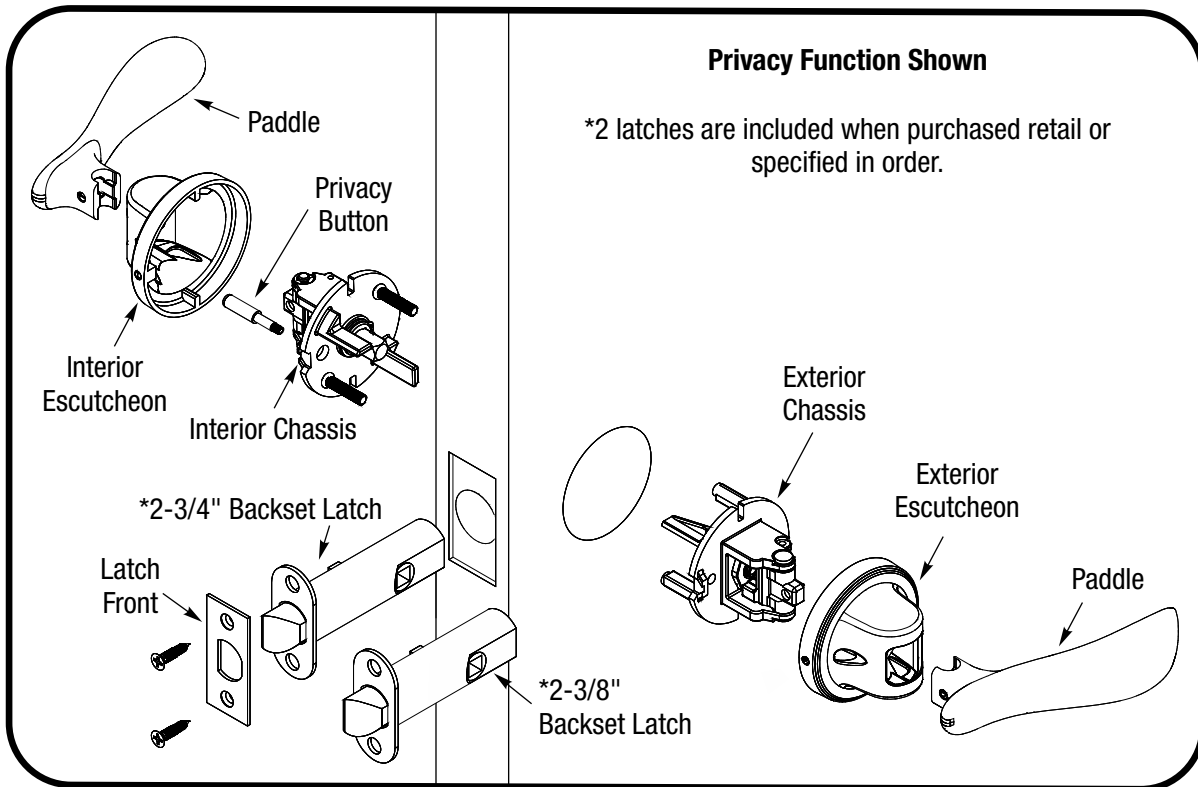
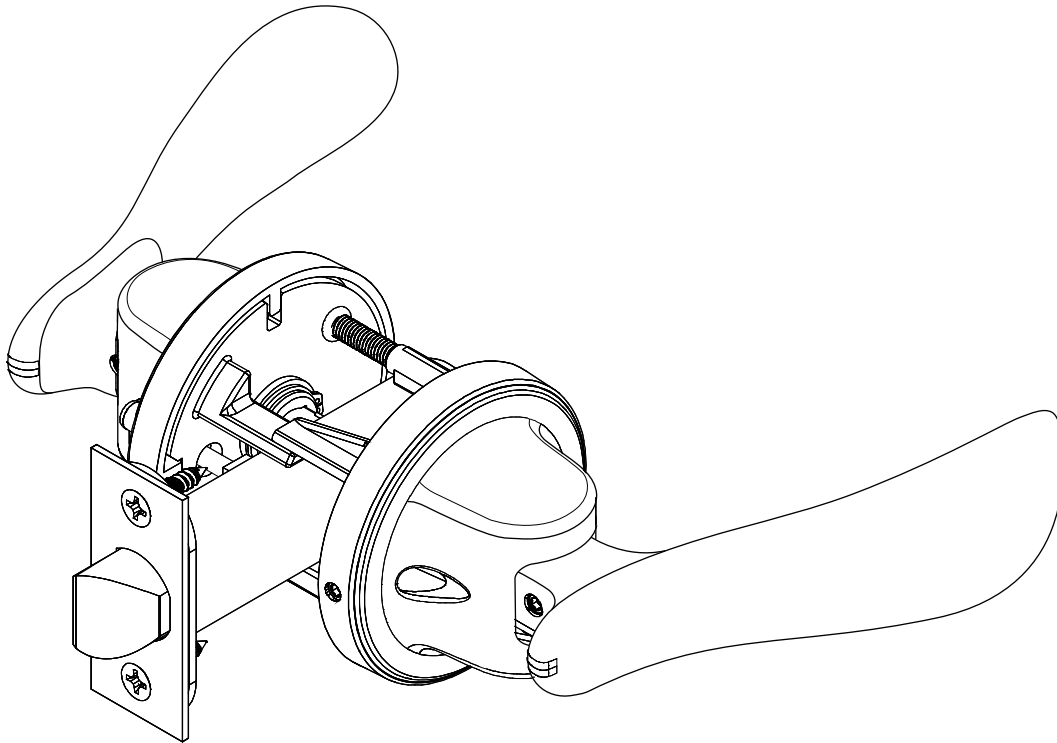


# Pivot Collection™ Navis™ Paddle Installation Instructions

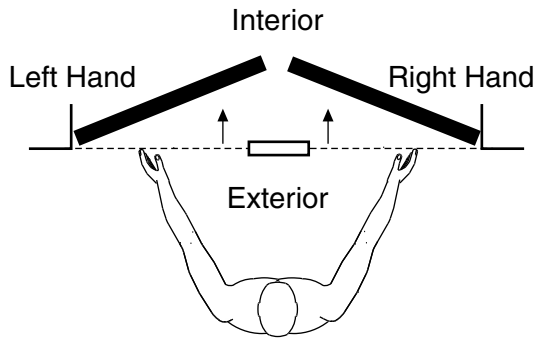


FAILURE TO FOLLOW THESE INSTRUCTIONS COULD RESULT IN DAMAGE TO  
THE PRODUCT AND VOID THE FACTORY WARRANTY



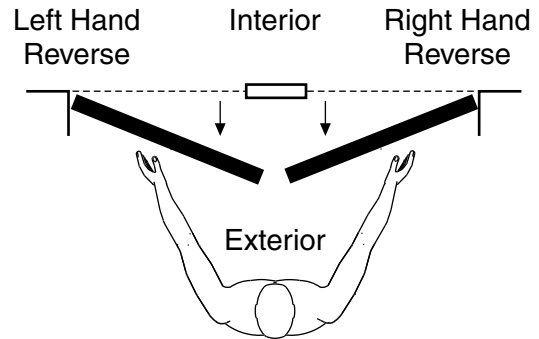
# Determine Handing

## Inswinging Door

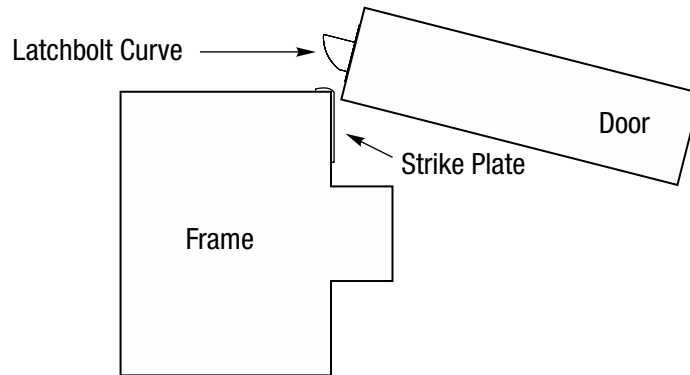


Face a door swinging open **away from** you.  
 If it swings open to the right, it is a right hand door. If it swings open to the left, it is a left hand door.

## Outswinging Door



Face a door swinging open **toward** you.  
 If it swings open to the right, it is a right hand reverse door. If it swings opens to the left, it is a left hand reverse door.



Curve of latchbolt must contact strike plate first.



# Before You Begin

**Before you begin** >>>

**DOWNLOAD THE BILT APP**  
for step-by-step installation instructions & to register your product

**BILT.**

Privacy/Passage			Dummy
template		x1 (extra)	
Privacy Only			
		x4 x2 x1	x2

# 1

## Prepare Door (if necessary)

template

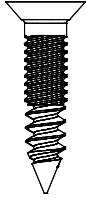
**Drill holes 1/2 way thru door then complete from other side to prevent splitting.**

# 2

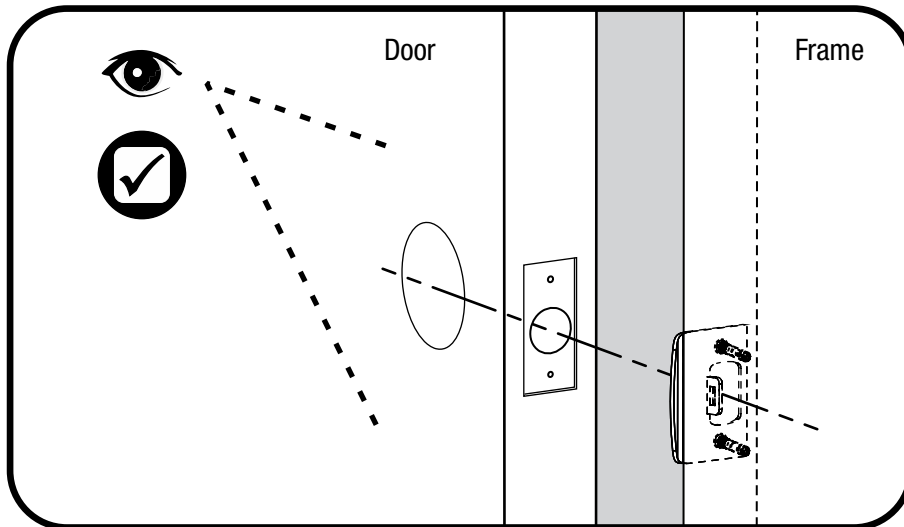
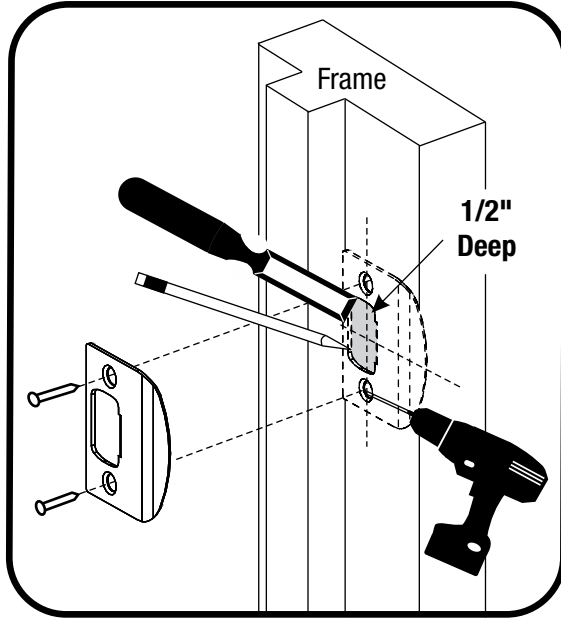
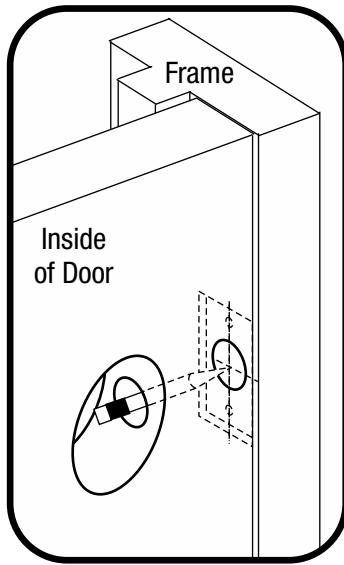
## Prepare Frame & Install Strike Plate



7-16/8-32 x 1" PFHMS



x2

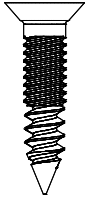


# 3

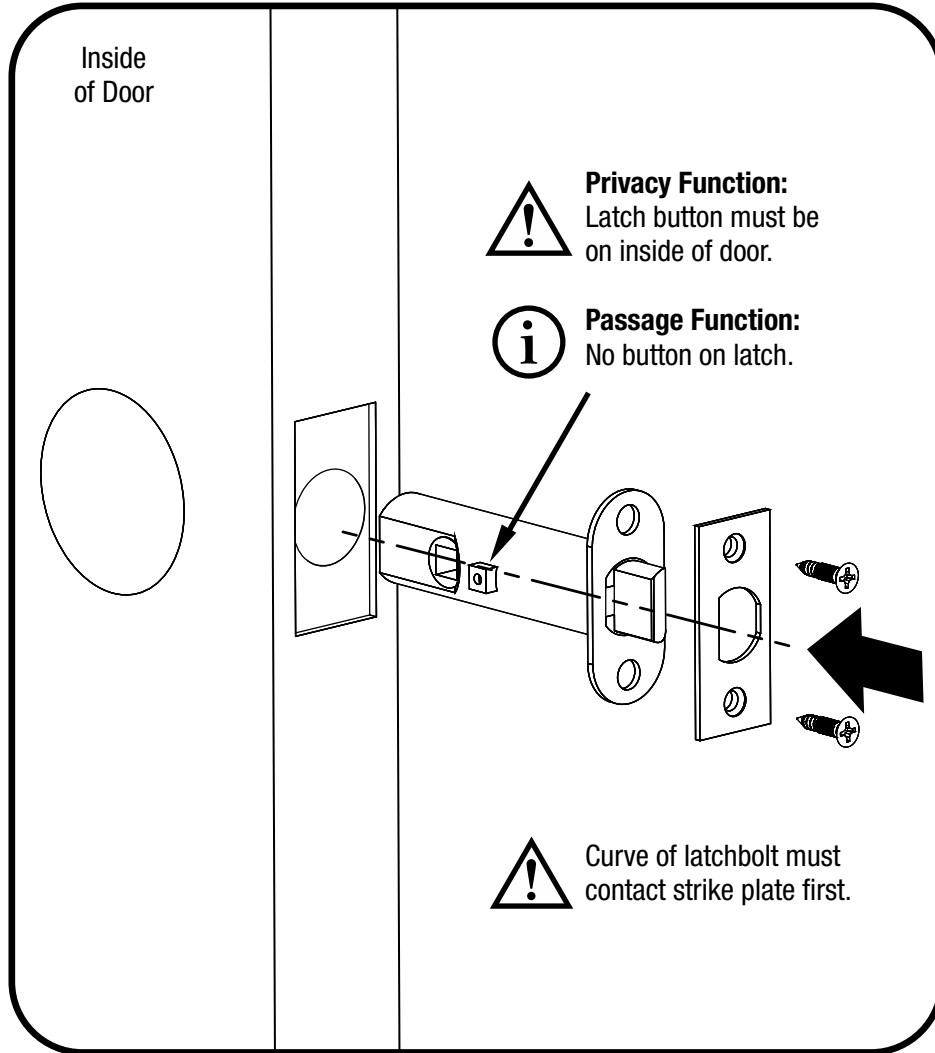
## Install Latch & Latch Faceplate



7-16/8-32 x 1" PFHMS



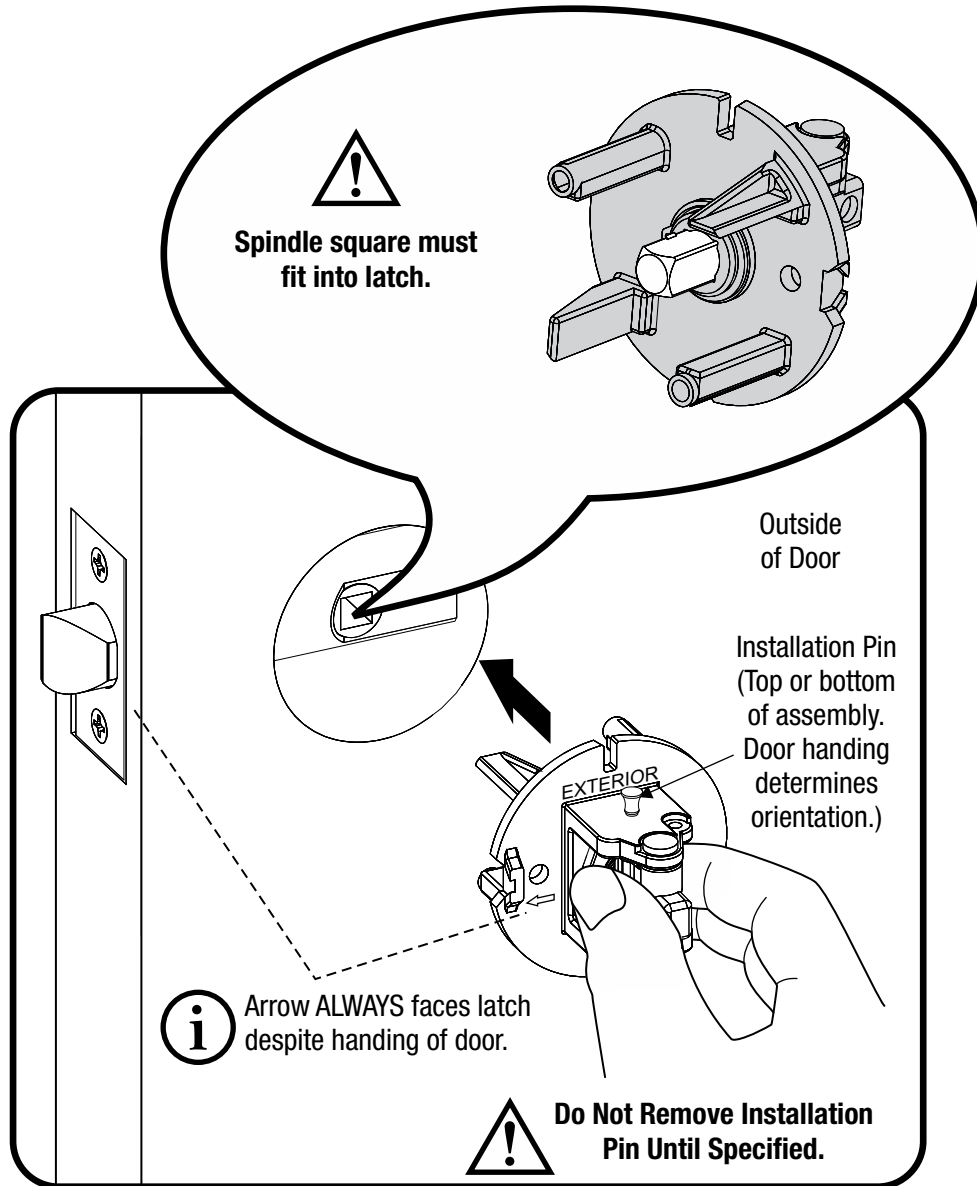
x2



# 4

## Install Exterior Chassis

LH (Left Hand) Door shown



# 5

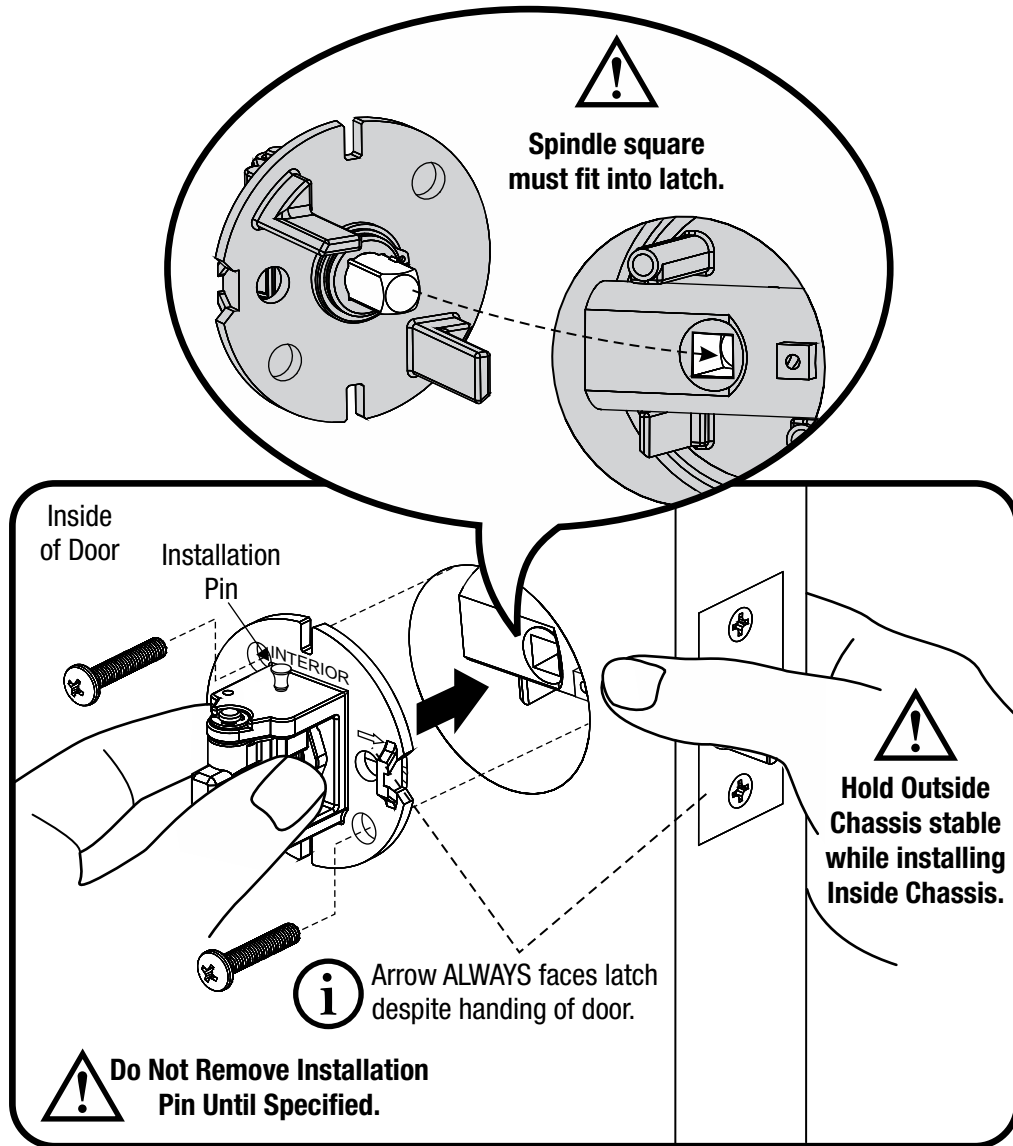
## Install Interior Chassis



#10-32 x 1" PPHMS

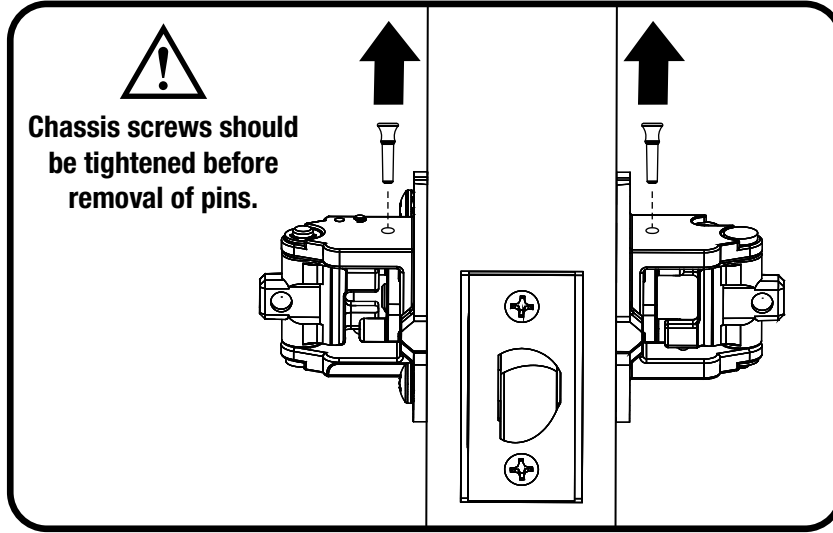


x2



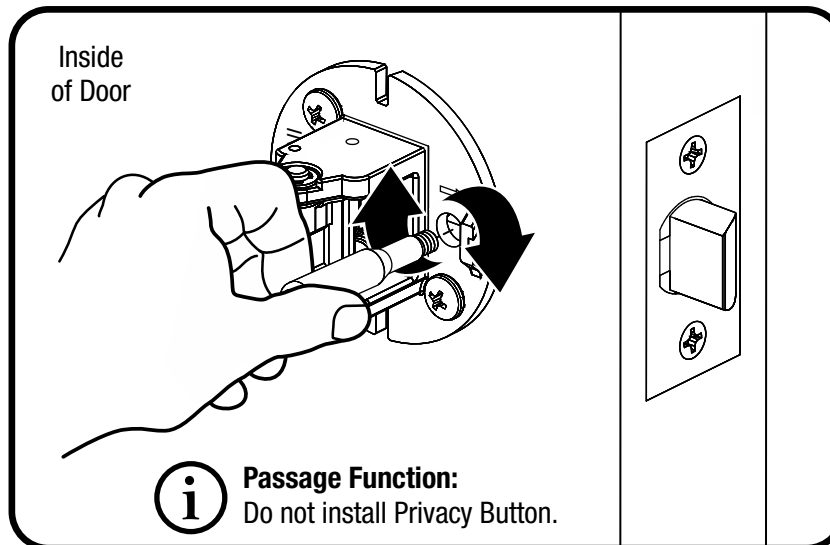
# 6

## Remove Installation Pins

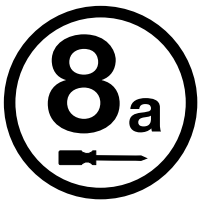


# 7

## Install Privacy Button *(for Privacy Function Only)*



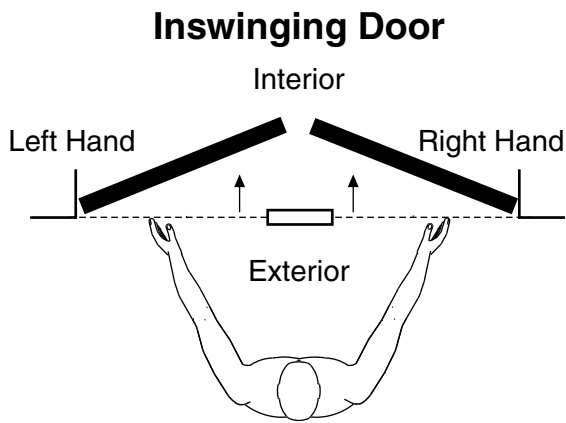




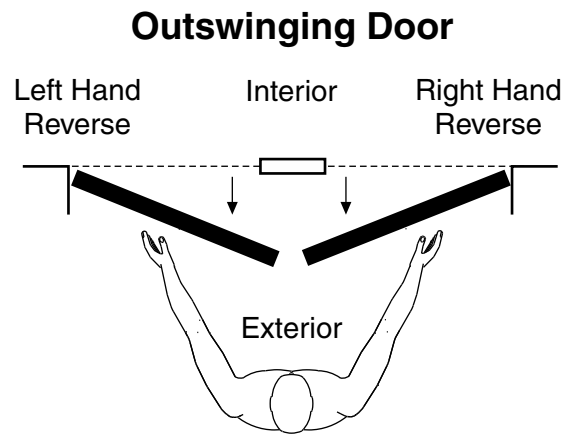
# Determining Selector Screw Location to Block Paddle (*Optional*)

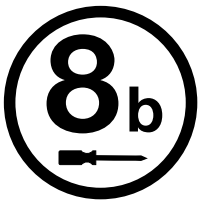
The Selector Screw is used to block PULL function of latch. Once blocked, paddle can be pulled to close door without retracting latch. (Pulling a door closed while retracting latch may result in latch not engaging strike plate and door standing ajar.)

Place Selector Screw on outside of door to select **PUSH** only.



Place Selector Screw on inside of door to select **PULL** only.

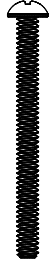




# Block Paddle (Optional)



#4-40 x 1-1/4" Selector Screw




x1

**i** For reverse handed door, Selector Screw installs from the bottom.

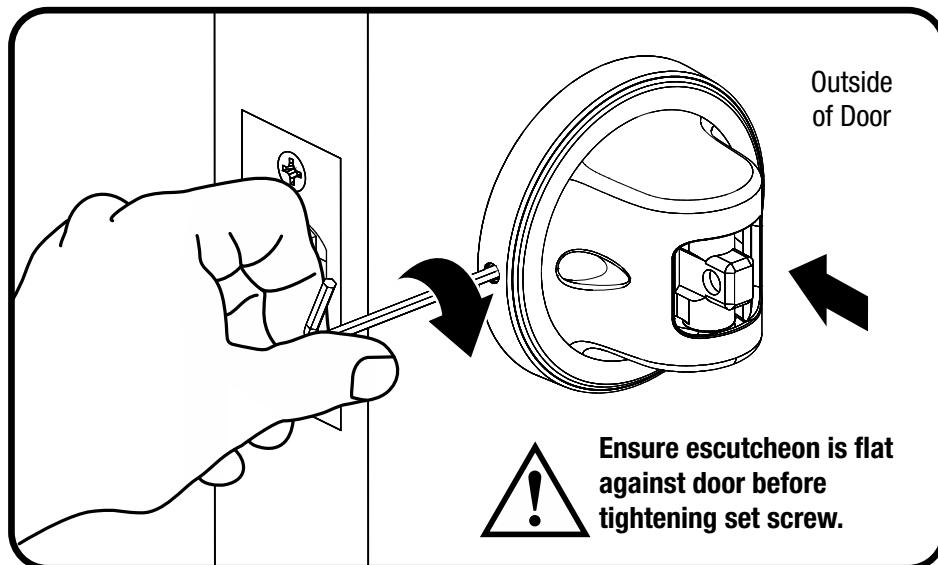
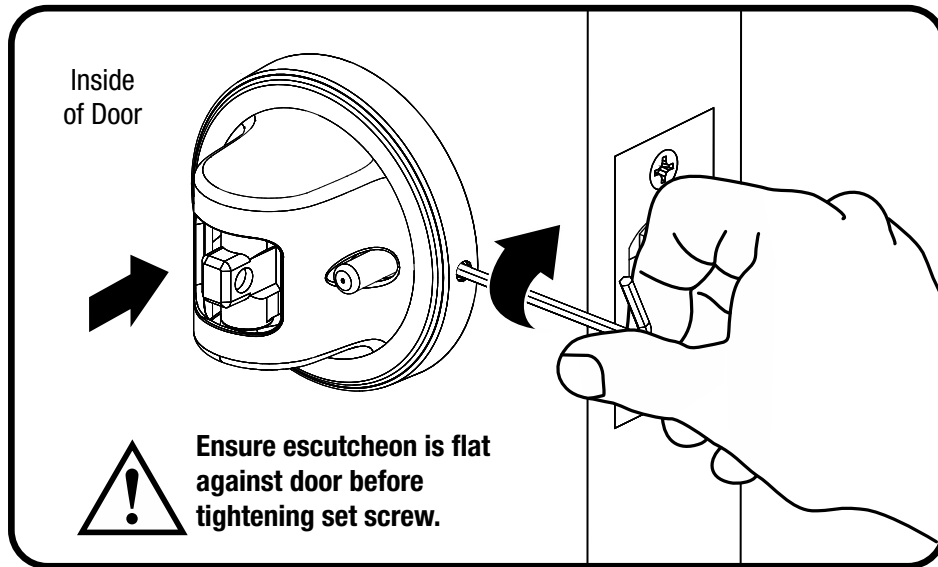
Place Selector Screw on outside of door to select **PUSH** only.

Place Selector Screw on inside of door to select **PULL** only.

 Do not over tighten Selector Screw.

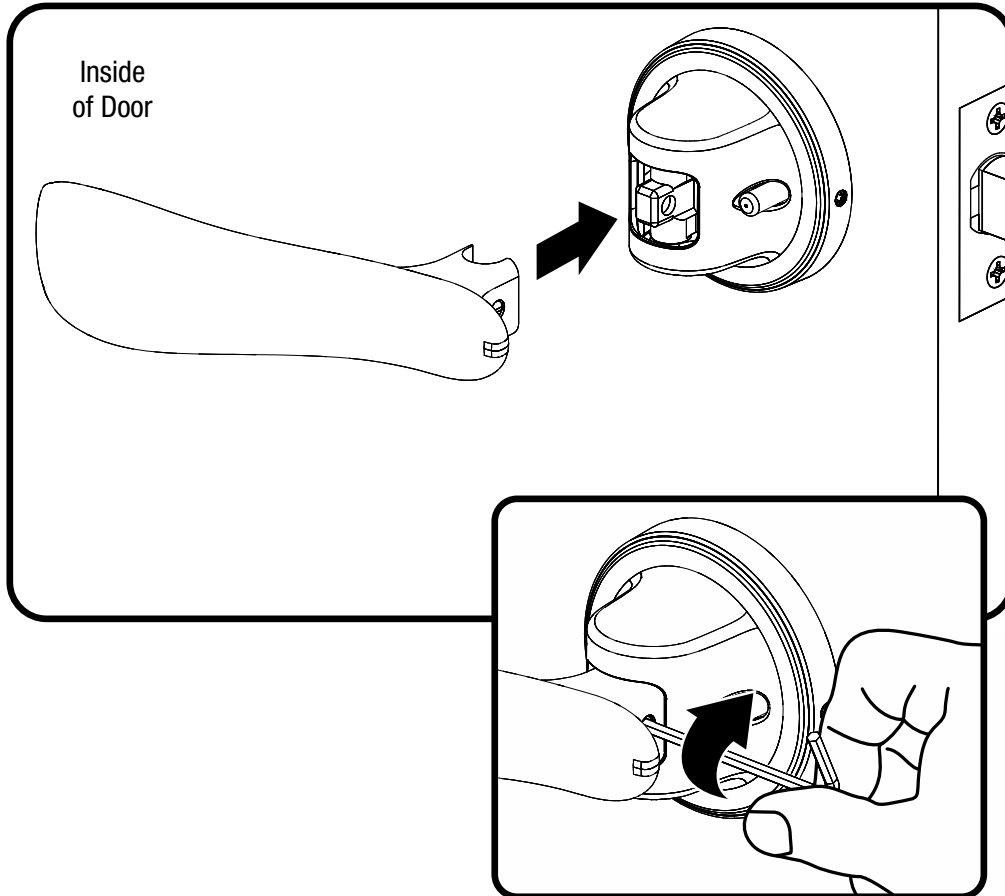
# 9

## Install Escutcheons



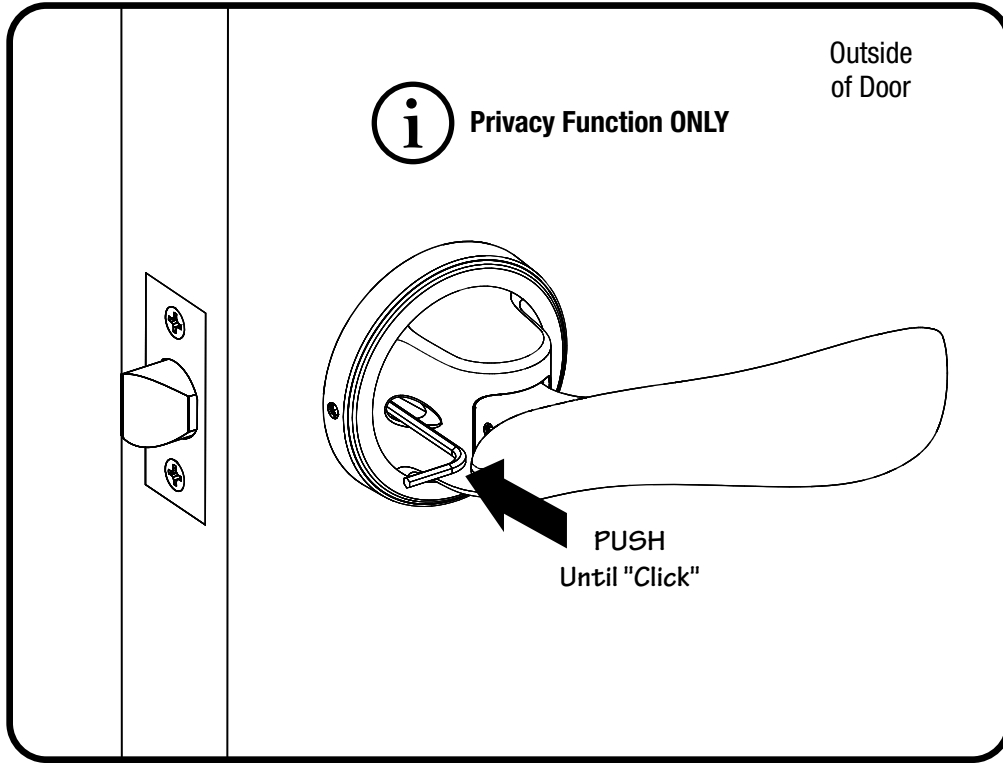
# 10

## Install Paddles





# Emergency Release





# Test Operation

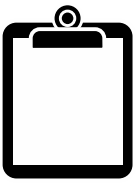
Inside of Door

1. For Passage or Privacy when unlocked, pushing or pulling paddles on either side of door will retract latch.

2. When Privacy Button is pushed (locking door), the outside paddle should not activate latch. Pushing or pulling inside paddle will unlock the door.

If operation does not work smoothly, check all installation steps especially notes.

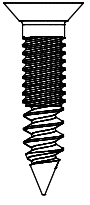
Congratulations, you've installed the  
Yale® Pivot Collection™ Navis™ Paddle!



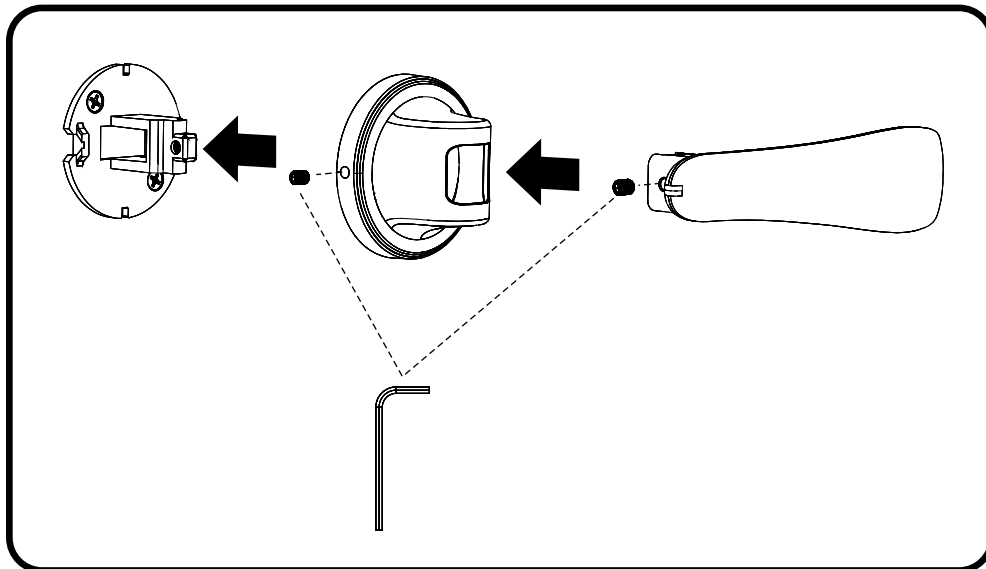
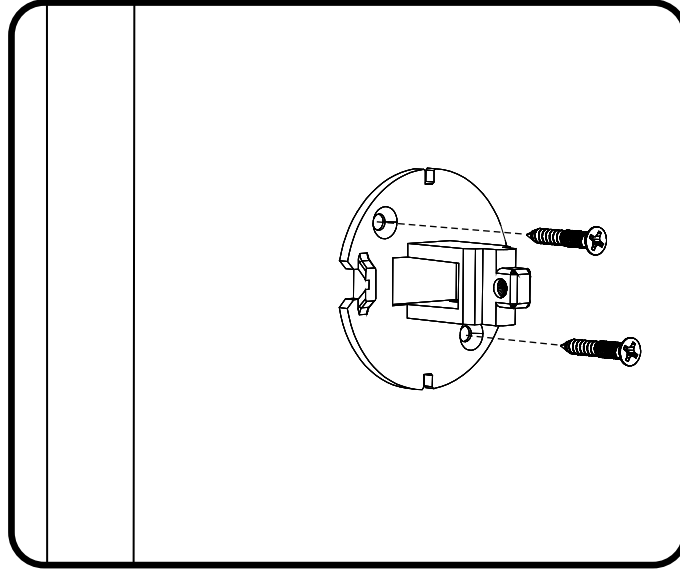
# Dummy Function



7-16/8-32 x 1" PFHMS



x2



## **Yale Locks & Hardware**

Product Support Tel 1-855-213-5841 • [www.yalehome.com](http://www.yalehome.com)

Yale® is a registered trademark of Assa Abloy Residential Group.  
Pivot Collection™ and Navis™ are trademarks of Assa Abloy Residential Group.  
© Copyright 2018. All rights reserved.

Reproduction in whole or in part without the express written permission of Assa Abloy Residential Group is prohibited.