



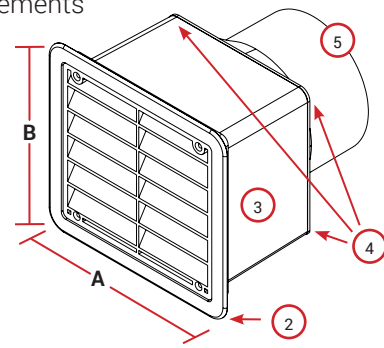
F | SERIES

MODELS: SLIM-F | SEB-F | MDEB-F | DVEB-F | DHEB-F | TVEB-F | THEB-F

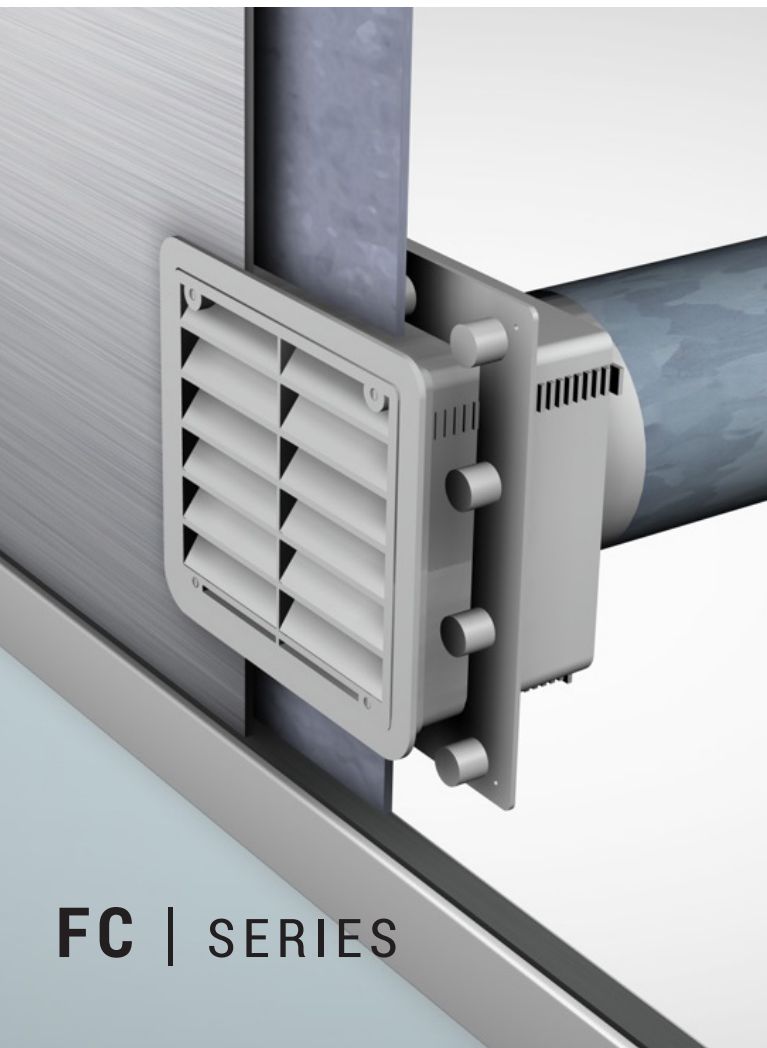
Installation Procedure:

1. Rough opening size requirements

	(A) LENGTH	(B) WIDTH
SLIM-F	9.0"	4.6"
SEB-F	8.9"	8.1"
MDEB-F	8.9"	8.1"
DVEB-F	9.0"	13.0"
DHEB-F	13.0"	9.0"
TVEB-F	9.0"	13.0"
THEB-F	13.0"	9.0"



- Apply a continuous bead of construction sealant around the backside of the perimeter mounting flange. (Recommended Sealant: Sikaflex- 201 or other high grade exterior sealant. Sealant not included)
- Insert exhaust box into exterior rough opening, level horizontally and vertically.
- Pull rear mounting straps taut and mechanically fasten to framing member.
- Insert properly sized metal duct(s) into rear duct port assembly and secure with metal duct tape. (Duct tape not included)



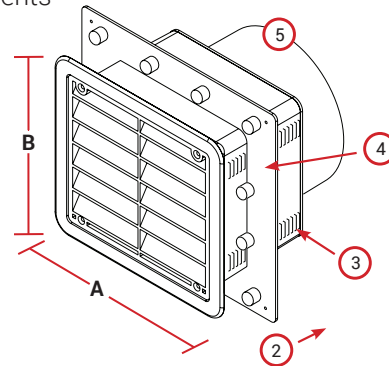
FC | SERIES

MODELS: SLIM-FC | SEB-FC | MDEB-FC | DVEB-FC | DHEB-FC | TVEB-FC | THEB-FC

Installation Procedure:

1. Rough opening size requirements

	(A) LENGTH	(B) WIDTH
SLIM-FC	9.0"	4.6"
SEB-FC	8.9"	8.1"
MDEB-FC	8.9"	8.1"
DVEB-FC	9.0"	13.0"
DHEB-FC	13.0"	9.0"
TVEB-FC	9.0"	13.0"
THEB-FC	13.0"	9.0"



- Apply a continuous bead of construction sealant around the backside of the perimeter mounting flange. (Recommended Sealant: Sikaflex- 201 or other high grade exterior sealant. Sealant not included)
- Insert exhaust box into exterior rough opening, level horizontally and vertically.
- Slide compression plate over back side of cavity box tight against metal panel. Install clips and mechanically fasten to create compression.
- Insert properly sized metal duct(s) into rear duct port assembly and secure with metal duct tape. (Duct tape not included)



LIMITED TEN YEAR WARRANTY

Models; SLIM,SEB, MDEB, DVEB, DHEB, THEB, TVEB

1. Scope of Coverage

This warranty applies to only new exhaust / intake termination cavity boxes and in-line sleeves manufactured by FSH Industries and installed according to FSH Industries Instructions.

2. FSH Industries' Warranty

Limited Ten Year Warranty: The Exhaust / Intake Termination Cavity Boxes and In-Line Sleeve are warranted to be free from defects in materials and workmanship under normal use and service for the exhausting of residential dryer, bathroom and kitchen hood fans and fresh air make up for a period of ten years from purchase date, subject to the terms, conditions, and limitations described below. Custom colored boxes and or sleeves offer warranty coverage exclusively for UV protection and colorfastness.

3. What Is Not Covered

A. Exclusions:

The above warranty does not apply:

- To conditions resulting from a defect in a component or part which is not part of the FSH Industries exhaust / intake termination cavity boxes and in-line sleeves.
- To conditions resulting from a significant departure from FSH Industries' installation instructions.
- To conditions resulting from failure to provide reasonable and necessary maintenance in accordance with FSH Industries' operating and maintenance instructions.
- To conditions resulting from any misuse, abuse, neglect, accident, alterations or force majeure.
- To normal fading and minor deterioration of exterior surface resulting from exposure to the elements, except conditions that do or will affect performance.

B. No Warranty of Performance of the Exhaust Termination Boxes and In-Line Sleeves:

FSH Industries makes no warranty as to the performance of its exhaust / intake cavity boxes and in-line sleeves as to any particular air flow, since this depends on the different type of devices used and which cannot be controlled.

C. Limitations on Exclusions from Coverage:

The above warranty shall not be considered to be violated or its coverage in any way reduced by conditions that may occur in the normal operation of the exhaust / intake termination cavity boxes and in-line sleeves.

4. Some Things the buyer Must Do

A. Proper Installation:

Installations MUST be preformed according to the installations included with the product.

B. Routine Maintenance:

Provide reasonable and necessary maintenance in accordance with FSH Industries' operating and maintenance instructions.

C. Keeping FSH Industries Informed:

If it appears to you that any warranted component or part is not functioning properly, promptly notify FSH Industries. Early attention to a minor problem may help avoid serious problems later.

5. What FSH Industries Will Do

A. Repair or Service:

If a defect in material or workmanship becomes evident during the warranty period, FSH Industries will repair at its option or replace the malfunctioning exhaust / intake termination cavity box or in-line sleeve with a new exhaust / intake termination cavity box or in-line sleeve of at least the same quality and within a reasonable time.

B. Who Will Provide Warranty Service?

Service will be provided by FSH Industries' authorized representative or distributor in your area. This will ordinarily be the manufacturer's representative or distributor from whom you purchased your exhaust /intake termination cavity box and or in-line sleeve. If there is no authorized manufacturer's representative or distributor in your area then write FSH Industries, LLC. directly at 8022 Providence Rd. Suite: 500-145 Charlotte, NC 28277 attention Warranty Claims Department or email us at: customerservice@xventbox.com. Please provide the model number, date of purchase and the nature of the defect or problem. To verify that your warranty is still in effect, you should be prepared to furnish evidence of date of purchase and evidence that the installation was preformed accordance to the instructions included with the product.

C. Charges if Replacement is Required (not covered under warranty):

You are responsible for the payment of any cost and expenses of disassembly, removal and re-installation of the exhaust termination box or in-line sleeve, and any other incidental services involved. None of such cost or expenses are covered by this warranty, and FSH Industries is not liable for any of them.

6. No Other Express Warranties – These Remedies are Exclusive

Unless otherwise explicitly agreed to in writing, it is understood that this is the only written warranty given by FSH Industries and FSH Industries neither assumes nor authorizes anyone to assume for it any other obligations or liability in connection with its products. IN NO EVENT SHALL FSH INDUSTRIES BE LAIBLE FOR DAMAGE TO PROPERTY, LOST PROFITS, INJURY TO GOODWILL, OR ANY OTHE SPECIAL, INCIDENTAL, OR CONSEQUENTIAL DAMAGES RESULTING FROM ANY DEFECTIVE EXHAUST / INTAKE TERMINATION CAVITY BOX OR IN-LINE SLEEVE OR ANY BREACH OF THE EXPRESS WARRANTY, FOR NEGLIGENCE OR OTHERWISE. Some states do not allow the exclusion or limitation of incidental or consequential damages, so this exclusion or limitation may not apply to you. The above warranty gives you specific legal rights, and you mayalso have other rights which vary from state to state.

08/18 XVB/LW510

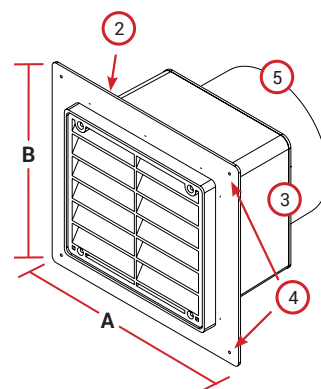
OPERATION AND MAINTENANCE PROCEDURES

MODELS: SLIM-S | SEB-S | MDEB-S | DVEB-S | DHEB-S | TVEB-S | THEB-S

Installation Procedure:

1. Rough opening size requirements

	(A) LENGTH	(B) WIDTH
SLIM-S	9.0"	4.5"
SEB-S	8.5"	7.6"
SEBRND-S	8.5"	7.7"
MDEB-S	8.5"	7.6"
DVEB-S	8.5"	12.6"
DHEB-S	12.6"	8.5"
TVEB-S	8.5"	12.6"
THEB-S	12.6"	8.5"



- Apply a continuous bead of construction sealant around the backside of the perimeter mounting flange.
(Recommended Sealant: Sikaflex- 201 or other high grade exterior sealant. Sealant not included)
- Insert exhaust box into exterior rough opening, level horizontally and vertically.
- Mechanically fasten with non-corrosive 3/16" X 2" screws:
Four (4) for the SLIM-S, SEB-S and MDEB-S models
Six (6) for the DVEB-S, DHEB-S, TVEB-S and THEB-S models
(Screws not included)
- Insert properly sized metal duct(s) into rear duct port assembly and secure with metal duct tape.
(Duct tape not included)

Operation and Maintenance Procedures

Our products are designed to require minimum or no maintenance. The recessed cavity boxes and in-line sleeves contain only one or two moving parts (gravity dampers) depending on the model.

Annual Inspections and Maintenance:

An annual visual inspection of the dryer, bathroom and residential kitchen exhaust termination box or sleeve is recommended.

Dryer Applications:

Inspection of exhaust boxes or in-line sleeves used in conjunction with dryer exhaust may require more frequent inspection due to frequency of use.

Required:

Removal of all visible lint in and around the box or sleeve, particularly around the damper frame assembly and gravity damper.

Recommended:

Confirm that the duct between the dryer and the termination box is free of lint build up.

X Vent Box

8022 Providence Rd. Suite: 500-145
Charlotte, NC 28277
customerservice@xventbox.com.

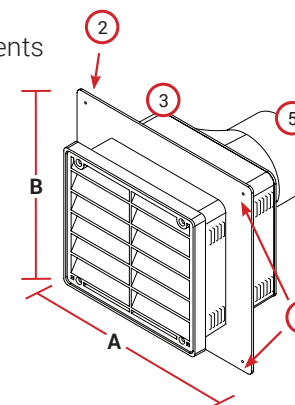
INSTALLATION

MODELS: SLIM-BR | SEB-BR | MDEB-BR | DVEB-BR | DHEB-BR
TVEB-BR | THEB-BR

Installation Procedure:

1. Rough opening size requirements

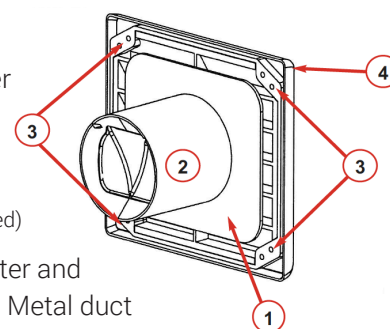
	(A) LENGTH	(B) WIDTH
SLIM-BR	9.0"	4.5"
SEB-BR	8.5"	7.6"
MDEB-BR	8.5"	7.6"
DVEB-BR	8.5"	12.6"
DHEB-BR	12.6"	8.5"
TVEB-BR	8.5"	12.6"
THEB-BR	12.6"	8.5"



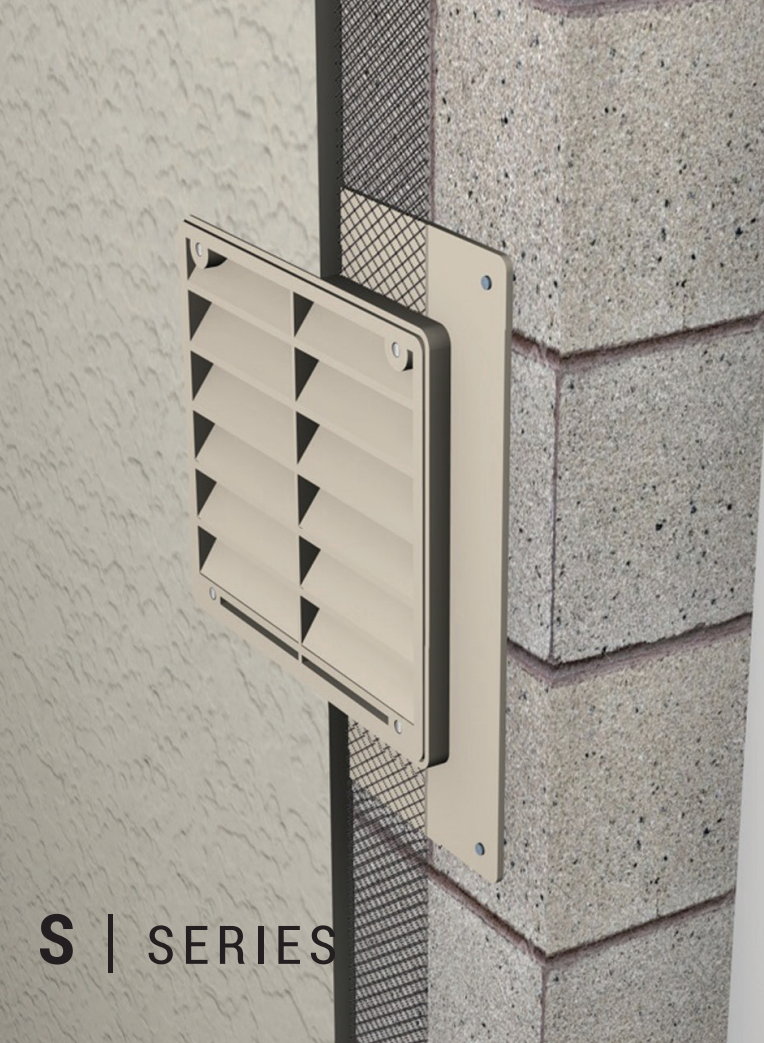
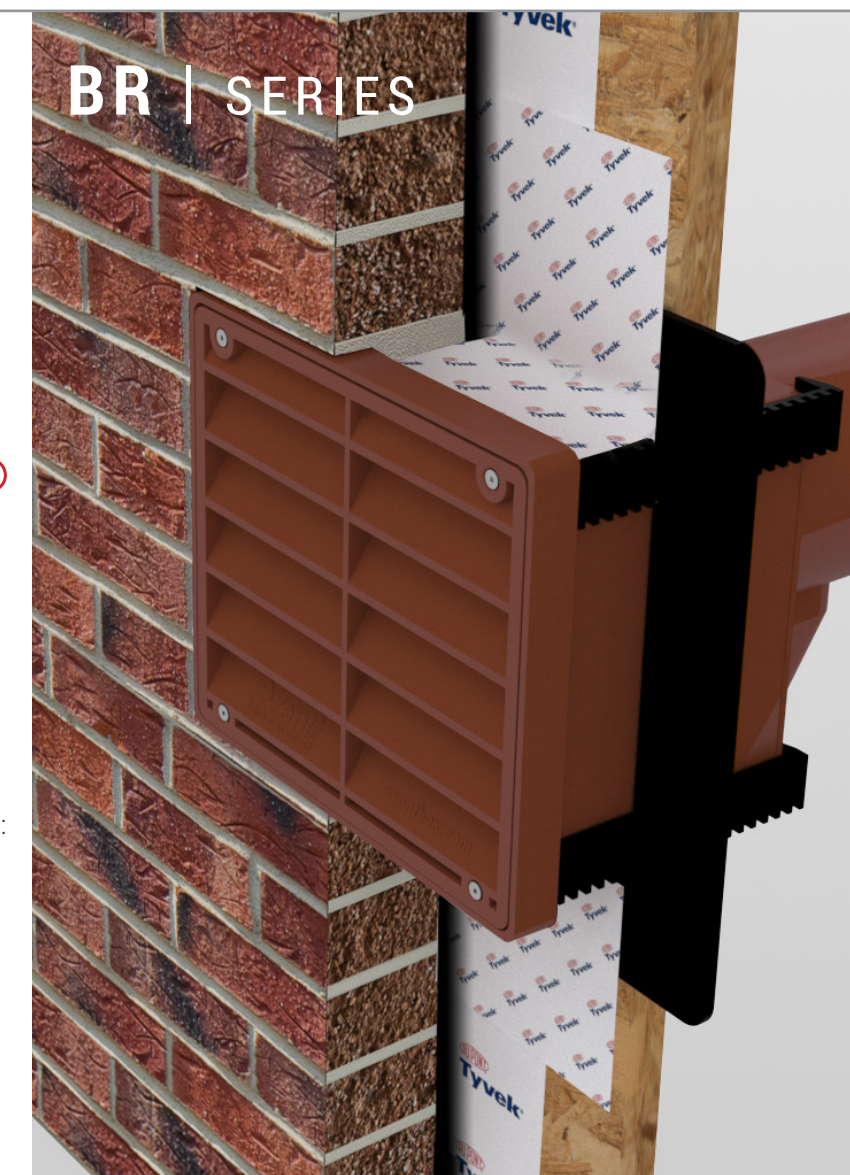
MODELS: 4ILS-8F | 6ILS-8F | 4ILS-12V | 4ILS-12H | 6ILS-12V | 6ILS-12H
4/4ILS-12V | 4/4ILS-12H | 4/6ILS-12V | 4/6ILS-12H

Installation Procedure:

- Apply a continuous bead of construction sealant around the backside of the perimeter mounting flange.
(Recommended Sealant: Sikaflex- 201 or other high grade exterior sealant. Sealant not included)
- Moisten rubber seal with water and insert sleeve into duct. Note: Metal duct should be true round and free of defects to insure a proper seal.
- Mechanically fasten front louver frame to exterior wall surface with 3/16" X 2 1/4" flat head stainless steel screws:
Four (4) for 4ILS-8F and 6ILS-8F models Six (6) for 4ILS-12V, 4ILS-12H, 6ILS-12V, 6ILS-12H, 4/4ILS-12V, 4/4ILS-12H, 4/6ILS-12V and 4/6ILS-12H models
(Screws not included)
- Attach front louver to front louver frame with the stainless steel screws provided.



- Apply a continuous bead of construction sealant around the backside of the perimeter mounting flange.
(Recommended Sealant: Sikaflex- 201 or other high grade exterior sealant. Sealant not included)
- Insert exhaust box into exterior rough opening, level horizontally and vertically.
- Mechanically fasten with non-corrosive 3/16" X 2" screws:
Four (4) for SLIM-BR, SEB-BR and MDEB-BR models
Six (6) for DVEB-BR, DHEB-BR, TVEB-BR and THEB-BR models (Screws not included)
- Insert properly sized metal duct(s) into rear duct port assembly and secure with metal duct tape.
(Duct tape not included)



S | SERIES

BR | SERIES

ILS | SERIES