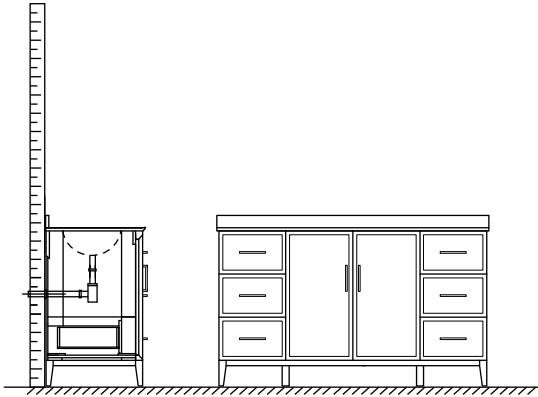


WYNDHAM COLLECTION



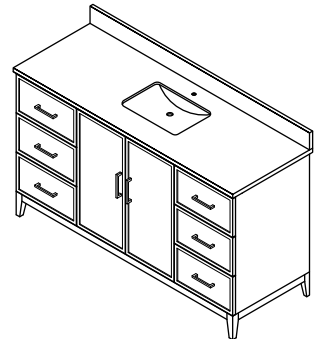
- Prior to installation please check received items against the "Packing List". Please report any missing items to your retailer immediately.

- Protect all surfaces from sharp objects, high heat sources, direct prolonged sunlight and chemical hazards.

- Professional installation recommended.

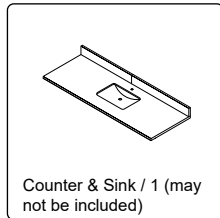
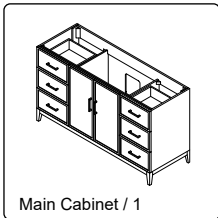
- Backsplash comes in two pieces.

- **Please install on a level surface. If minor door and drawer alignment is required, please follow the easy directions on the next page.**

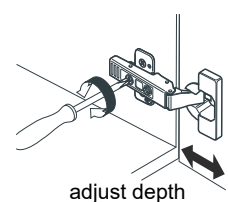
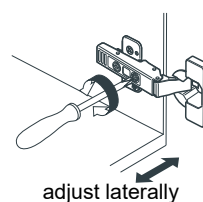
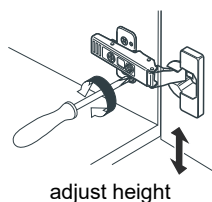
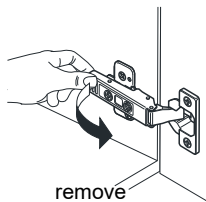
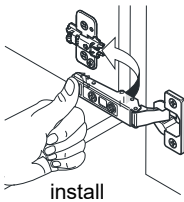


PACKING LIST

(Not all components may be included, depending upon your purchase)



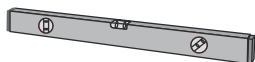
HOW TO ADJUST HINGES (if required)



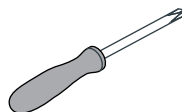
REQUIRED TOOLS NOT IN BOX



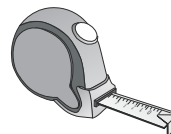
Silicone sealant



Spirit Level



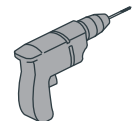
Phillips Screwdriver



Tape measure



Pencil



Electric Drill

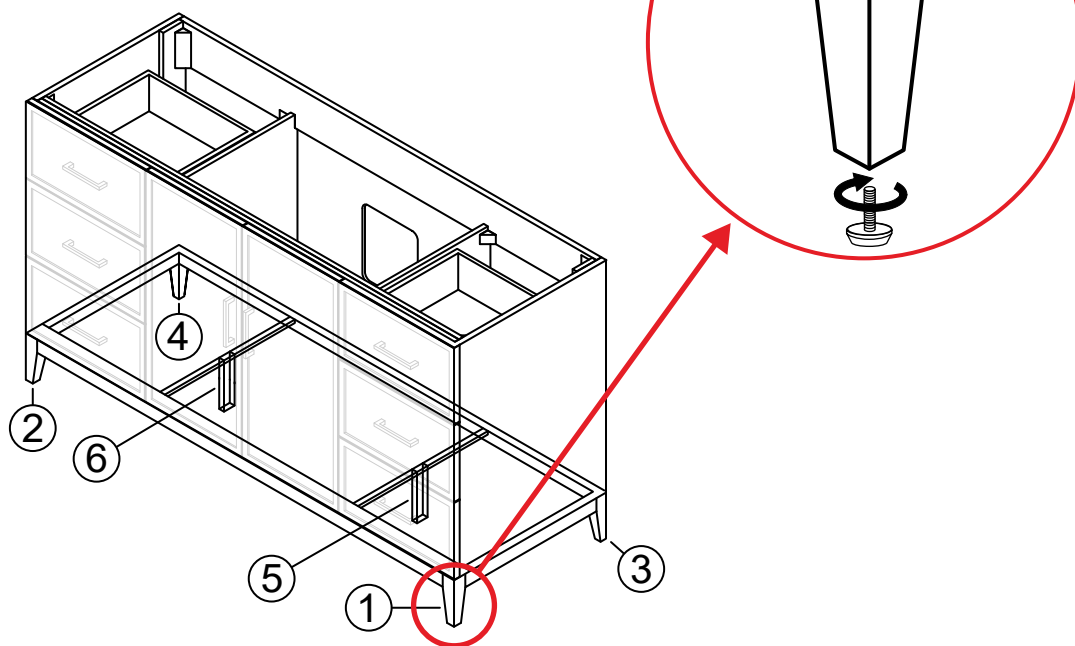
WC-7171-60-SGL Installation Guide

WYNDHAM COLLECTION

INSTALLATION INSTRUCTIONS



Scan the QR code with your phone to watch detailed video instructions or visit www.wyndhamcollection.com/alignment



① CABINET ALIGNMENT GUIDE

ALL cabinets are aligned, and metal trim is adjusted on a level floor before packaging.

After shipping and reaching its destination, the cabinet doors and drawers may require minor alignment, depending on the condition of the floor where it will be installed.

DO NOT move/adjust the door hinges or drawer glides before leveling/adjusting the cabinet on the floor.

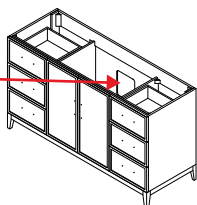
Start by adjusting the back two feet #3 and #4 by bringing the cabinet to a level position. Use a spirit level to ensure accuracy. After adjusting all four feet (front and back) check the metal trim alignment. If the metal trim lines are not aligned, start adjusting the middle two feet #5 and #6 (under the cabinet) by moving the adjustable feet UP or DOWN depending on the condition of your floor. After leveling the metal trim lines using the middle feet (under the cabinet) make sure all 6 vanity feet are firmly resting on the floor and the cabinet is perfectly level.

By following the above instructions all the metal trim lines should now be aligned. Minor adjustment may be necessary by adjusting the door hinges and drawer glides, see How To Adjust Hinges on page 1, and How to Adjust Drawer Slides on page 4.

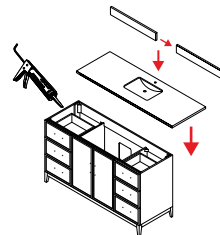
WC-7171-60-SGL
Installation Guide

WYNDHAM COLLECTION

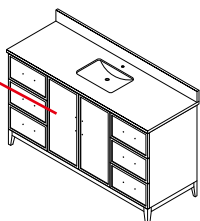
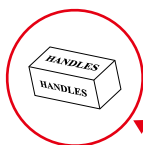
Pre-cut
backboard



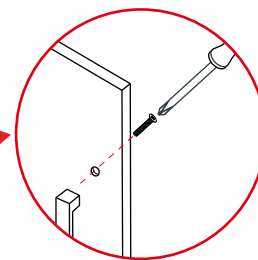
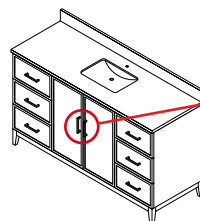
- ② Backboard is pre-cut for ease of installation for hot and cold valves and drains.



- ③ Install the counter. Seal around the top of the cabinet with clear silicone sealant. Do not over apply. Allow to dry 24 hours for proper curing.

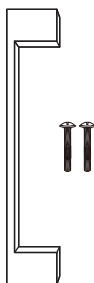


- ④ The handles are safely stored for transport in a box inside of the cabinet. Look inside the vanity for the box with your handles.

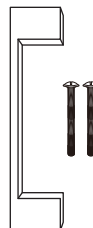


- ⑤ Unpack the handles and install them on the vanity. Do not over tighten when attaching.

Long handles are for doors



Short handles are for drawers

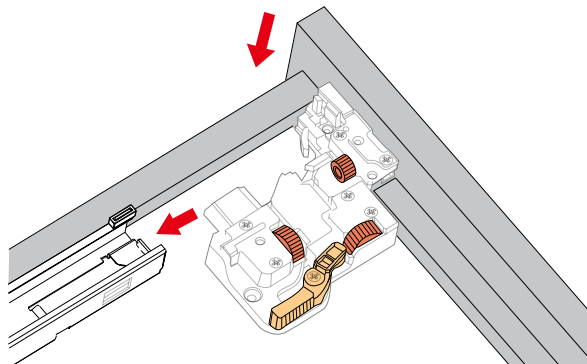


- ⑥ Short screws are for the door handles and long screws are for the drawer handles.

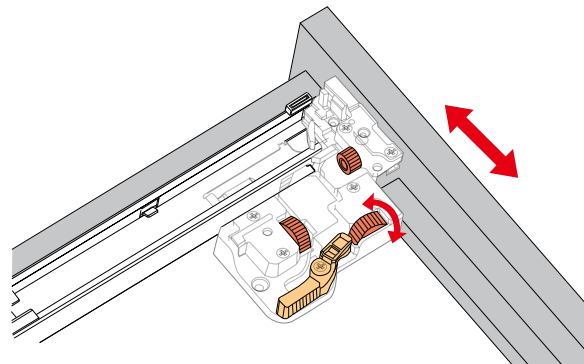
WC-7171-60-SGL Installation Guide

WYNDHAM COLLECTION

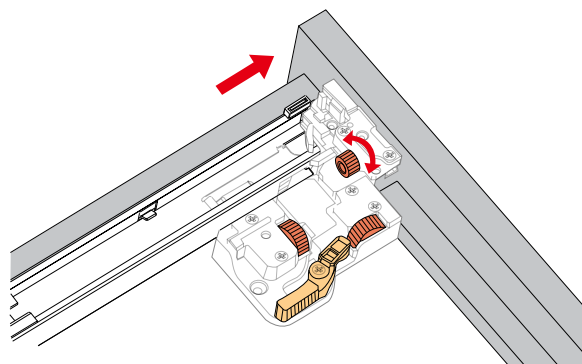
HOW TO ADJUST DRAWER SLIDES (if required)



Up and Down Adjustment



Side Adjustment



Depth Adjustment

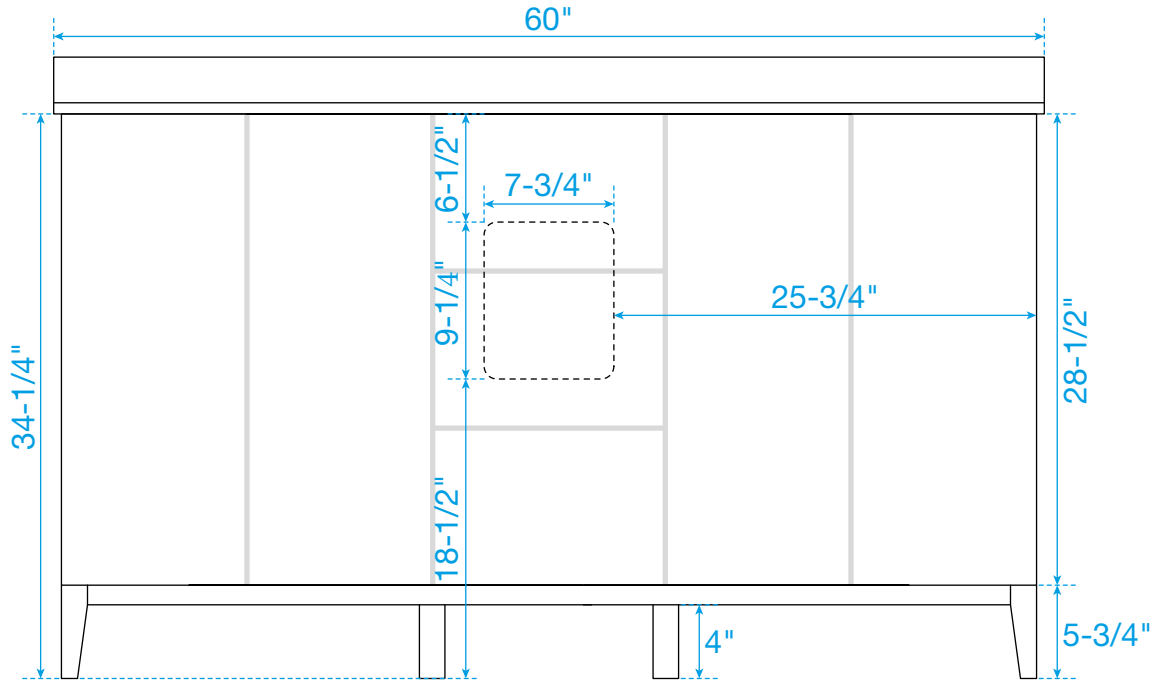


Scan the QR code with your phone to watch detailed video instructions or visit www.wyndhamcollection.com/3dslides

WC-7171-60-SGL
Installation Guide

WYNDHAM COLLECTION

Backboard Cutouts



*Note: All measurements are $\pm 1/4$ ".

WC-7171-60-SGL
Installation Guide