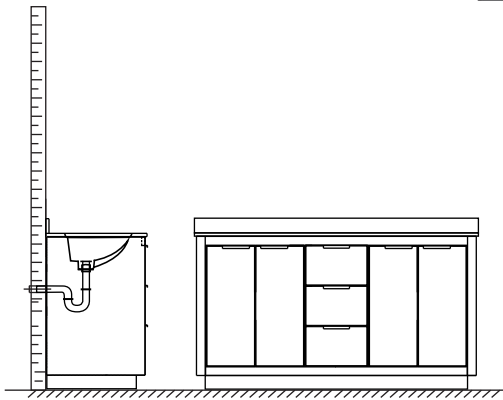
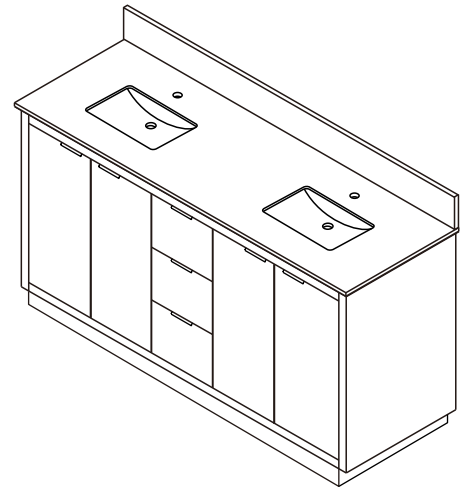


WYNDHAM COLLECTION

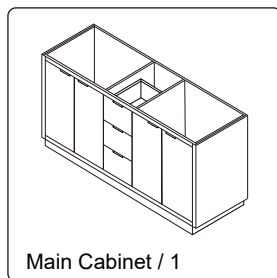
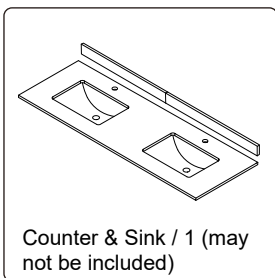


- Prior to installation please check received items against the "Packing List". Please report any missing items to your retailer immediately.
- Protect all surfaces from sharp objects, high heat sources, direct prolonged sunlight and chemical hazards.
- Professional installation recommended.
- Backsplash comes in two pieces.
- Please install on a level surface. If minor door and drawer alignment is required, please follow the easy directions below.

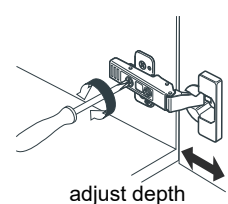
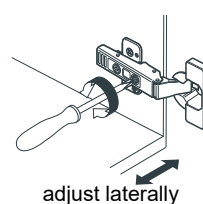
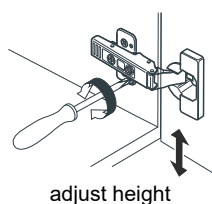
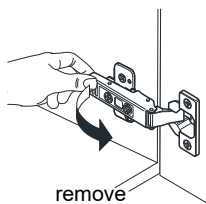
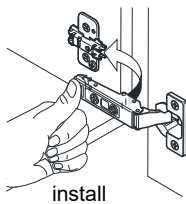


PACKING LIST

(Not all components may be included, depending upon your purchase)



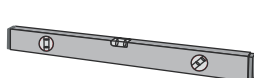
HOW TO ADJUST HINGES (if required)



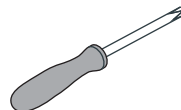
REQUIRED TOOLS NOT IN BOX



Silicone sealant



Spirit Level

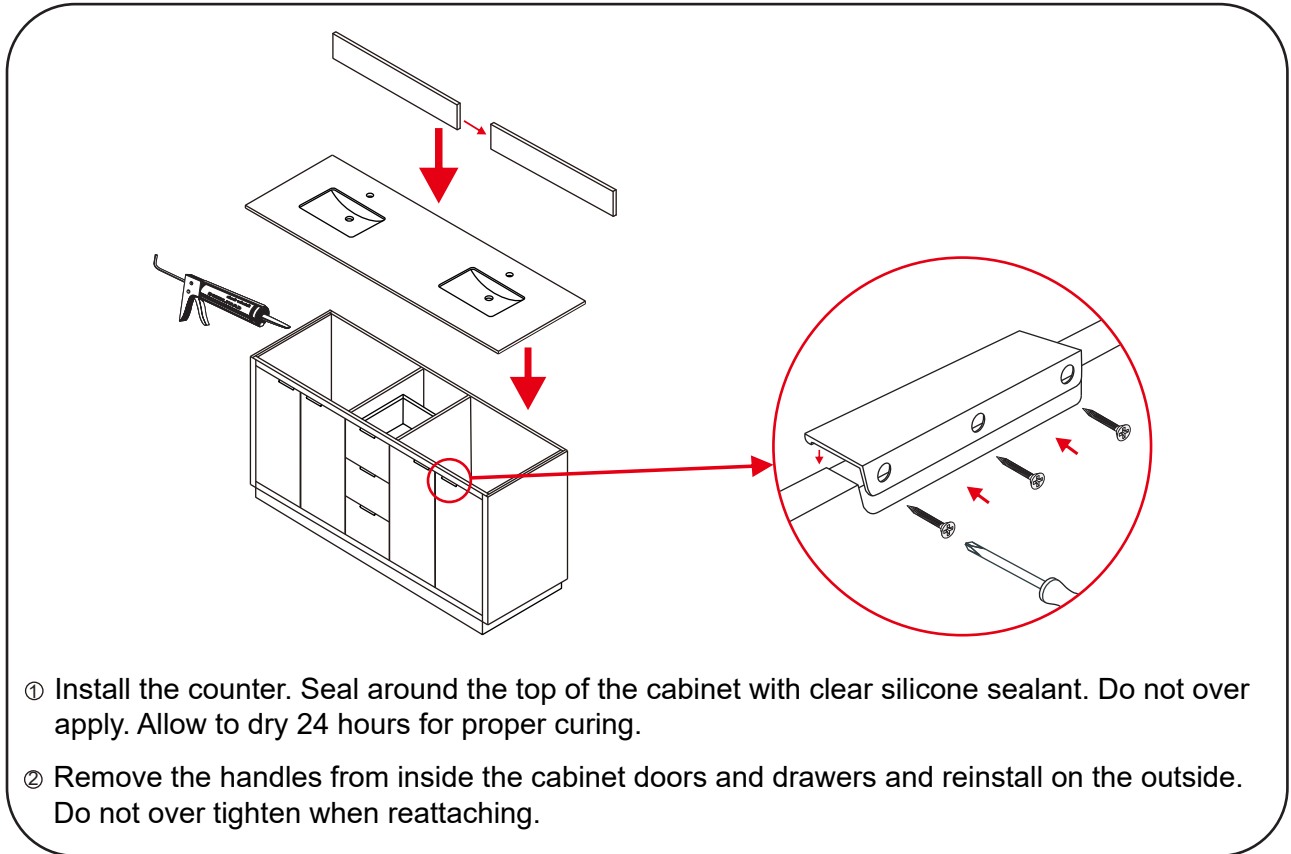


Phillips Screwdriver

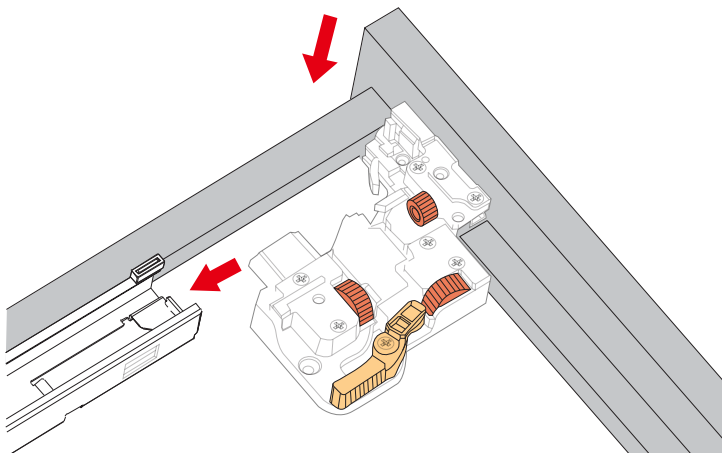
WC-2828-80-DBL Installation Guide

WYNDHAM COLLECTION

INSTALLATION INSTRUCTIONS



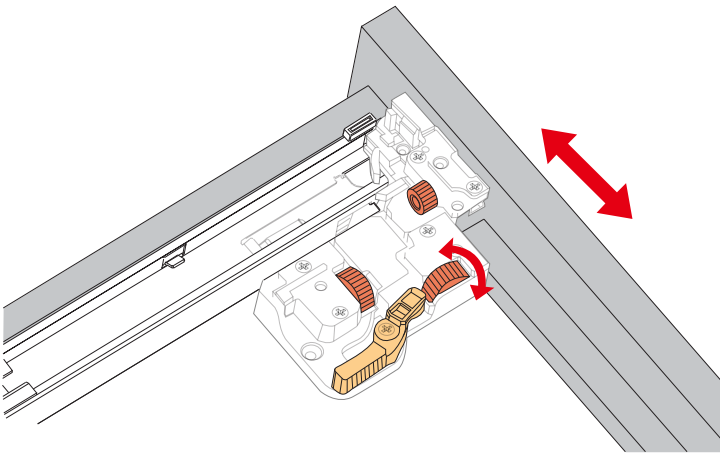
HOW TO ADJUST DRAWER SLIDES (if required)



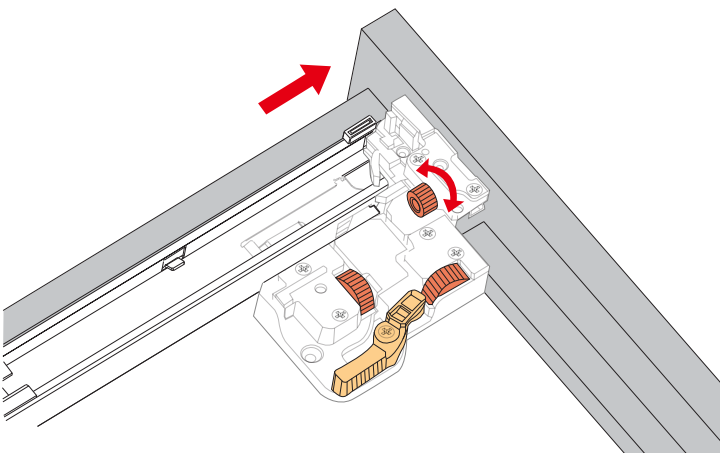
Up and Down Adjustment

WC-2828-80-DBL
Installation Guide

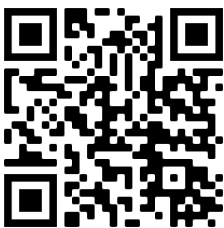
WYNDHAM COLLECTION



Side Adjustment



Depth Adjustment



Scan the QR code with your phone to watch detailed video instructions or visit www.wyndhamcollection.com/3dslides

WC-2828-80-DBL
Installation Guide