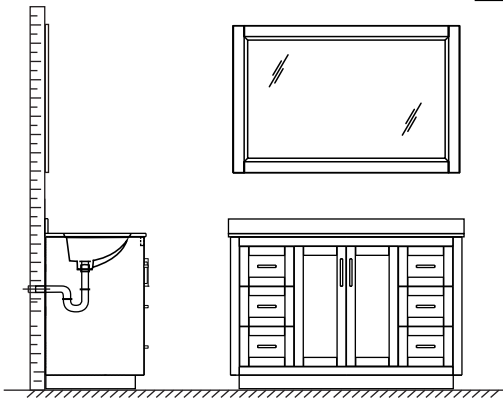
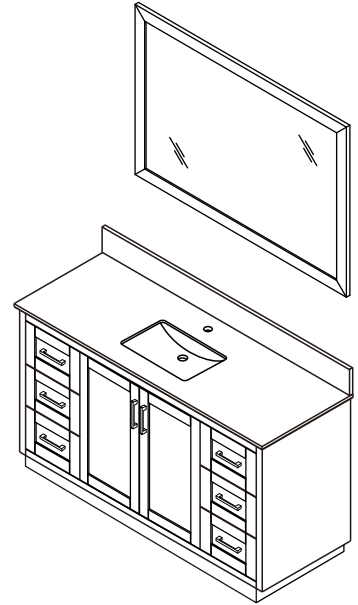


WYNDHAM COLLECTION

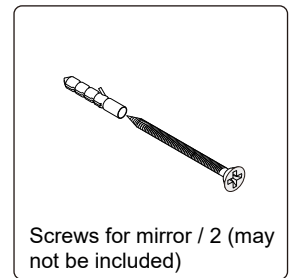
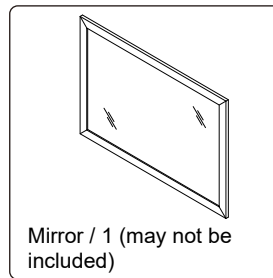
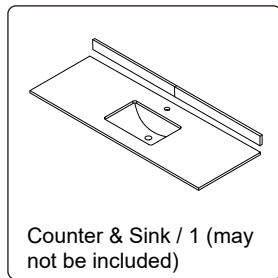
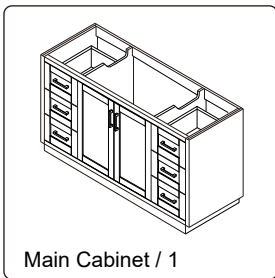


- Prior to installation please check received items against the "Packing List". Please report any missing items to your retailer immediately.
- Protect all surfaces from sharp objects, high heat sources, direct prolonged sunlight and chemical hazards.
- Professional installation recommended.
- Please install on a level surface. If minor door and drawer alignment is required, please follow the easy directions below.
- Backsplash comes in two pieces.

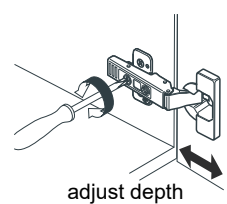
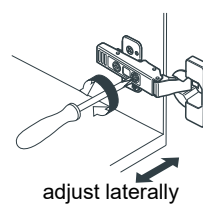
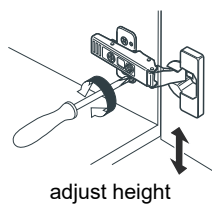
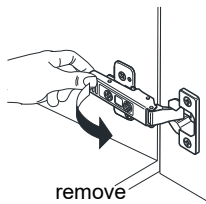
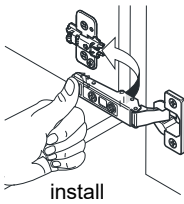


PACKING LIST

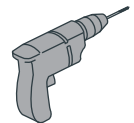
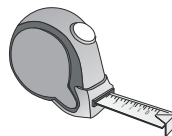
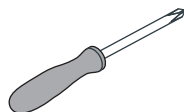
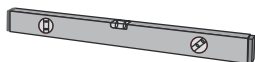
(Not all components may be included, depending upon your purchase)



HOW TO ADJUST HINGES (if required)



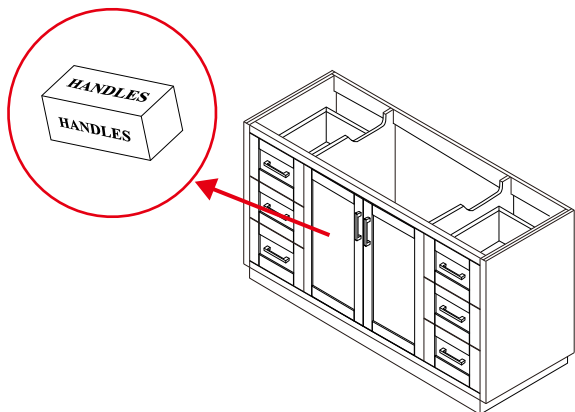
REQUIRED TOOLS NOT IN BOX



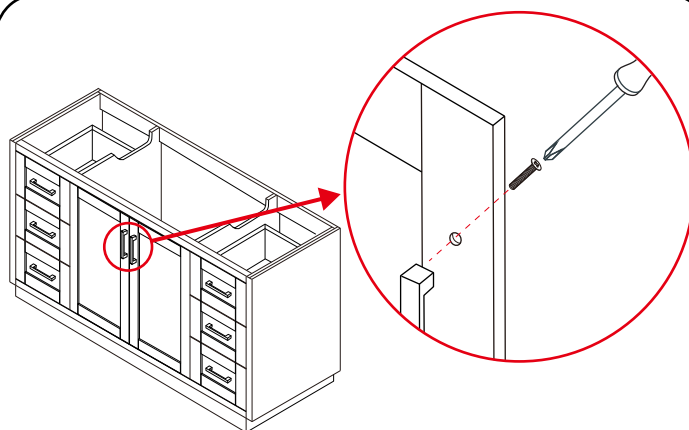
WC-2929-66-SGL Installation Guide

WYNDHAM COLLECTION

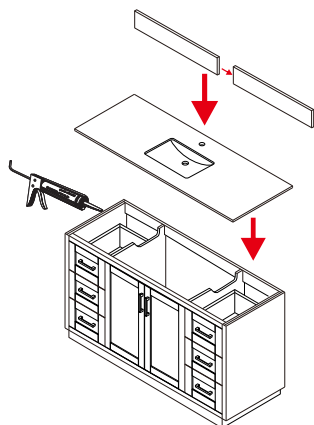
INSTALLATION INSTRUCTIONS



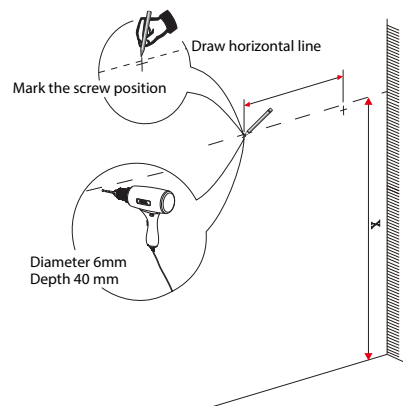
- ① The handles are safely stored for transport in a box inside of the cabinet. Look inside the vanity for the box with your handles.



- ② Unpack the handles and install them on the vanity. Do not over tighten when attaching.



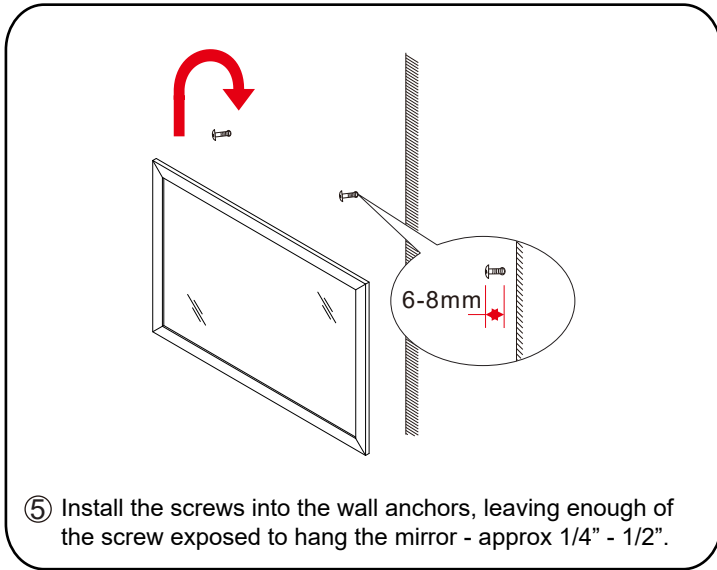
- ③ Install the counter. Seal around the top of the cabinet with clear silicone sealant. Do not over apply. Allow to dry 24 hours for proper curing.



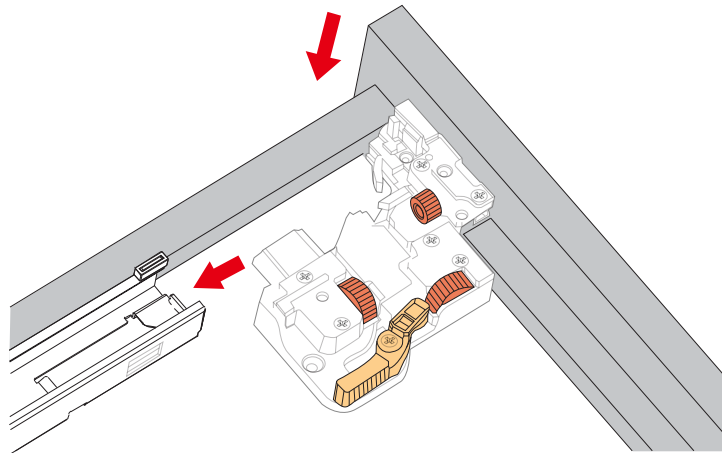
- ④ Install the mirror: use a pencil to mark the placement of the screw holes on the wall, drill the holes and insert the plastic wall anchors.

WC-2929-66-SGL
Installation Guide

WYNDHAM COLLECTION



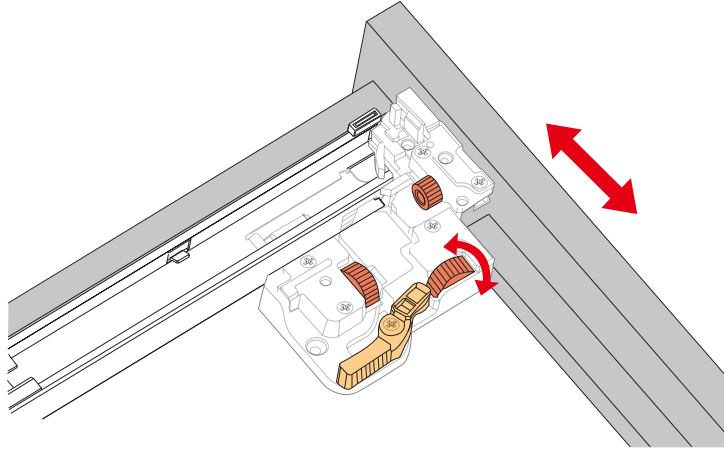
HOW TO ADJUST DRAWER SLIDES (if required)



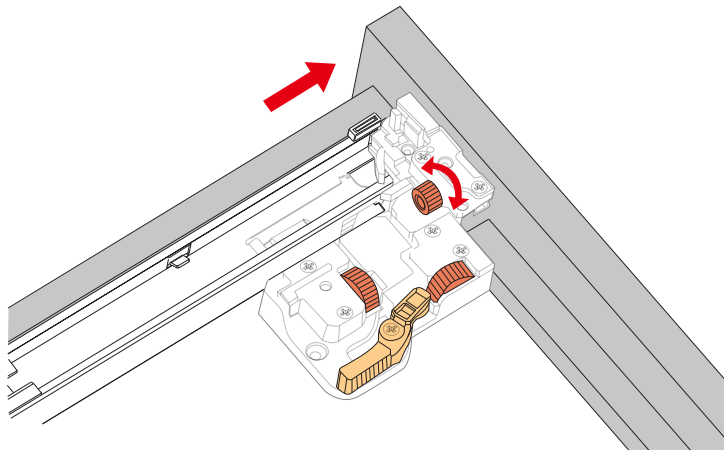
Up and Down Adjustment

WC-2929-66-SGL
Installation Guide

WYNDHAM COLLECTION



Side Adjustment



Depth Adjustment



Scan the QR code with your phone to watch detailed video instructions or visit www.wyndhamcollection.com/3dslides

WC-2929-66-SGL
Installation Guide