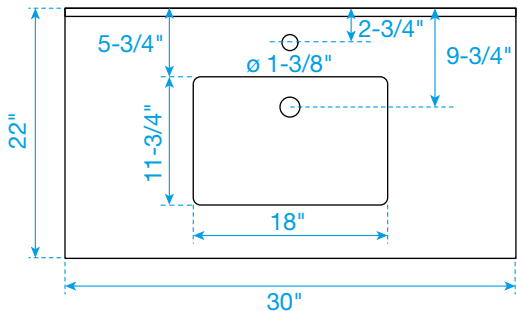
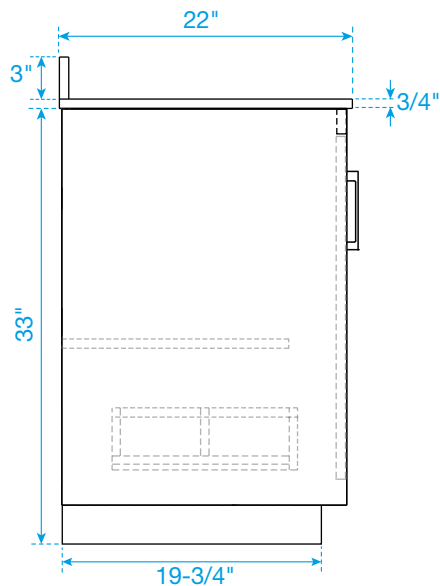
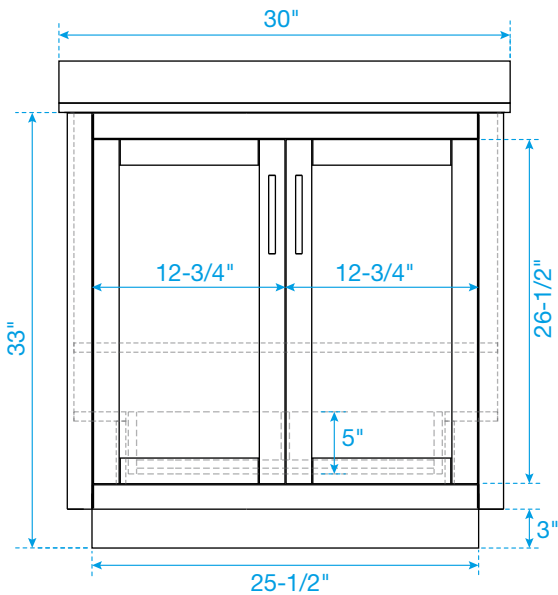
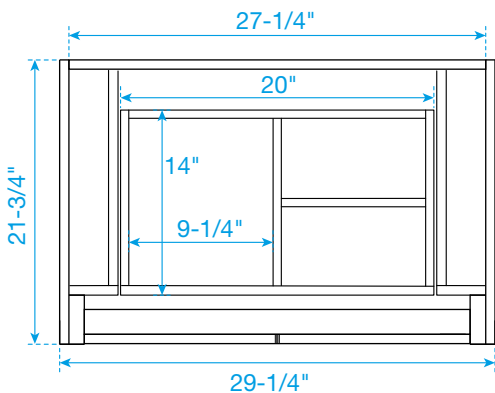
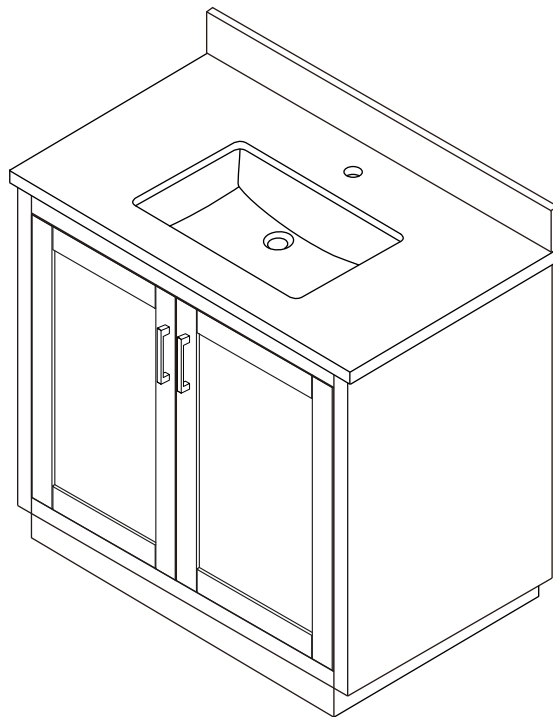


# WYNDHAM COLLECTION



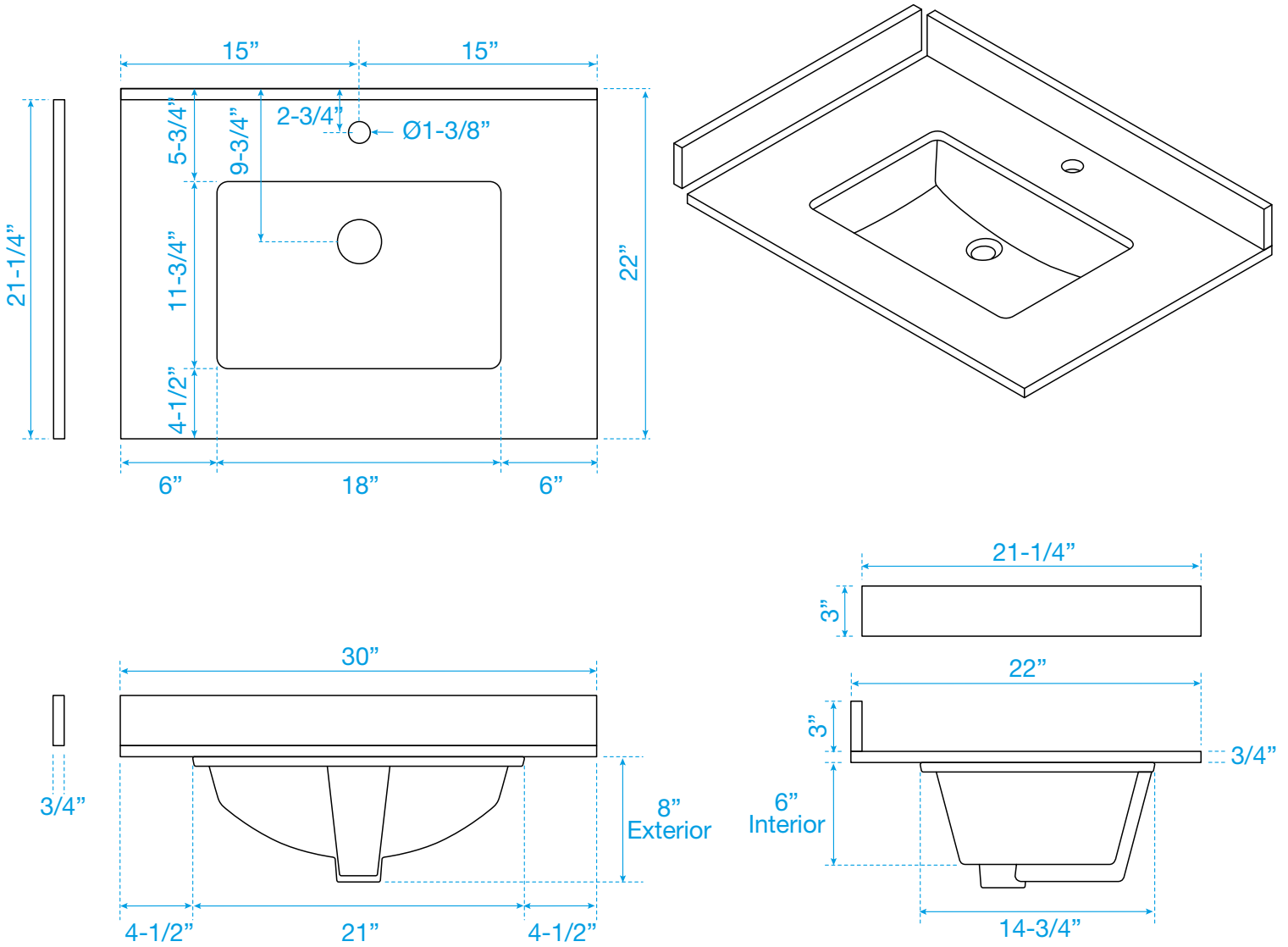
TOP VIEW OF VANITY CABINET



\*Note: All measurements are  $\pm 1/4"$ .

WC-2929-30-SGL  
Quartz

# WYNDHAM COLLECTION



Note: Side splash is reversible. All measurements are  $\pm 1/4\text{"}$ .

WC-QCI-30-SGL-TOP