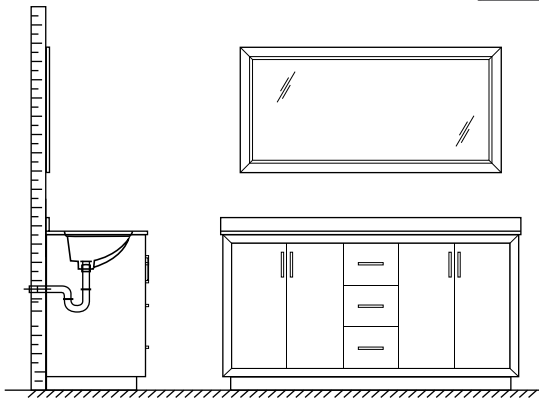


WYNDHAM COLLECTION



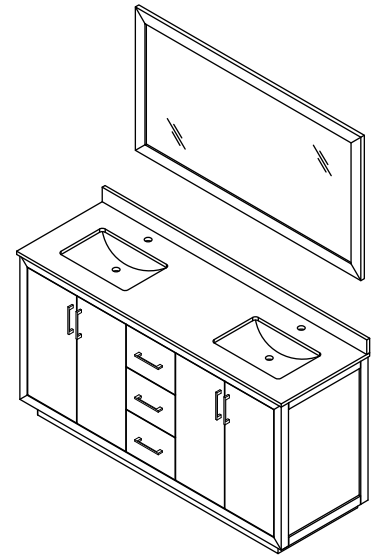
- Prior to installation please check received items against the "Packing List". Please report any missing items to your retailer immediately.

- Protect all surfaces from sharp objects, high heat sources, direct prolonged sunlight and chemical hazards.

- Professional installation recommended.

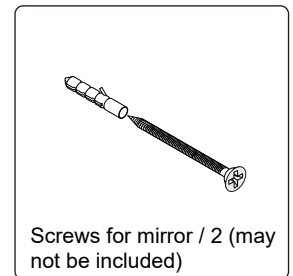
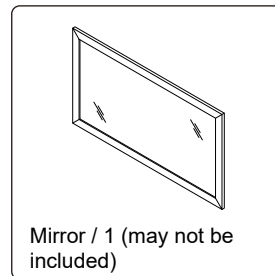
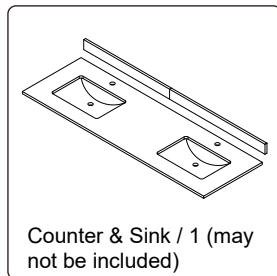
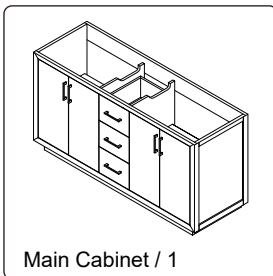
- Please install on a level surface. If minor door and drawer alignment is required, please follow the easy directions below.

- Backsplash comes in two pieces.

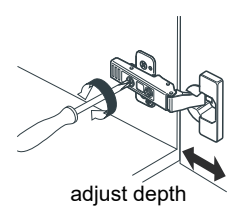
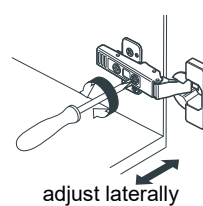
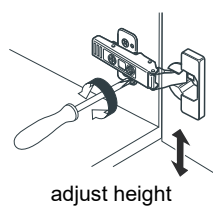
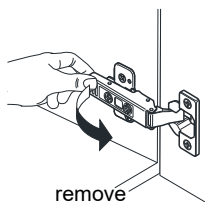
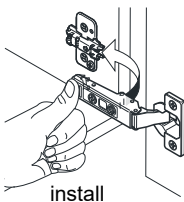


PACKING LIST

(Not all components may be included, depending upon your purchase)



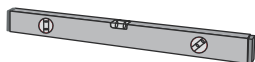
HOW TO ADJUST HINGES (if required)



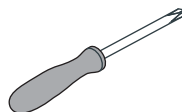
REQUIRED TOOLS NOT IN BOX



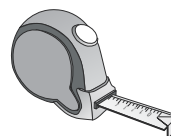
Silicone sealant



Spirit Level



Phillips Screwdriver



Tape measure



Pencil

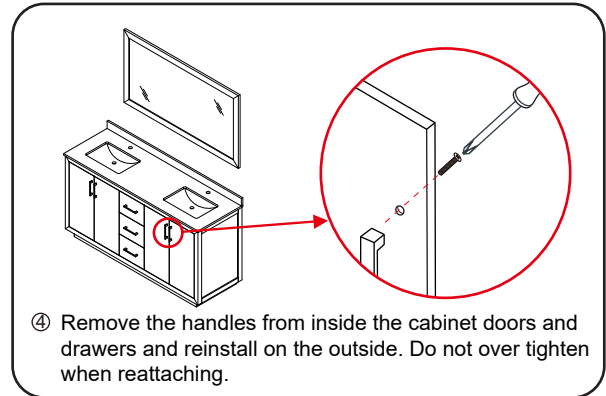
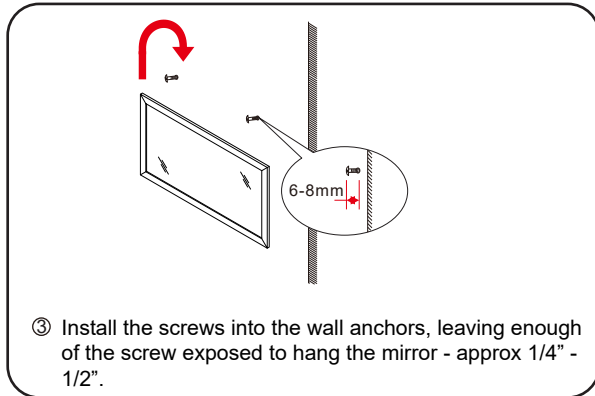
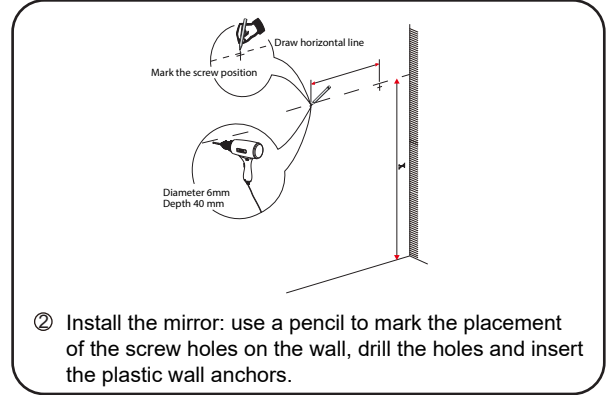
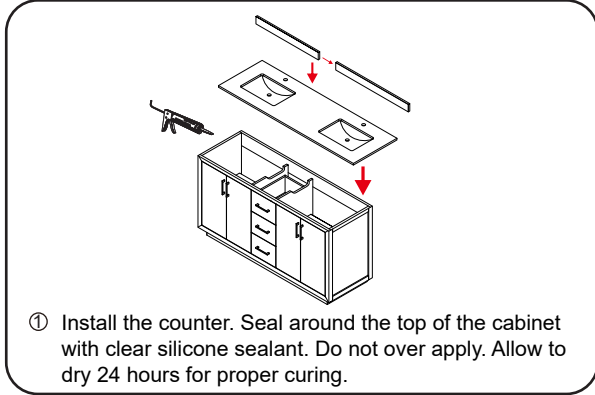


Electric Drill

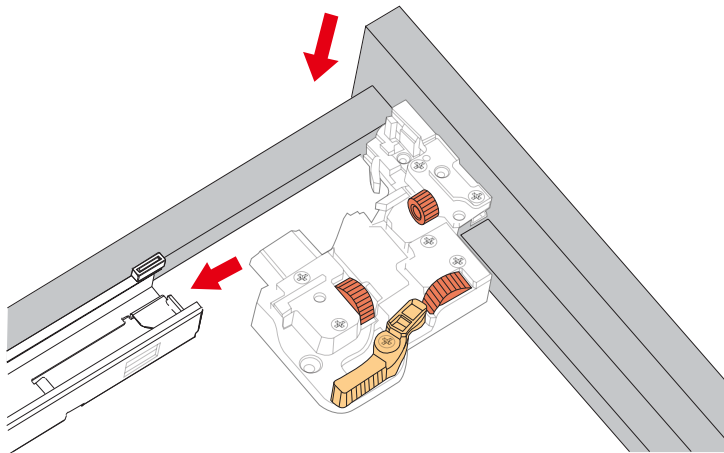
WC-4141-66-DBL Installation Guide

WYNDHAM COLLECTION

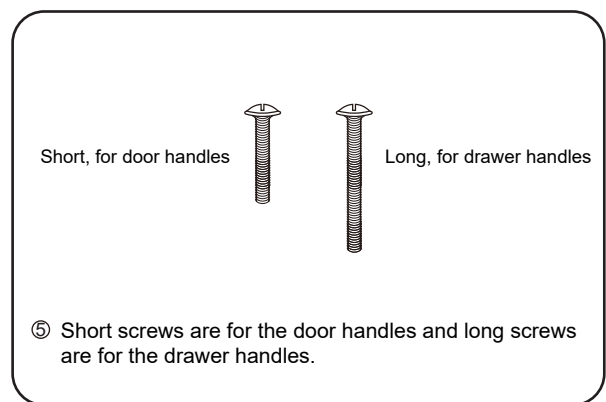
INSTALLATION INSTRUCTIONS



HOW TO ADJUST DRAWER SLIDES (if required)

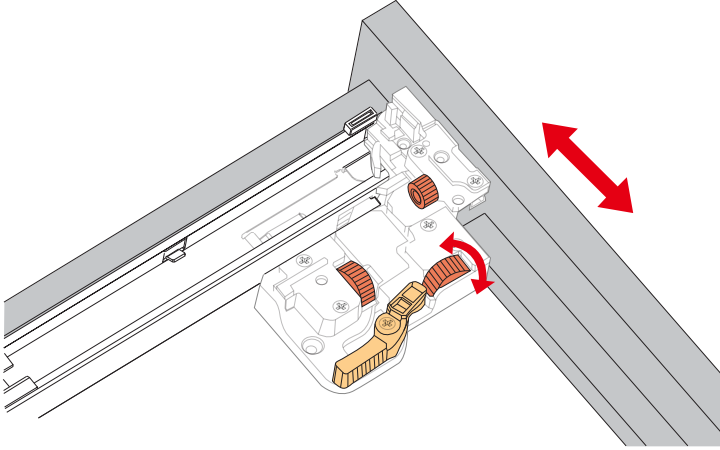


Up and Down Adjustment

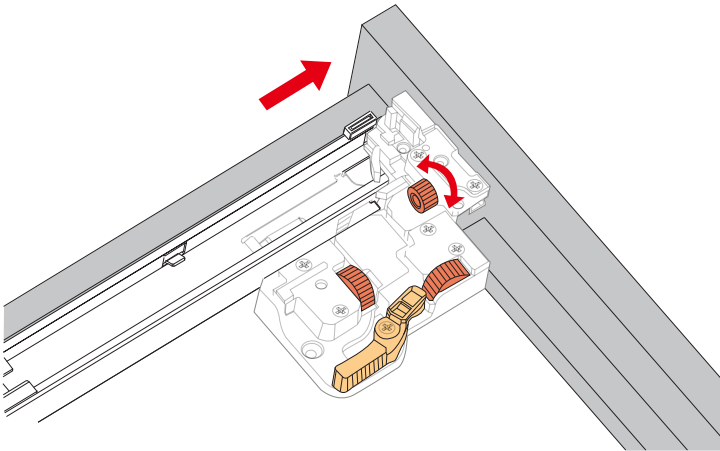


WC-4141-66-DBL
Installation Guide

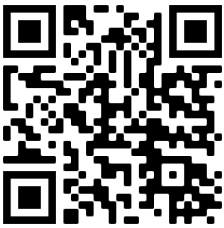
WYNDHAM COLLECTION



Side Adjustment



Depth Adjustment

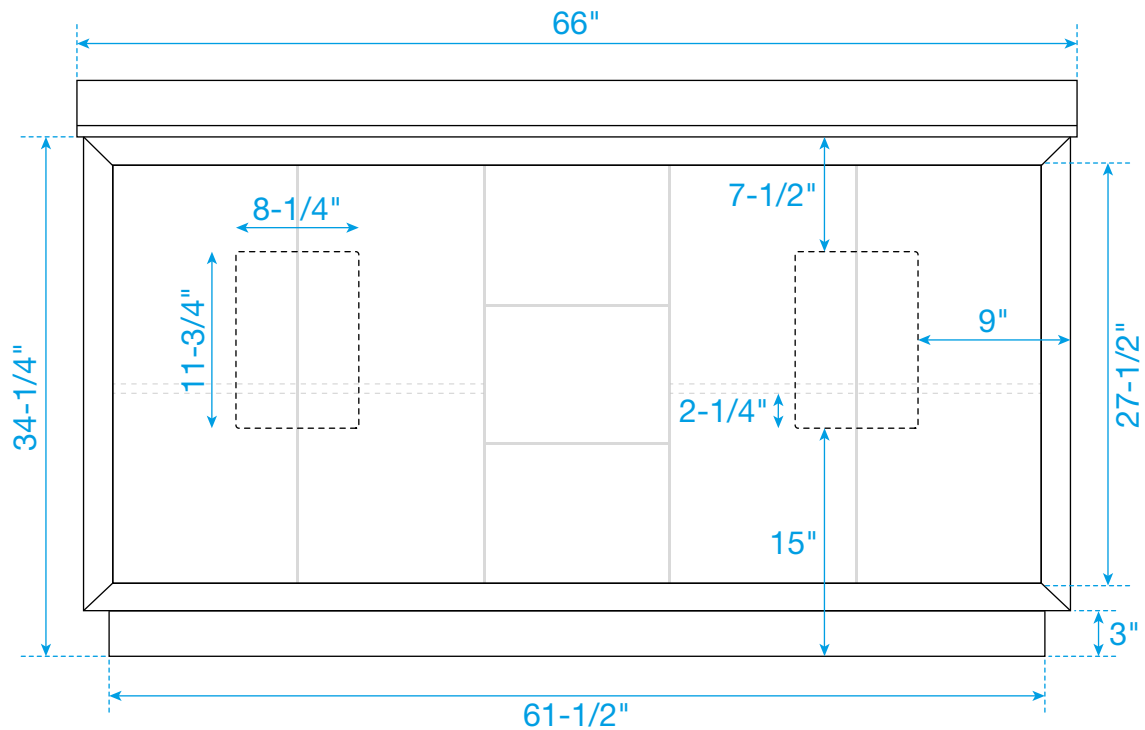


Scan the QR code with your phone to watch detailed video instructions or visit www.wyndhamcollection.com/3dslides

WC-4141-66-DBL
Installation Guide

WYNDHAM COLLECTION

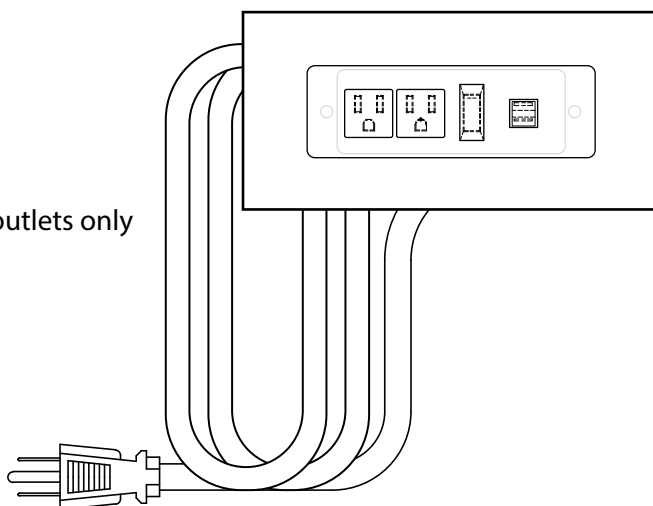
Backboard Cutouts



*Note: All measurements are ± 1/4".

Electrical Outlets with Charging Hub

- Easy to install
- Long 5 foot plug in cord
- 2 electrical outlets, 125V 15A
- Tamper Resistant (TR) outlets
- Power reset switch
- 2 USB ports, 5V 2.1A Max
- Use with ground-fault circuit interrupter (GFCI) outlets only
- Residential use only
- Follow all applicable electrical codes
- ETL Listed
- Conforms to UL Standard 962A
- Certified to CAN/CSA Standard C22.2 No. 308



WC-4141-66-DBL Installation Guide