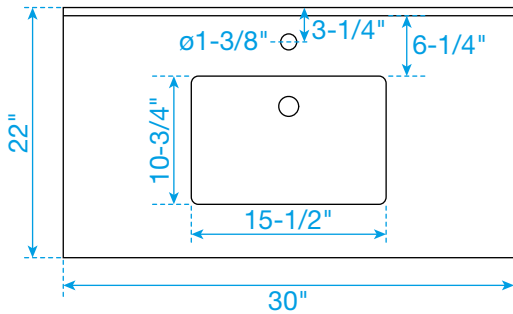
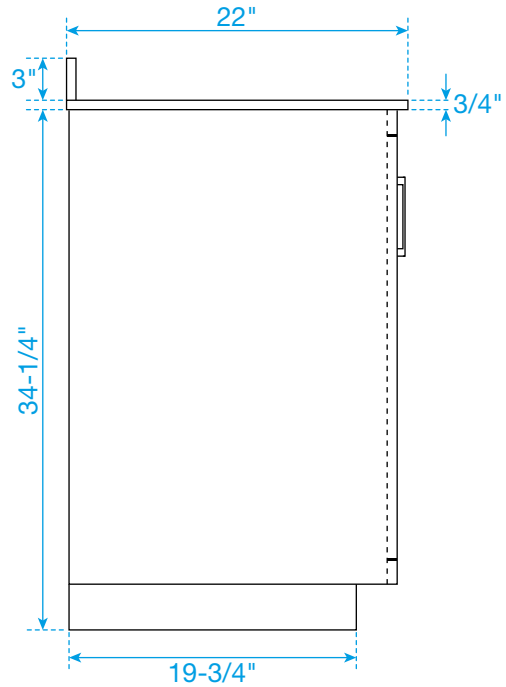
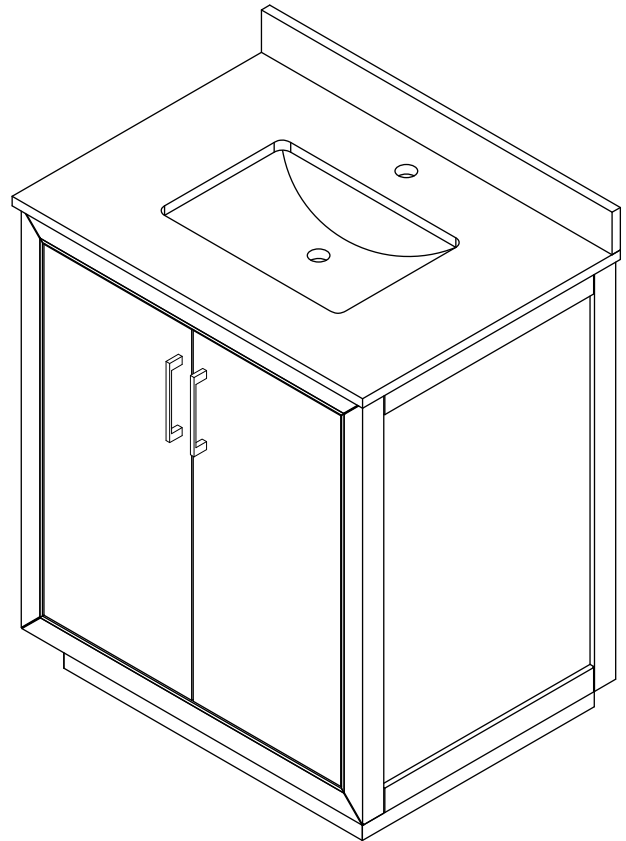
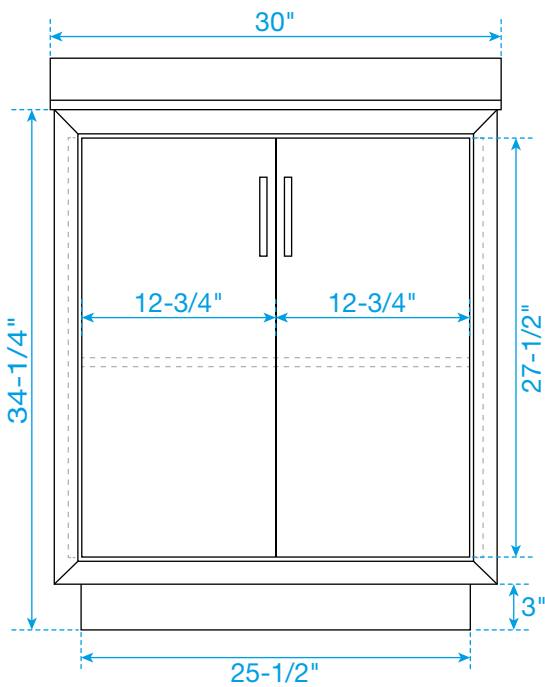
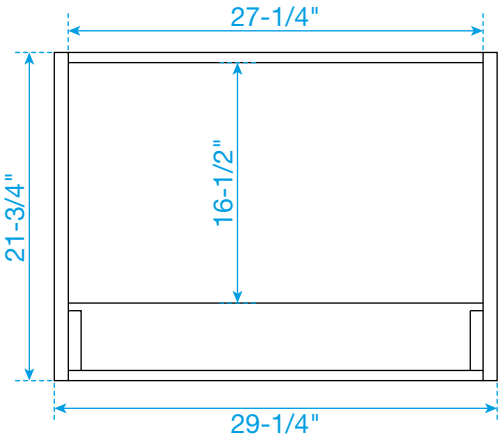


WYNDHAM COLLECTION



TOP VIEW OF VANITY CABINET



All measurements are $\pm 1/4''$.

WC-1111-30-SGL