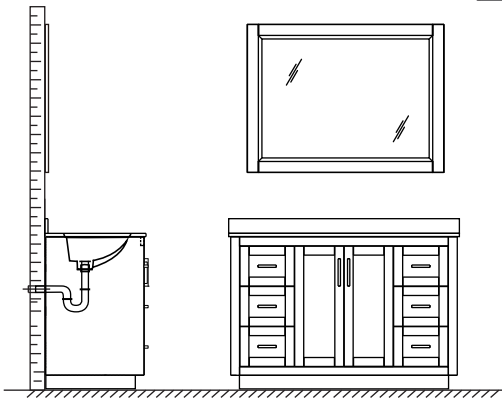
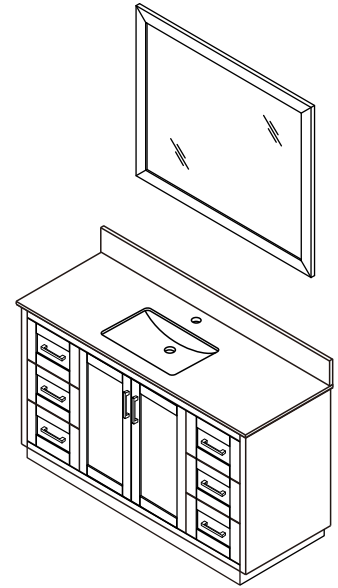


WYNDHAM COLLECTION

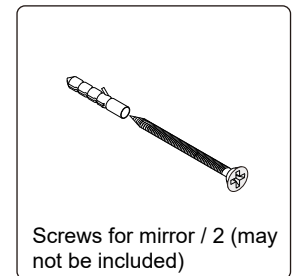
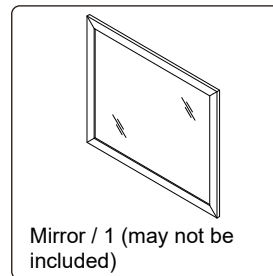
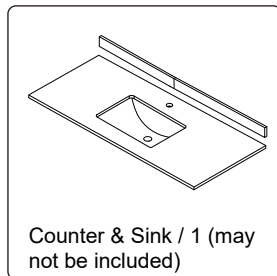
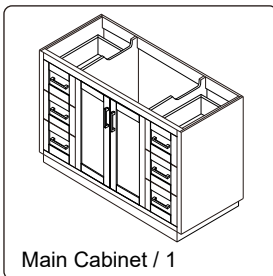


- Prior to installation please check received items against the "Packing List". Please report any missing items to your retailer immediately.
- Protect all surfaces from sharp objects, high heat sources, direct prolonged sunlight and chemical hazards.
- Professional installation recommended.
- Please install on a level surface. If minor door and drawer alignment is required, please follow the easy directions below.
- Backsplash comes in two pieces.

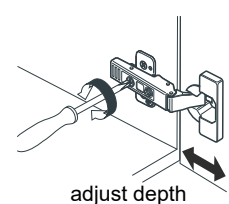
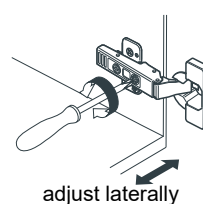
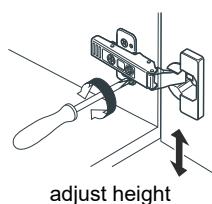
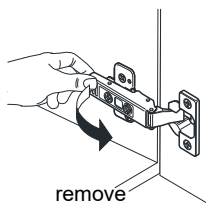
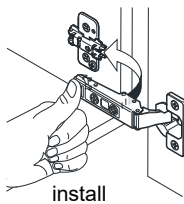


PACKING LIST

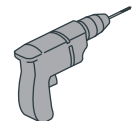
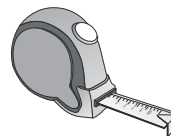
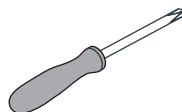
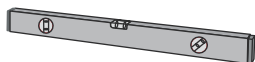
(Not all components may be included, depending upon your purchase)



HOW TO ADJUST HINGES (if required)



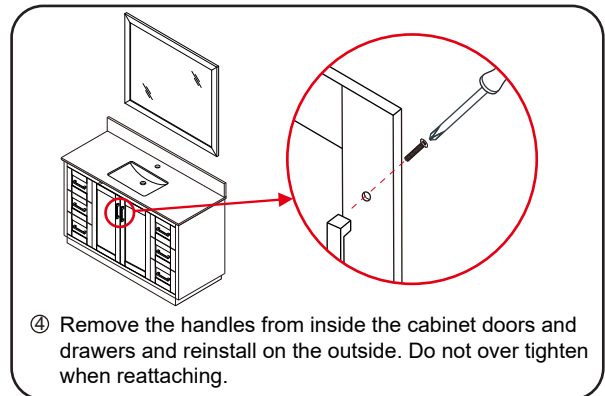
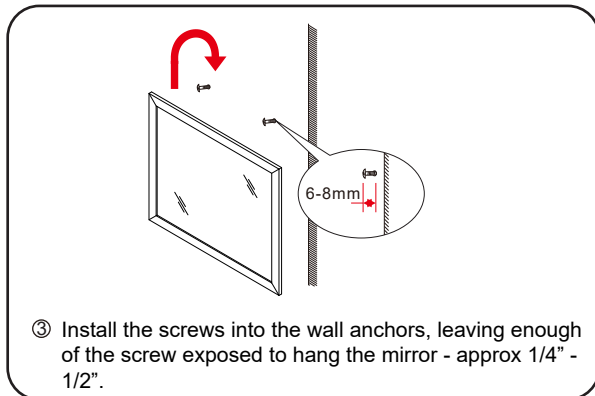
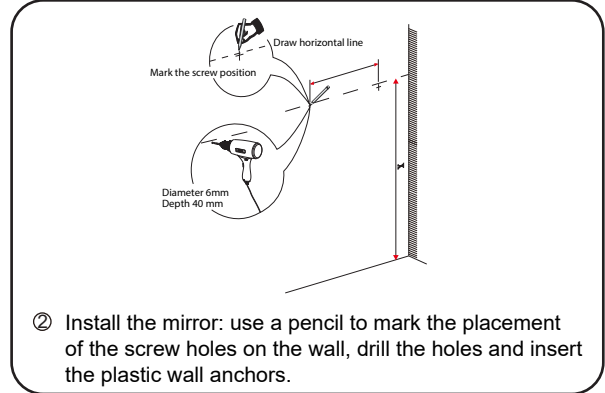
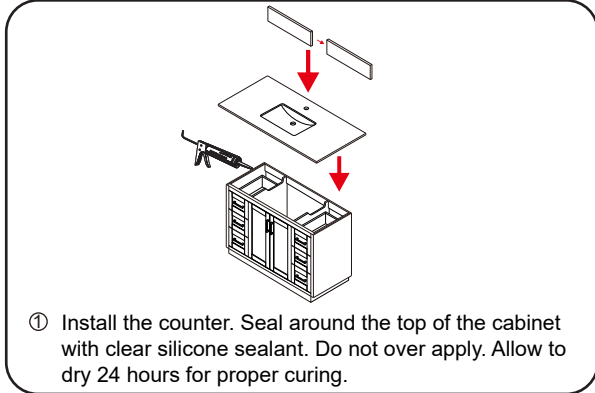
REQUIRED TOOLS NOT IN BOX



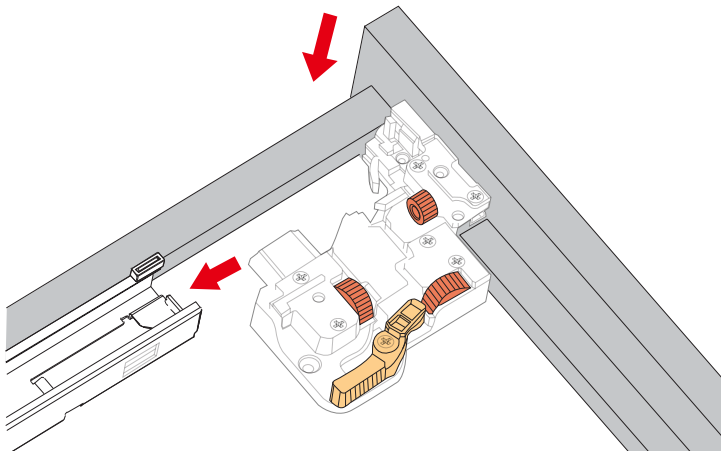
WC-2929-54-SGL Installation Guide

WYNDHAM COLLECTION

INSTALLATION INSTRUCTIONS



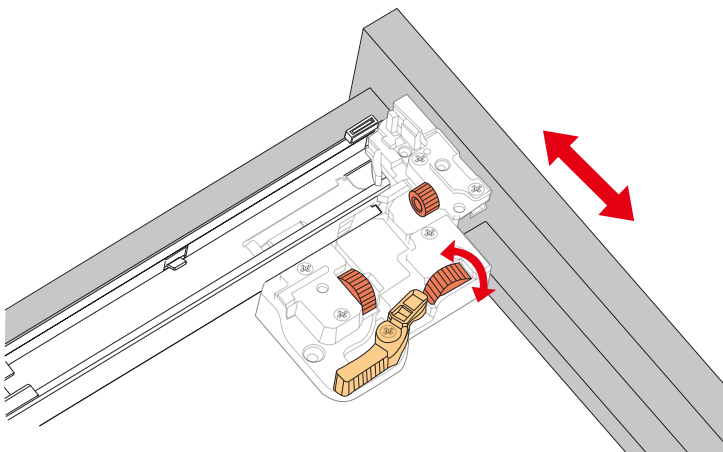
HOW TO ADJUST DRAWER SLIDES (if required)



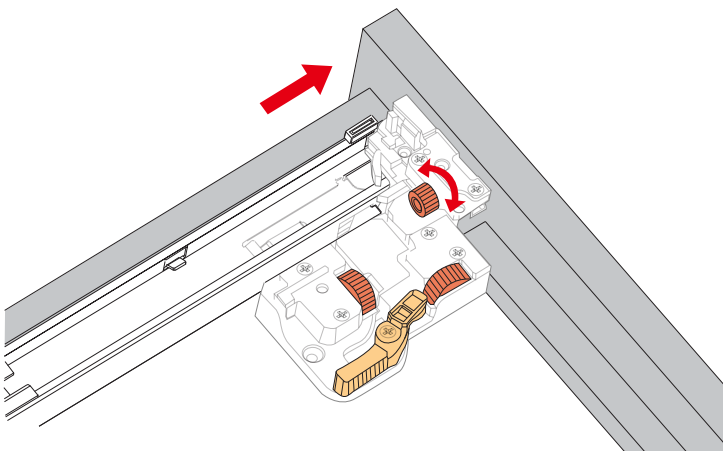
Up and Down Adjustment

WC-2929-54-SGL Installation Guide

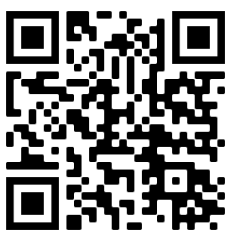
WYNDHAM COLLECTION



Side Adjustment



Depth Adjustment



Scan the QR code with your phone to watch detailed video instructions or visit www.wyndhamcollection.com/3dslides

WC-2929-54-SGL
Installation Guide