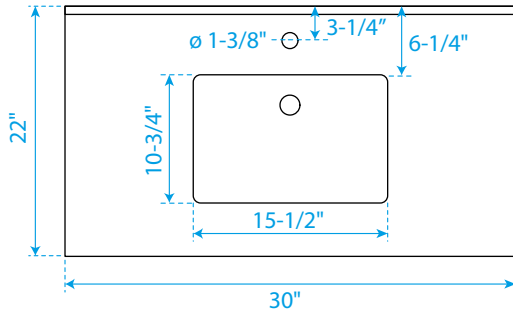
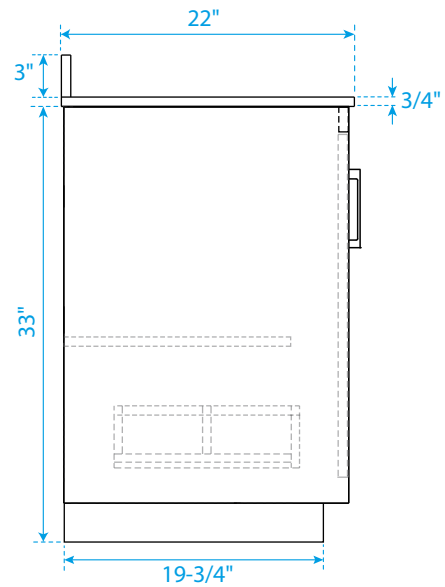
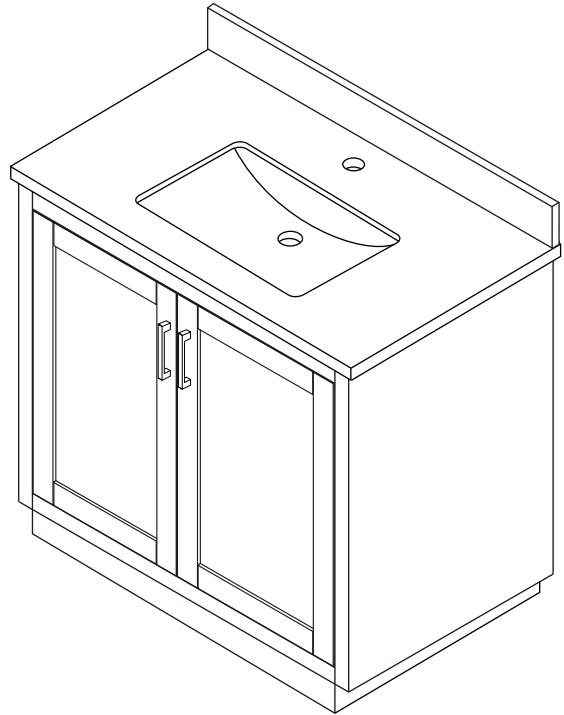
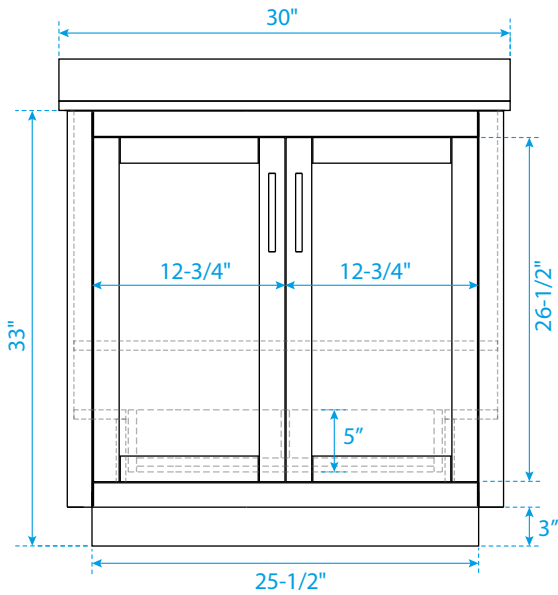
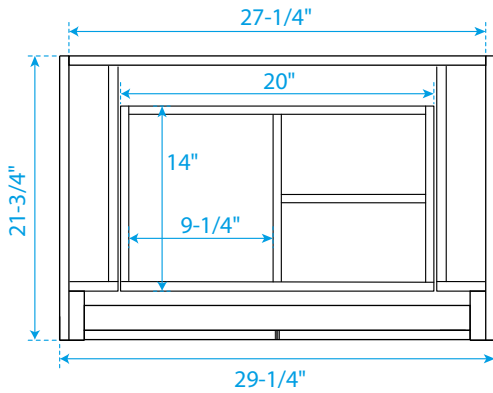


# WYNDHAM COLLECTION



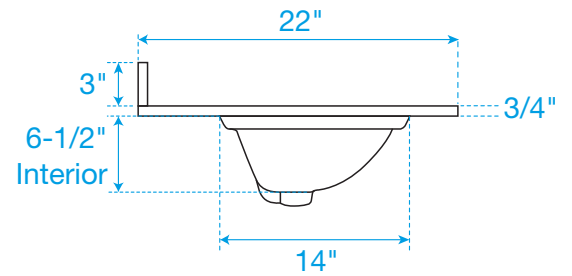
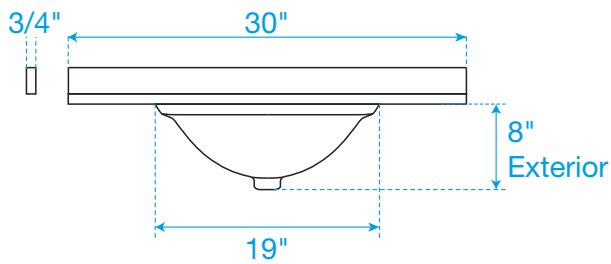
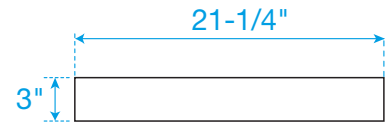
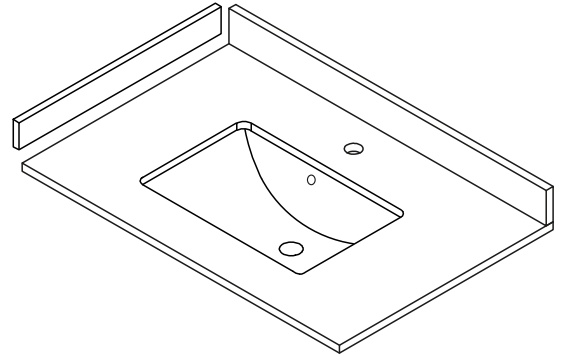
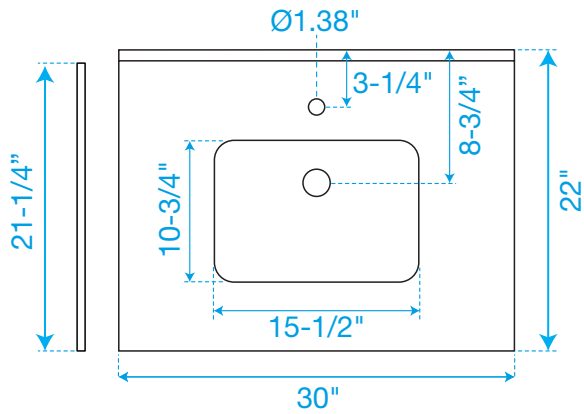
TOP VIEW OF VANITY CABINET



\*Note: All measurements are  $\pm 1/4''$ .

## WC-2929-30-SGL

# WYNDHAM COLLECTION



Side splash is reversible.  
Note: All measurements are  $\pm 1/4"$ .

WC-VCA-30-SGL-TOP