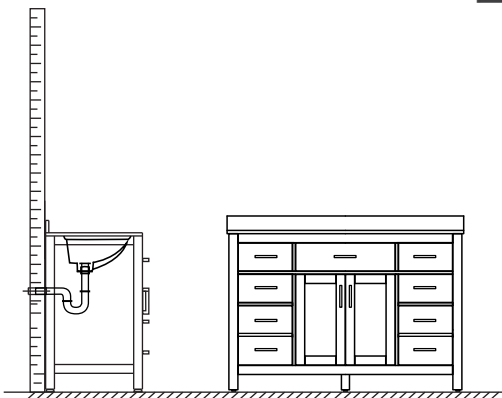
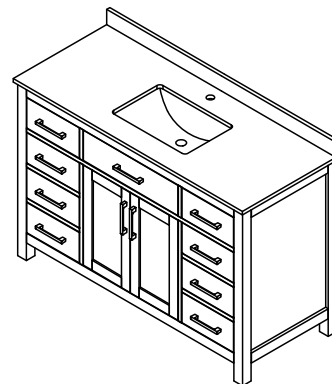


# WYNDHAM COLLECTION

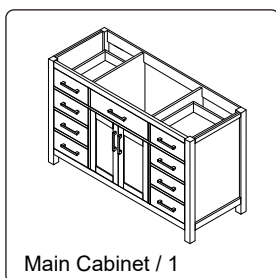
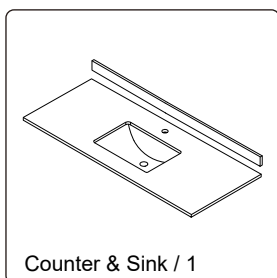


- Prior to installation please check received items against the "Packing List". Please report any missing items to your retailer immediately.
- Protect all surfaces from sharp objects, high heat sources, direct prolonged sunlight and chemical hazards.
- Professional installation recommended.

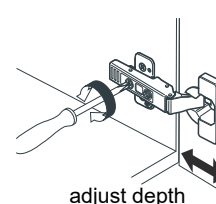
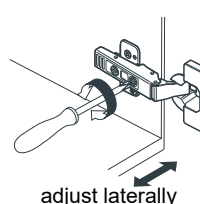
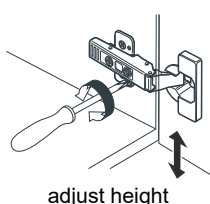
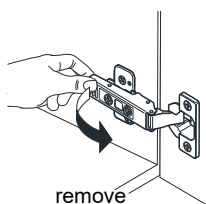
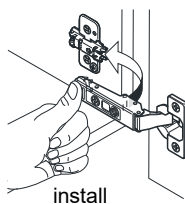


## PACKING LIST

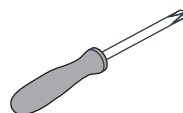
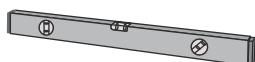
(Not all components may be included, depending upon your purchase)



## HOW TO ADJUST HINGES (if required)



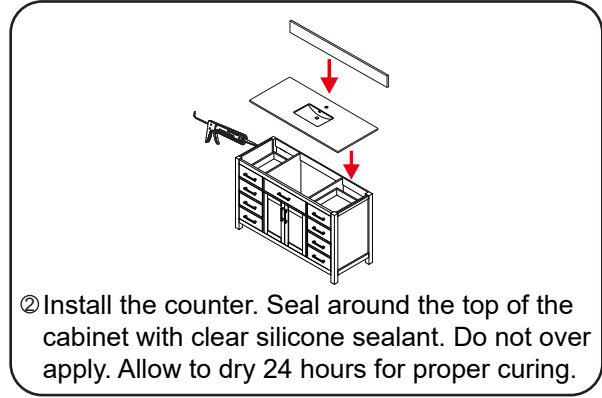
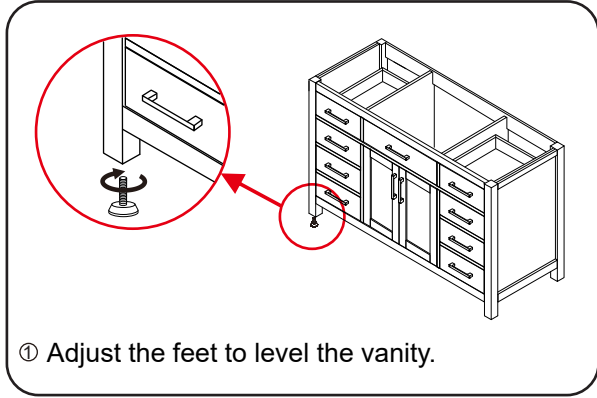
## REQUIRED TOOLS NOT IN BOX



# WC-2424-48-SGL Installation Guide

# WYNDHAM COLLECTION

## INSTALLATION INSTRUCTIONS



WC-2424-48-SGL  
Installation Guide