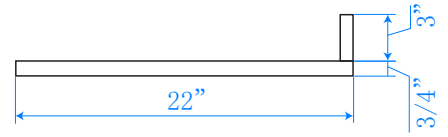
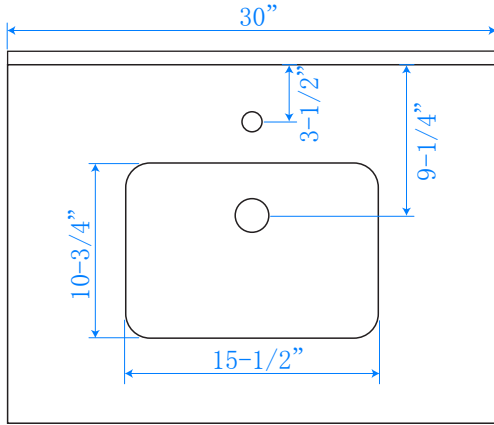
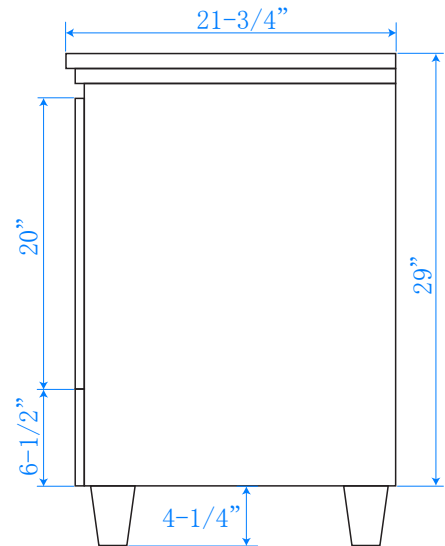
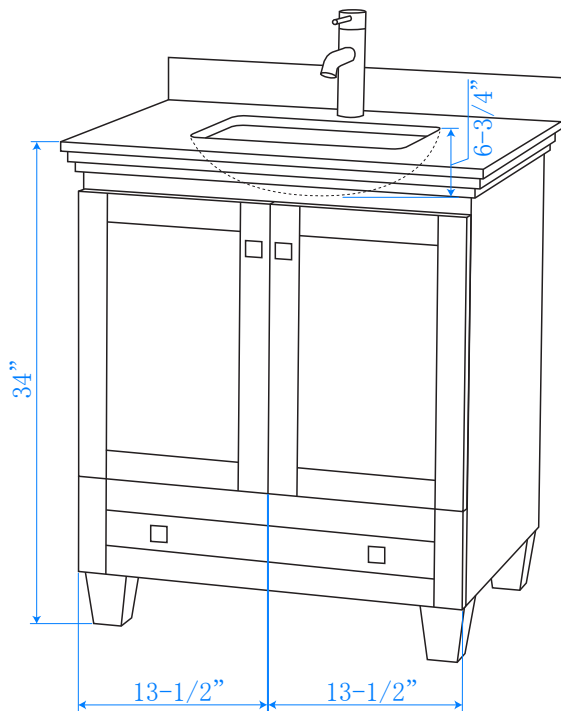
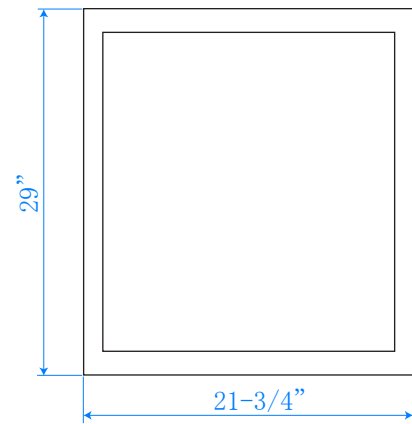


WYNDHAM COLLECTION



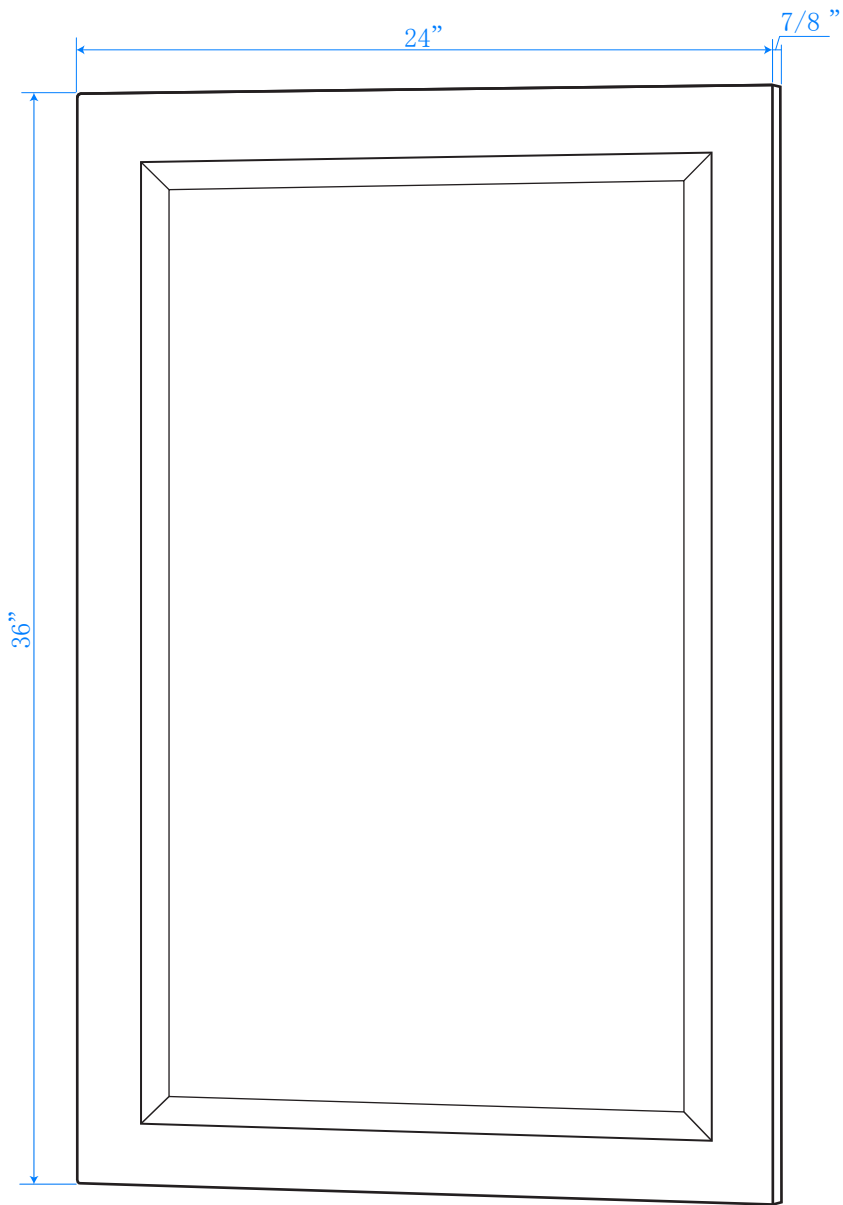
TOP VIEW OF CABINET



Note: All Measurements are $\pm 1/4"$

WC-CG8000-30

WYNDHAM
COLLECTION



Note: All Measurements are $\pm 1/4$ "

WC-CG8000-M24