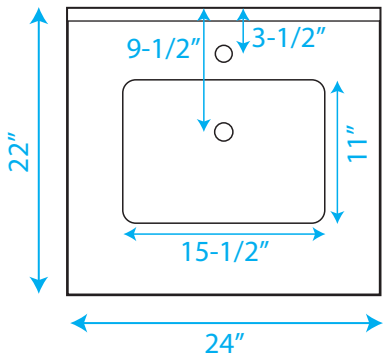
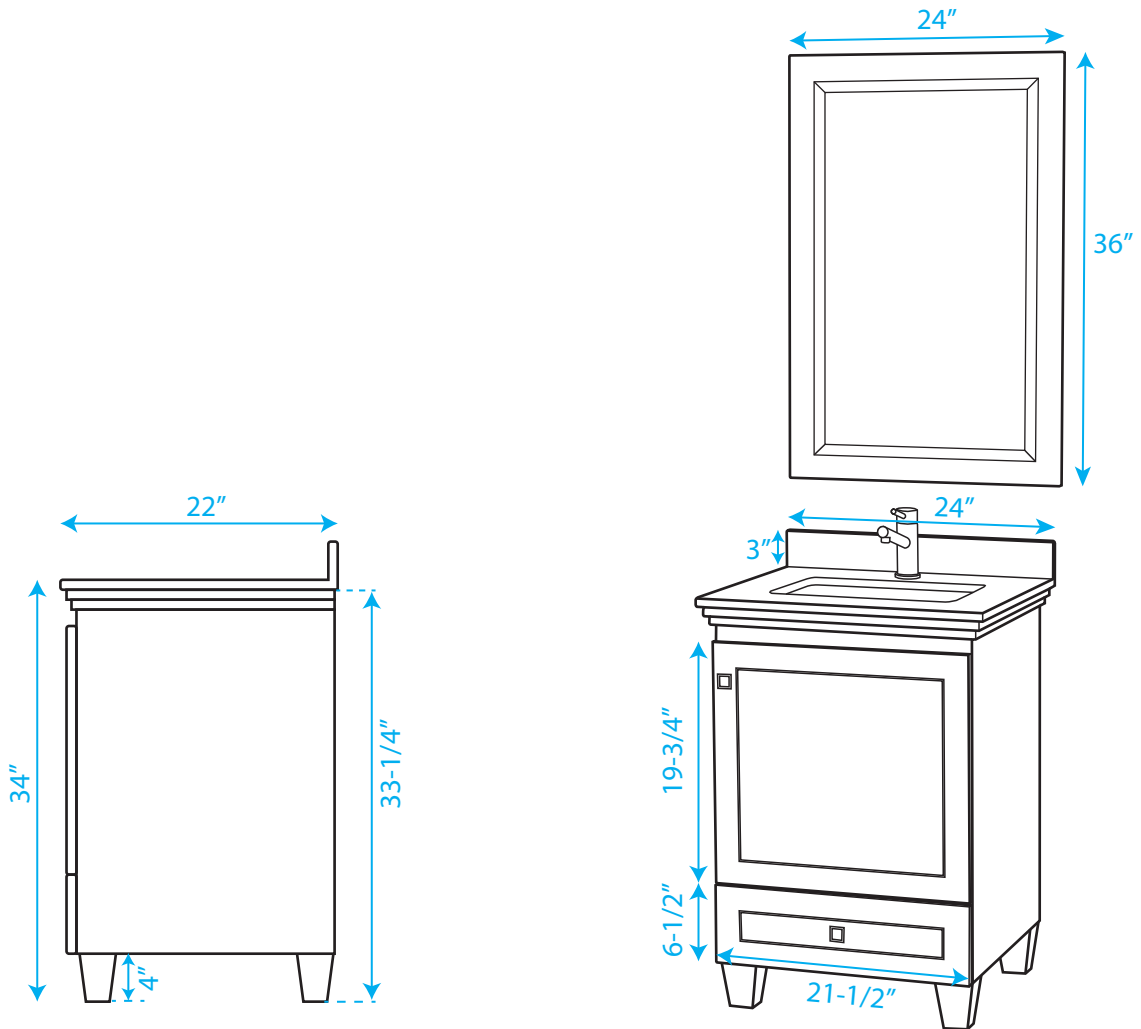
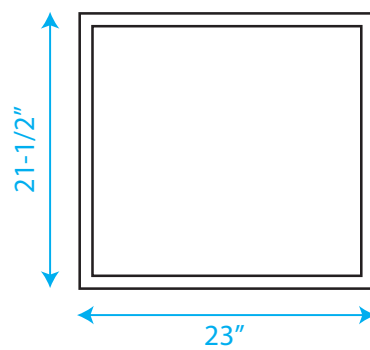


# WYNDHAM COLLECTION



TOP VIEW OF VANITY CABINET



Note: All Measurements are  $\pm 1/4$ "

WC-CG8000-24