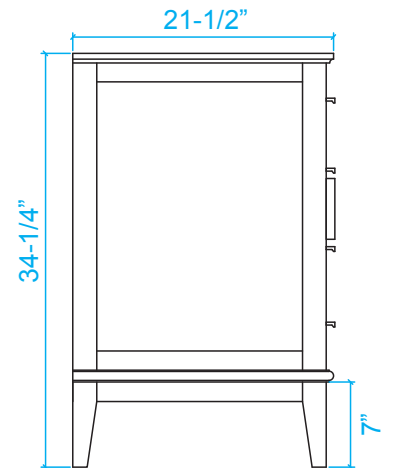
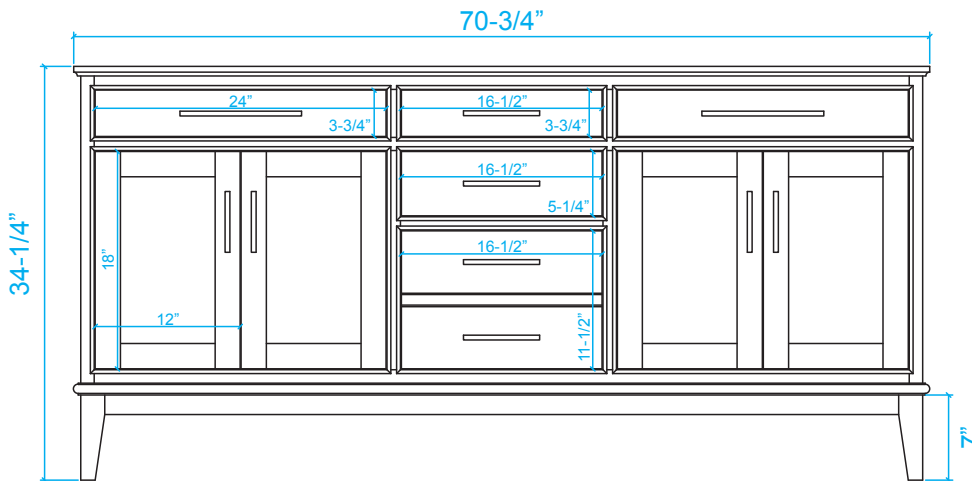
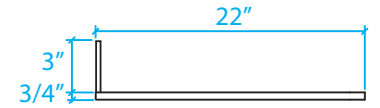
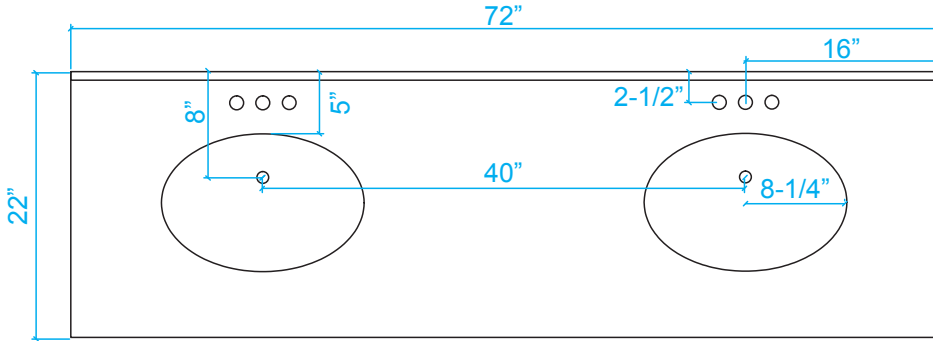
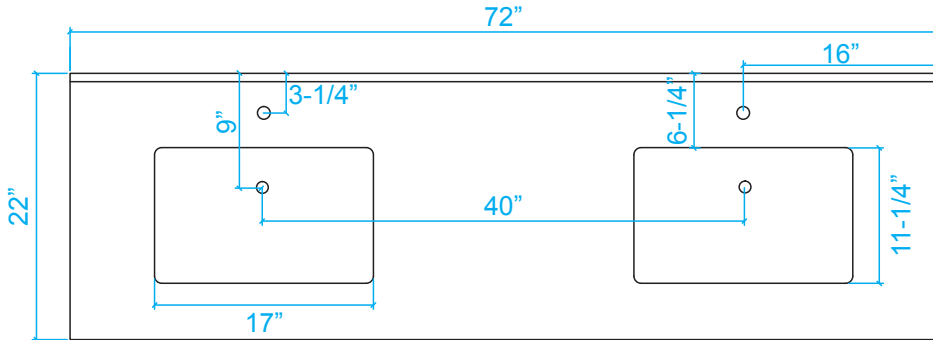


# WYNDHAM COLLECTION



\*Note: Due to high probability of breakage, the backsplash comes in two pieces, cut from same piece. All measurements are  $\pm 1/4$ ".

## WC-1616-72-DBL