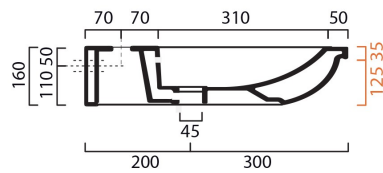
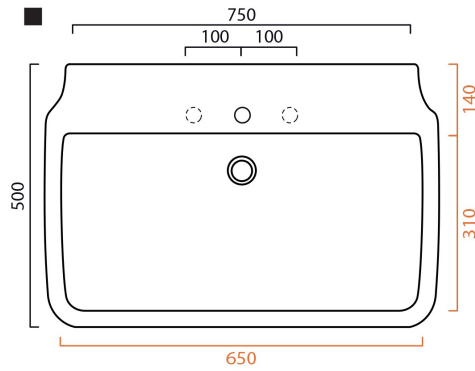
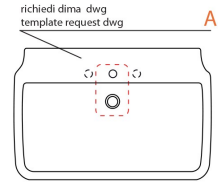
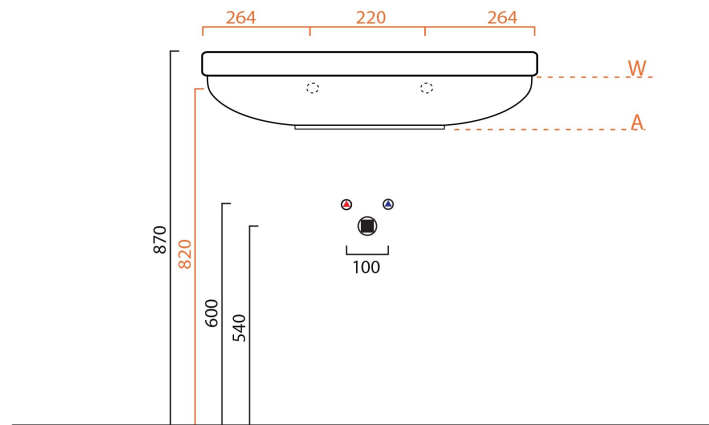


Product Specs Sheets

- = smaltato perimetralmente
all glazed sides
- = non smaltato dietro
unglazed behind



- U= sottopiano
undercounter
- I= incasso
inset
- A = appoggio
freestanding
- W= sospeso
wall hung



nova 75

Collection Ceramic II

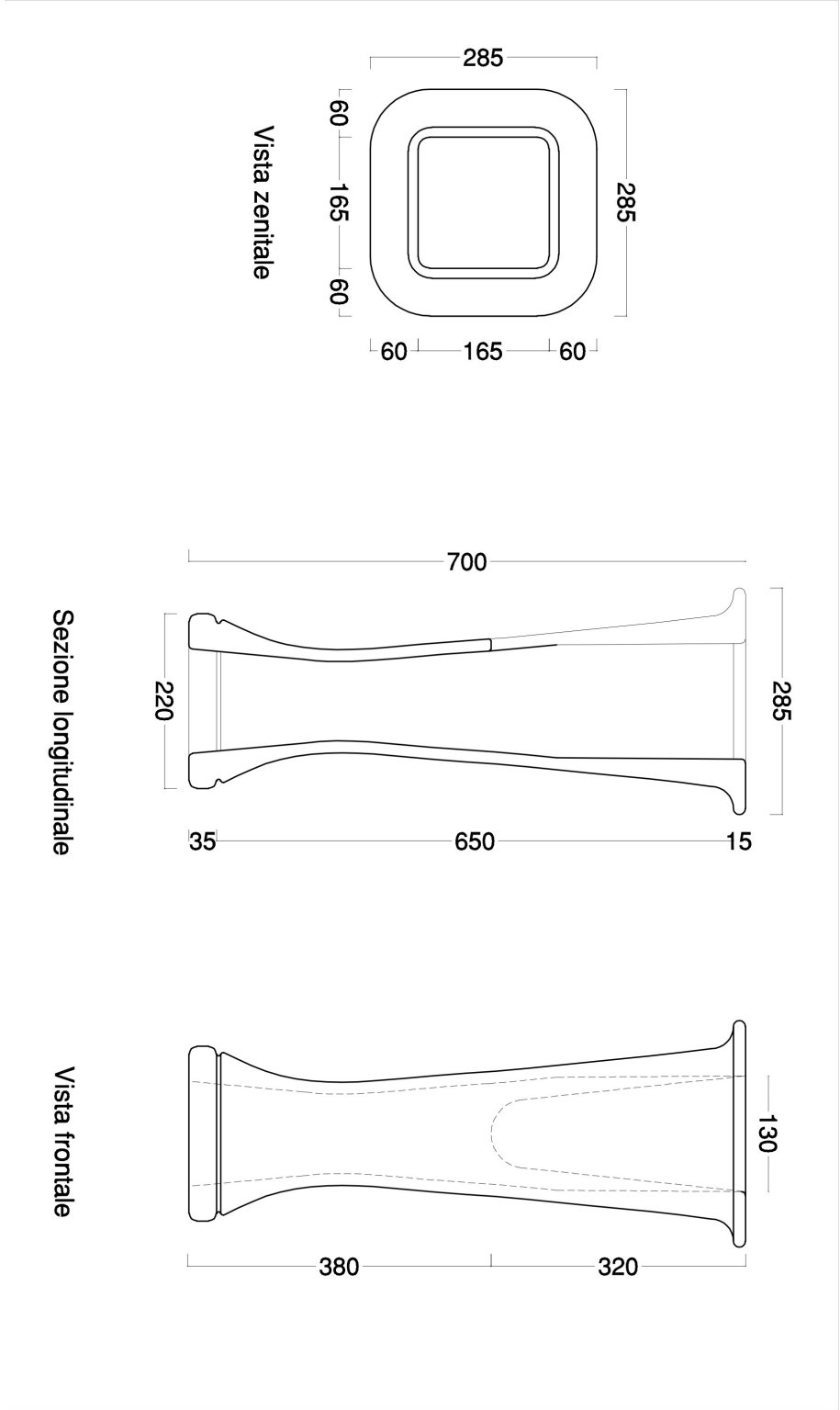
Model | Nova 75

Dimensions
shown metric

WS BATH COLLECTIONS

1051 Lea Drive - Collegeville, PA 19426
Tel. 610 831 0214 - Fax 610 831 0215
www.wsbathcollections.com
info@wsbathcollections.com

Product Specs Sheets



Collection Ceramic II

Model | Nova 75C

Dimensions shown metric

WS BATH COLLECTIONS

1051 Lea Drive - Collegeville, PA 19426
 Tel. 610 831 0214 - Fax 610 831 0215
www.ws bathcollections.com
info@ws bathcollections.com