

# Product Specs Sheets

collezione  
collection

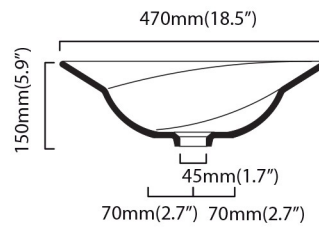
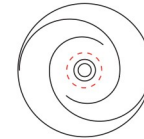
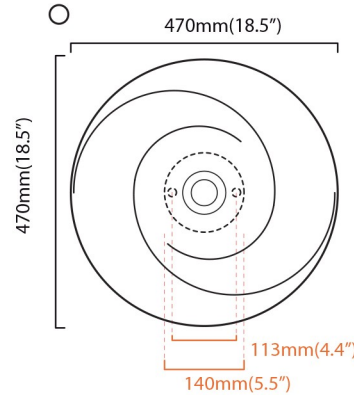
## Snail

lavabo  
wash basin

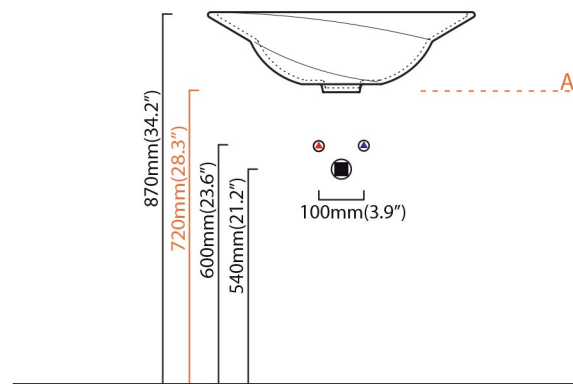
dimensini dimensions: Diametro 470 - H 150  
 troppo pieno *overflow*: No-NO  
 portata *flow rate*: l - s 0,15  
 peso netto *net weight*: kg 5.1 11.5 lbs

- = smaltato perimetralmente  
all glazed sides
- = non smaltato dietro  
unglazed behind

scasso consigliato ø 90 mm  
recommended size of hole ø 90 mm **A**



- U= sottopiano  
undercounter
- I = incasso  
inset
- A = appoggio  
freestanding
- W= sospeso  
wall hung



Collection Ceramic II

Model | LVT 720

Dimensions  
shown metric

WS BATH COLLECTIONS

1051 Lea Drive - Collegeville, PA 19426  
 Tel. 610 831 0214 - Fax 610 831 0215  
 www.ws bathcollections.com  
 info@ws bathcollections.com