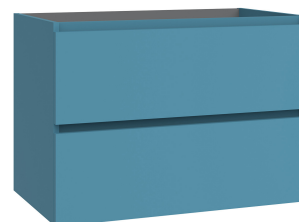


Flora C80.000

Features









- Vanity Base Unit
- Vanity Available in 8 Finishes: Glossy White, Matte White, Sunset Matte, Island Matte, Mist Matte, Natural Oak, Grey Pine, and Wenge
- Wall-hung design offers a clean, streamlined look
- Two soft close drawers
- Hettich sliding system
- Fully assembled
- Structure and front made of engineered wood in wood finishes and high gloss lacquered
- Handle integrated in front of furniture
- Does not include vanity top or sink
- Made in Spain



SKU# | Options:

- Flora C80.000 WM | Matte White
- Flora C80.000 WG | Glossy White
- Flora C80.000 WE | Wenge
- Flora C80.000 SM | Sunset Matte
- Flora C80.000 NO | Natural Oak
- Flora C80.000 MTM | Mist Matte
- Flora C80.000 IM | Island Matte
- Flora C80.000 GP | Grey Pine

Finishes:

-  Matte White
-  Glossy White
-  Wenge
-  Sunset Matte
-  Natural Oak
-  Mist Matte
-  Island Matte
-  Grey Pine

Codes & Standards:

- CARB2 Compliant and Certified
- TSCA Compliant and Certified

* WS Bath Collections reserve the right to make revisions without notice to product specifications, dimensions, or information.

Collection |
Flora

Model |
Flora C80.000

Dimensions Metric

1 inch = 2.54 cm

1 inch = 25.4 mm

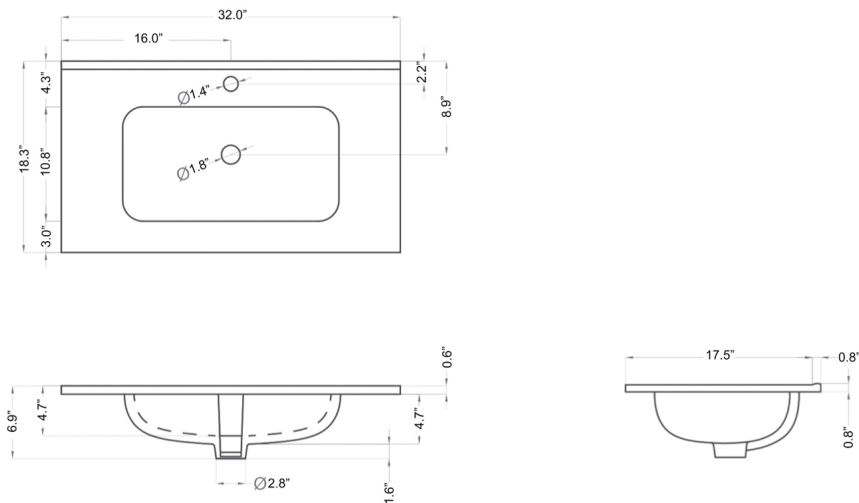
WS[®]
BATH
COLLECTIONS

1051 Lea Drive - Collegeville, PA 19426
Tel. 215 513 9400 - Fax 610 831 0215

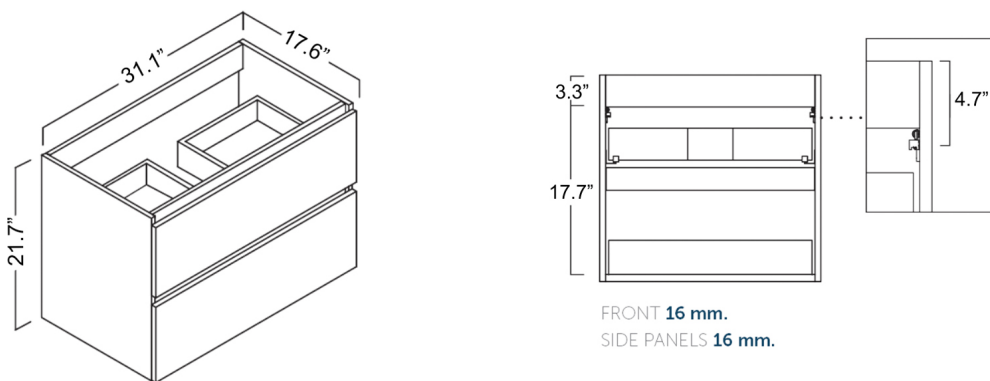
www.ws bathcollections.com - info@ws bathcollections.com

Flora C80

Sink



Base Unit



Technical information



Soft close.



Hettich sliding system.



Glossy lacquered finish.

Collection |
Flora

Model |
Flora C80

Dimensions Metric

1 inch = 2.54 cm
1 inch = 25.4 mm

WS®
BATH
COLLECTIONS

1051 Lea Drive - Collegeville, PA 19426
Tel. 215 513 9400 - Fax 610 831 0215

www.ws bathcollections.com - info@ws bathcollections.com