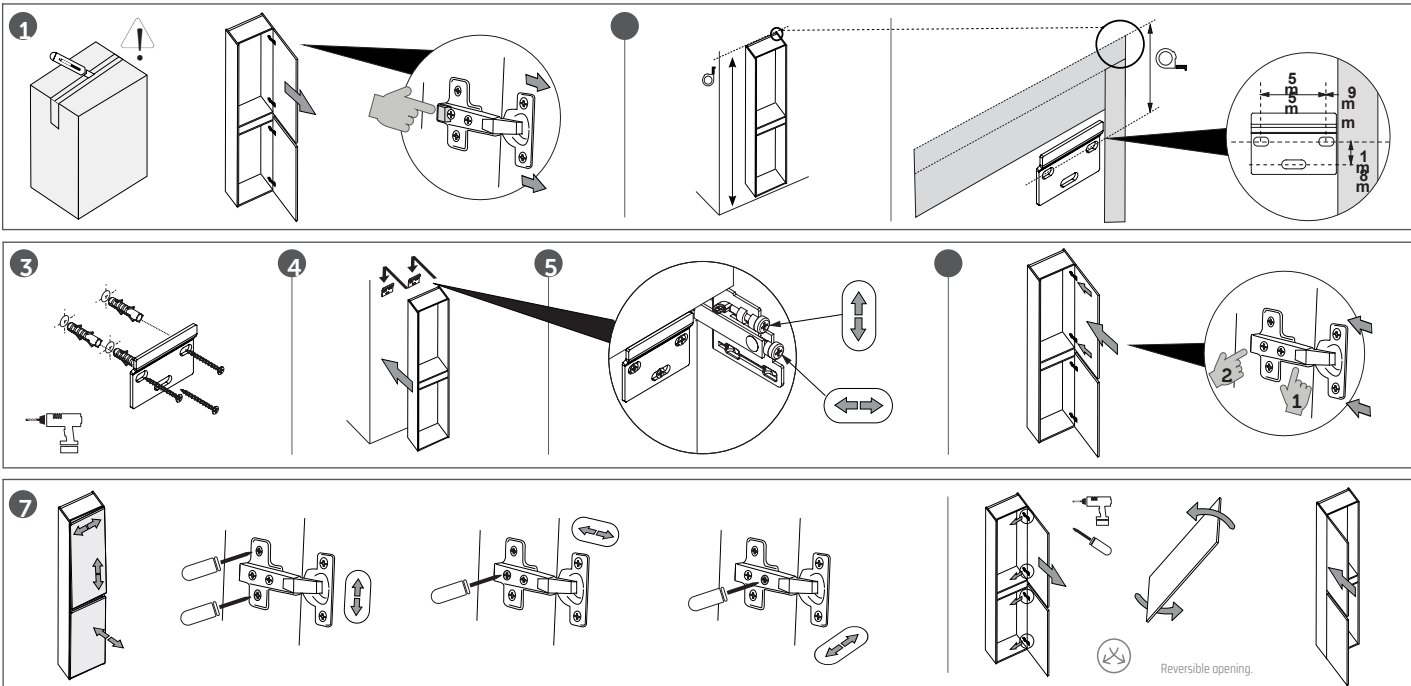
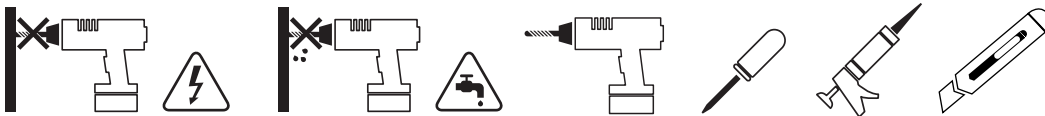


# Installation Instructions - Menta COL01

· PRUDENCE · PRECAUCIÓN · CAUTION

· AVANT DE COMMENCER · ANTES DE EMPEZAR · BEFORE BEGINNING



## ENGLISH

Our products are designed unique and exclusively for inside use, as complement of other furniture or support or closets for light materials. They are not suitable for an outside use. For the assembly of those parts that are supplied separately, please read carefully the present manual. The stability and capacity of our products will be exclusively guaranteed within the fulfillment of these guide. The shelves or top parts cannot be considered as a working surface so please refrain from any misuse. We supply expansion screws for a wall fixing of our units. Please refrain from sitting or standing over the units, shelves or drawers as this will cause major damage. Do not hang from doors or drawers. Do not open different doors or drawers at the same time. Be extremely careful with glass components. Do not place the units near any heat source superior to 45° C. Warranties do not cover misuse.

**Notice:** All data in this documentation are only indicative, the aim being to describe the product. If you have questions about how to assemble the furniture or cleaning, contact your point of sale. The company assumes no liability resulting from misuse of the product.

**Maintenance & cleaning:** We do not recommend the use of any chemical cleaning products with our furniture. We only recommend the use of warm mild soapy. Water and a soft lint free cloth.

## Note

WS Bath Collections reserves the right to make revisions in the design of products without notice.

**Installation  
Instructions**

**Model |  
Menta COL01**

**Dimensions Metric**

1 inch = 2.54 cm  
1 inch = 25.4 mm

**WS<sup>®</sup>  
BATH  
COLLECTIONS**

1051 Lea Drive - Collegeville, PA 19426  
Tel. 215 513 9400 - Fax 610 831 0215

[www.ws bathcollections.com](http://www.ws bathcollections.com) - [info@ws bathcollections.com](mailto:info@ws bathcollections.com)