

# Product Specs Sheets

Cover Page

## Lila C80

### Features

- Complete Vanity Unit
- Base Unit Available in 3 Finishes: Glossy White, Natural Oak, and Grey Pine
- Integrated Handles
- Free Standing Installation with Matte Aluminum Legs
- Three soft close drawers with organizer in upper drawer and one soft-closing door
- Includes integrated sink and vanity top in gloss white ceramic with faucet hole and overflow
- Fully assembled with structure and front made of engineered wood in wood finishes and high gloss lacquered
- Handle integrated in front of furniture
- Hidden hanging bracket directly assembled with great resistance and depth regulations
- Made in Spain






### Related Items:

- WSBC 53991 | Push Waste Drain
- WSBC 53922 | Decorative Trap

### SKU# | Options:

- Lila C80.101 WG | Glossy White
- Lila C80.101 NO | Natural Oak
- Lila C80.101 GP | Grey Pine

### Finishes:

-  Glossy White
-  Natural Oak
-  Grey Pine

### Codes & Standards:

- CARB2 Compliant and Certified
- TSCA Compliant and Certified

\* WS Bath Collections reserves the right to revise dimensions or information on this sheet without notice

**Collection |**  
Lila

**Model |**  
Lila C80

Dimensions Metric

*1 inch = 2.54 cm*

*1 inch = 25.4 mm*

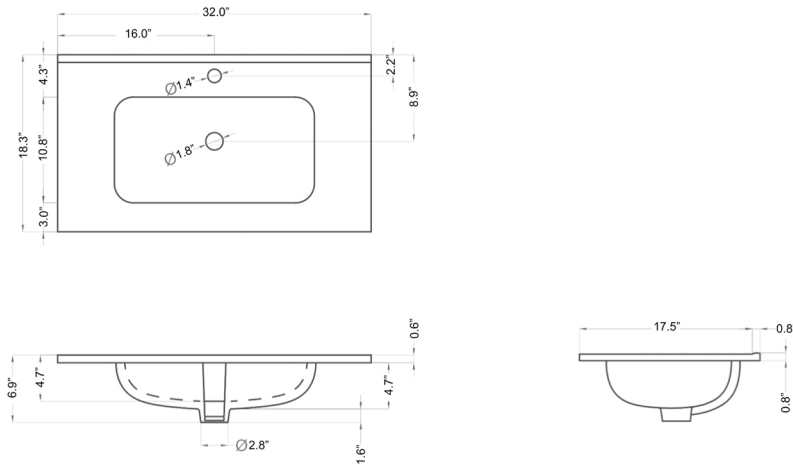
**WS**®  
**BATH**  
**COLLECTIONS**

1051 Lea Drive - Collegeville, PA 19426  
Tel. 215 513 9400 - Fax 610 831 0215

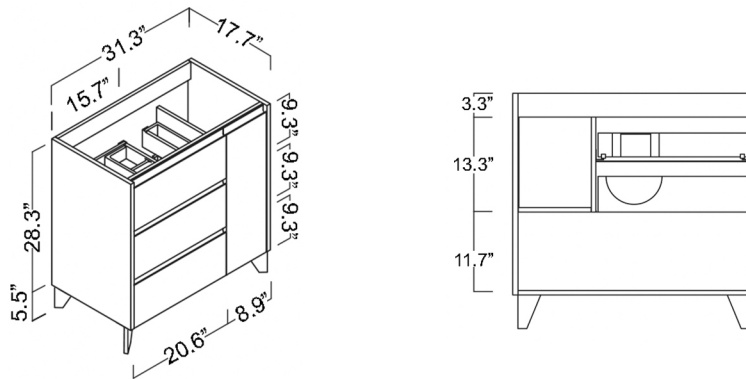
[www.ws bathcollections.com](http://www.ws bathcollections.com) - [info@ws bathcollectins.com](mailto:info@ws bathcollectins.com)

## Lila C80

### Sink



### Base Unit



### Technical information



Organizer unit.



Hettich sliding system.



Adjustable front.



Glossy lacquered finish.



Soft close.

- 3 adjustable drawers and door with silentslow closing and integrated handles.



Soft close.

- 22 mm MDF front / 19 mm MDF white finish. 19 mm side panels.

**Collection |**  
Lila

**Model |**  
Lila C80

**Dimensions Metric**

1 inch = 2.54 cm  
1 inch = 25.4 mm

**WS<sup>®</sup>**  
**BATH**  
**COLLECTIONS**

1051 Lea Drive - Collegeville, PA 19426  
Tel. 215 513 9400 - Fax 610 831 0215

[www.ws bathcollections.com](http://www.ws bathcollections.com) - [info@ws bathcollectins.com](mailto:info@ws bathcollectins.com)

We recommend the following items that work with your sink.

**Lila C80**

## TRAPS



**WSBC 53922**  
*Our best seller*

-  Polished Chrome  
WSBC 53922.29
-  Matte Black  
WSBC 53922.22
-  Glossy White  
WSBC 53922.09
-  Matte White  
WSBC 53922.26



**WSBC 5392**

-  Polished Chrome  
WSBC 5392.29



**WSBC 53925**

-  Polished Chrome  
WSBC 53925.29



**WSBC 53921**  
*Space saving*

-  Polished Chrome  
WSBC 53921.29
-  Matte Black  
WSBC 53921.22
-  Glossy White  
WSBC 53921.09
-  Matte White  
WSBC 53921.26

## **DRAINS**



**WSBC 53991**  
Push waste drain (click clack)  
*with overflow*

-  Polished Chrome  
WSBC 53991.29
-  Glossy White  
WSBC 53991.09
-  Glossy Black  
WSBC 53991.18
-  Matte White  
WSBC 53991.26
-  Matte Black  
WSBC 53991.22

## **MOUNTING HARDWARE**

### **Wall-Mount Installation**



Bolts

### **Vessel/Countertop Installation**



Silicone (optional)

**Collection |**  
Lila

**Model |**  
Lila C80

**Dimensions Metric**

*1 inch = 2.54 cm*  
*1 inch = 25.4 mm*



1051 Lea Drive - Collegeville, PA 19426  
Tel. 215 513 9400 - Fax 610 831 0215  
[www.ws bathcollections.com](http://www.ws bathcollections.com) - [info@ws bathcollectins.com](mailto:info@ws bathcollectins.com)