

Product Specs Sheets

Cover Page

Lila C70

Features




- Complete Vanity Unit
- Base Unit Available in 3 Finishes: Glossy White, Natural Oak, and Grey Pine
- Integrated Handles
- Free Standing Installation with Matte Aluminum Legs
- Three soft close drawers with organizer in upper drawer and one soft-closing door
- Includes integrated sink and vanity top in gloss white ceramic with faucet hole and overflow
- Fully assembled with structure and front made of engineered wood in wood finishes and high gloss lacquered
- Handle integrated in front of furniture
- Hidden hanging bracket directly assembled with great resistance and depth regulations
- Made in Spain



Related Items:

- WSBC 53991 | Push Waste Drain
- WSBC 53922 | Decorative Trap

Finishes:

-  Glossy White
-  Natural Oak
-  Grey Pine

SKU# | Options:

- Lila C70.101 WG | Glossy White
- Lila C70.101 NO | Natural Oak
- Lila C70.101 GP | Grey Pine

Codes & Standards:

- CARB2 Compliant and Certified
- TSCA Compliant and Certified

* WS Bath Collections reserves the right to revise dimensions or information on this sheet without notice

Collection |
Lila

Model |
Lila C70

Dimensions Metric

1 inch = 2.54 cm

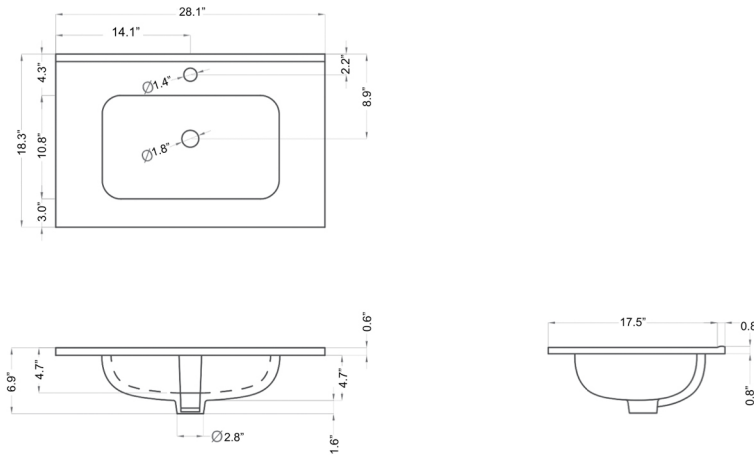
1 inch = 25.4 mm

WS®
BATH
COLLECTIONS

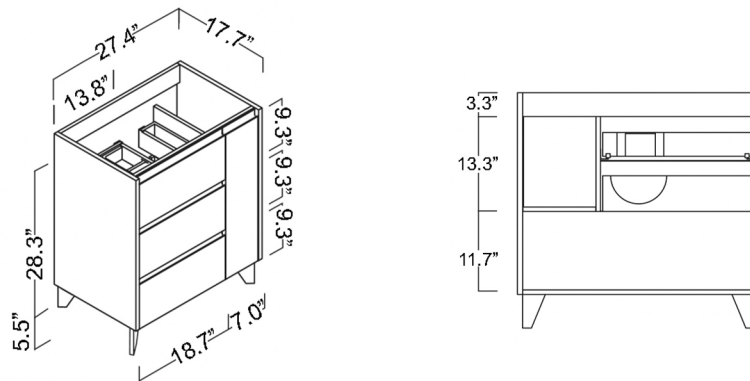
1051 Lea Drive - Collegeville, PA 19426
Tel. 215 513 9400 - Fax 610 831 0215

www.ws bathcollections.com - info@ws bathcollectins.com

Sink



Base Unit



Technical information



Organizer unit.



Hettich sliding system.



Adjustable front.



Glossy lacquered finish.



Soft close.

- 3 adjustable drawers and door with silentslow closing and integrated handles.
- 22 mm MDF front / 19 mm MDF white finish. 19 mm side panels.



Soft close.

Collection |
Lila

Model |
Lila C70

Dimensions Metric

1 inch = 2.54 cm
1 inch = 25.4 mm

WS®
BATH
COLLECTIONS

1051 Lea Drive - Collegeville, PA 19426
Tel. 215 513 9400 - Fax 610 831 0215

www.ws bathcollections.com - info@ws bathcollectins.com

We recommend the following items that work with your sink.

Lila C70

TRAPS



WSBC 53922
Our best seller

-  Polished Chrome
WSBC 53922.29
-  Matte Black
WSBC 53922.22
-  Glossy White
WSBC 53922.09
-  Matte White
WSBC 53922.26



WSBC 5392

-  Polished Chrome
WSBC 5392.29



WSBC 53925

-  Polished Chrome
WSBC 53925.29



WSBC 53921
Space saving

-  Polished Chrome
WSBC 53921.29
-  Matte Black
WSBC 53921.22
-  Glossy White
WSBC 53921.09
-  Matte White
WSBC 53921.26

DRAINS



WSBC 53991
Push waste drain (click clack)
with overflow

-  Polished Chrome
WSBC 53991.29
-  Glossy White
WSBC 53991.09
-  Glossy Black
WSBC 53991.18
-  Matte White
WSBC 53991.26
-  Matte Black
WSBC 53991.22

MOUNTING HARDWARE

Wall-Mount Installation



Bolts

Vessel/Countertop Installation



Silicone (optional)

Collection |
Lila

Model |
Lila C70

Dimensions Metric

1 inch = 2.54 cm

1 inch = 25.4 mm

WS[®]
BATH
COLLECTIONS

1051 Lea Drive - Collegeville, PA 19426
Tel. 215 513 9400 - Fax 610 831 0215

www.ws bathcollections.com - info@ws bathcollectins.com